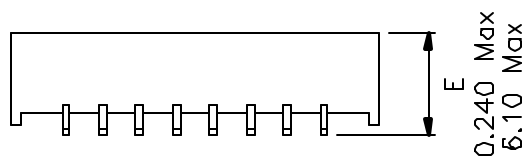
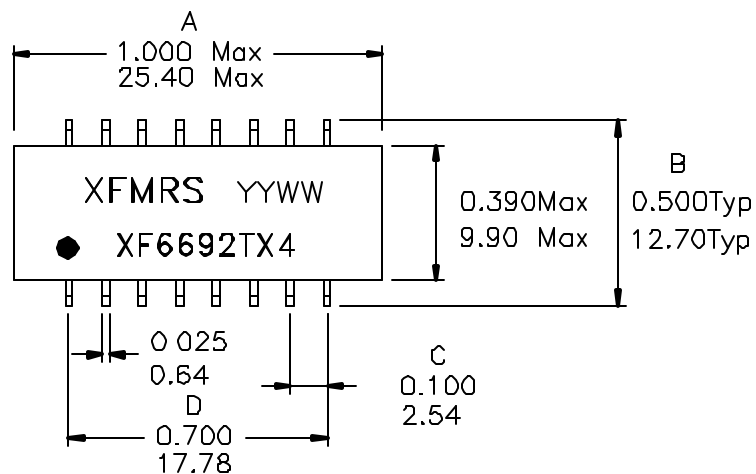
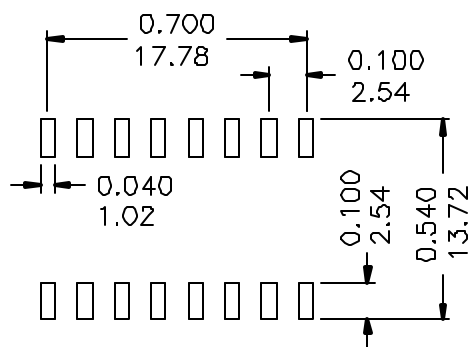
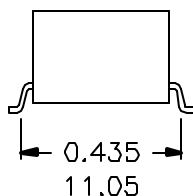


1. Dimensions:

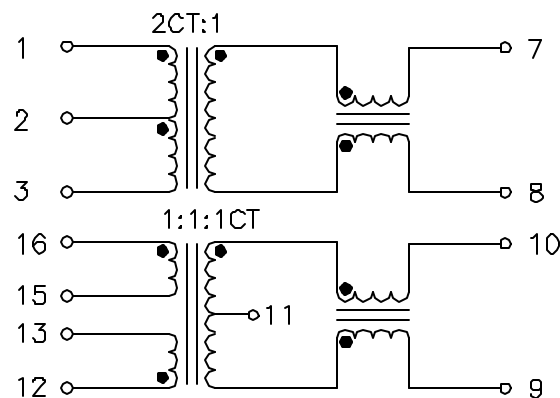


CO-PLANARITY \pm 0.004 Max
0.10 Max



SUGGESTED FOOTPRINT

2. Schematic:



3. Electrical Specifications: @25°C

Isolation Voltage: 1500 VAC (Input to Output)
 Turns Ratio: TX: 2CT:1 (\pm 2%) RX: 1:1:1CT (\pm 2%)
 (P7-8, P10-9)OCL: 350uH Min. @100KHz,100mV 8mADC
 (P1-3, P16-13)DCL: 1400uH Minimum @100KHz,100mV
 Rise Time (10-90%) 3.0ns Typ For reference only
 Insertion Loss (1-125MHz): -1.0dB Maximun
 Return Loss:
 100KHz-60MHz -15dB Typ.(Tx) / -17dB Typ.(Rx)
 60KHz-100MHz -11dB Typ.(Tx) / -15dB Typ.(Rx)

DOC REV: A/1

XFMRS Inc.	Title: 10/100BASE-TX MAGNETICS	
	UNLESS OTHERWISE SPECIFIED	P/N: XF6692TX4 REV. A
	TOLERANCES: .xxx \pm 0.010 Inch	DWN. 廖玉坤 Jul-29-00
	Dimensions in Inch/mm	CHK. 李清儿 Jul-29-00
SCALE 2:1 SHT 1 OF 1	APP. Joe Huff	Jul-29-00