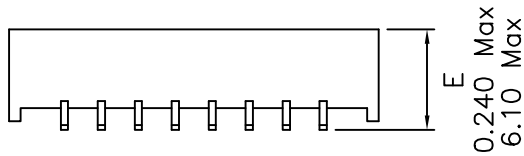
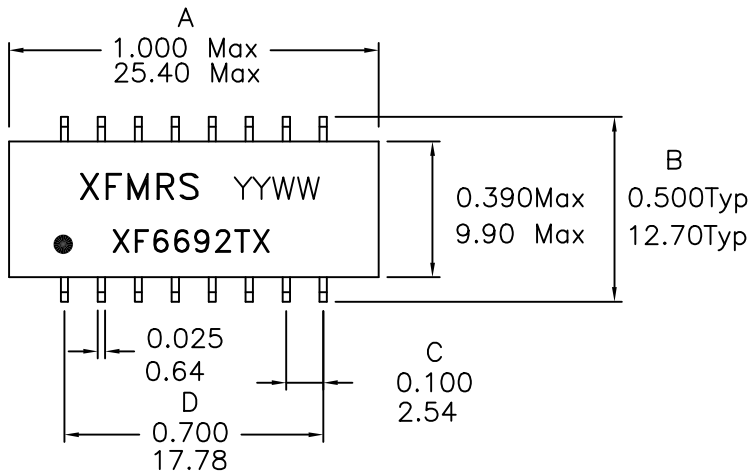
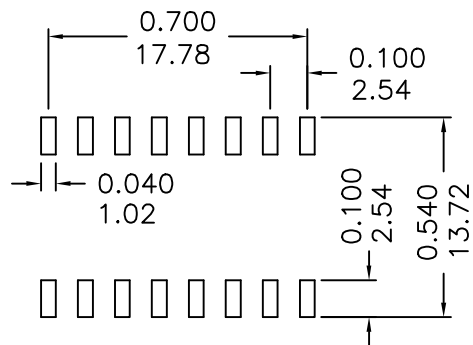
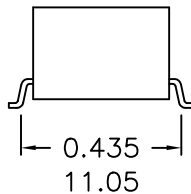


1. Dimensions:

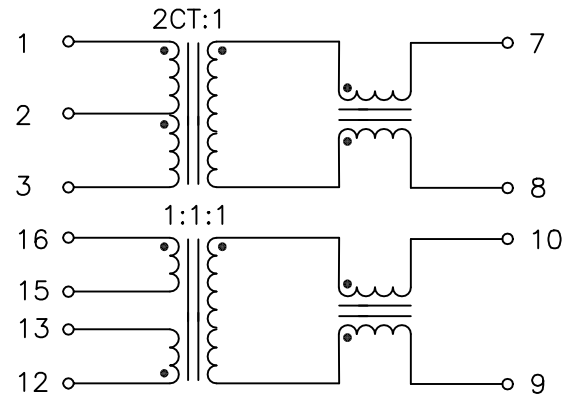


CO-PLANARITY \pm 0.004 Max
0.10 Max



SUGGESTED FOOTPRINT

2. Schematic:



3. Electrical Specifications: @25°C

Isolation Voltage: 1500 VAC (Input to Output)

Turns Ratio: TX: 2CT:1 (\pm 2%) RX: 1:1:1 (\pm 2%)

(P7-8, P10-9)OCL: 350uH Min. @100KHz,100mV 8mADC

(P1-3, P16-13)OCL: 1400uH Minimum @100KHz,100mV

Rise Time (10-90%) 3.0ns Typ For reference only

Insertion Loss (1-125MHz): -1.0dB Maximun

Return Loss:

100KHz-60MHz -15dB Typ.(Tx) / -17dB Typ.(Rx)

60KHz-100MHz -11dB Typ.(Tx) / -15dB Typ.(Rx)

DOC REV F/1

XFMR5 Inc.	Title: 10/100BASE-TX MAGNETICS		
	UNLESS OTHERWISE SPECIFIED	P/N: XF6692TX	REV. F
TOLERANCES: .xxx \pm 0.010 Inch Dimensions in Inch/mm	DWN.	廖玉坤	Jul-29-00
	CHK.	李清儿	Jul-29-00
SCALE 2:1 SHT 1 OF 1	APP.	Joe Huff	Jul-29-00