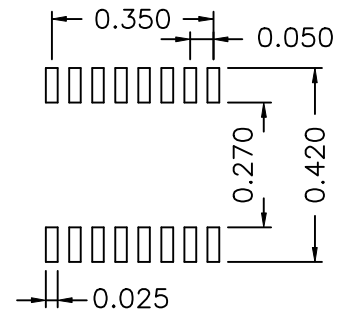
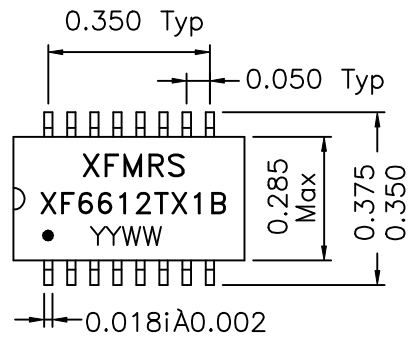
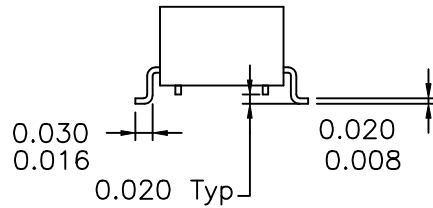
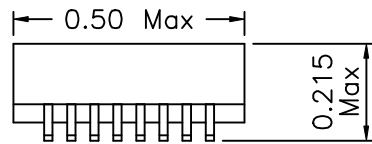
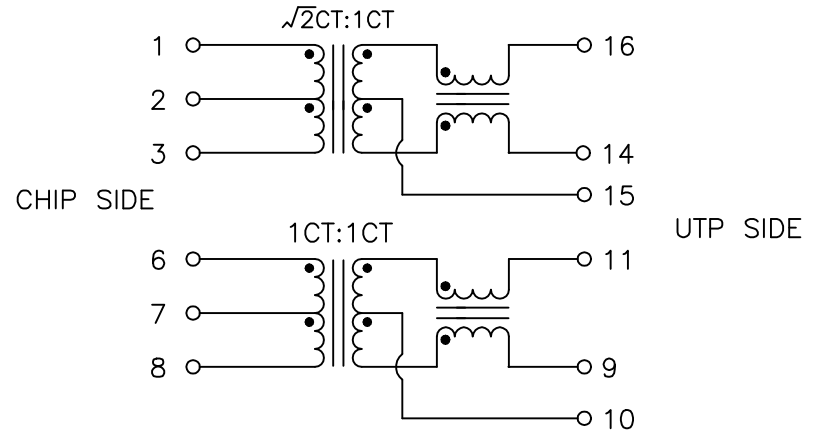


1. Dimensions:



SUGGESTED FOOTPRINT

2. Schematic:



3. Electrical Specifications: @25°C

Turns Ratio: TX 1.41CT:1CT (±2%) RX 1CT:1CT (±2%)
 Isolation Voltage: 1500 Vrms (Input to Output)
 UTP Side OCL: 350uH Minimum @100KHz, 100mV 8mADC
 Insertion Loss (0.3–100MHz): 1.0dB Maximum
 Return Loss (dB Typ):

30MHz	60MHz	80MHz
-16	-12	-10

Crosstalk (dB Max):

32MHz	62MHz	100MHz
-40	-35	-35

DOC. REV: A/1

XFMRS Inc. UNLESS OTHERWISE SPECIFIED TOLERANCES: .xxx ±0.010 Inch Dimensions in Inch/mm	Title: 10/100BASE-TX MAGNETICS	
	P/N: XF6612TX1B	REV. A
	DWN. 廖玉坤	Jan-19-00
	CHK. 李清儿	Jan-19-00
SCALE 2:1 SHT 1 OF 1	APP. Joe Huff	Jan-19-00