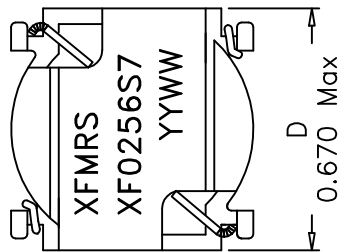
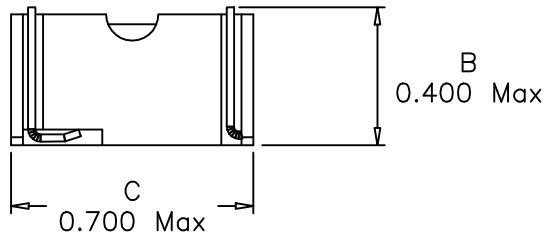
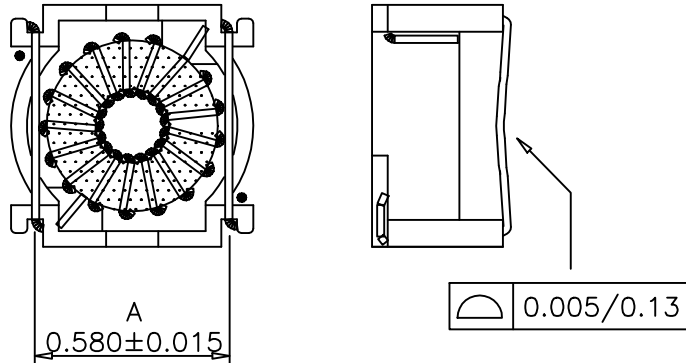
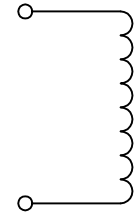


1. Mechanical:



2. Schematic:



3. Electrical Specifications: @25°C

DC Resistance: 0.032 Ohms Max
 OCL: 25.9uH±15% @ 10KHz, 0.1V NO DC
 OCL: 16.1uH Typical @ 10KHz, 0.1V 5.1Adc

Notes:

1. Solderability: Leads shall meet MIL-STD-202, Method 208D for solderability.
2. Flammability: UL94V-0
3. ASTM oxygen index: > 28%
4. Insulation System: Class F 155°C. UL file E151556
5. Operating Temperature Range: All listed parameters are to be within tolerance from -40°C to +85°C
6. Storage Temperature Range: -55°C to +125°C
7. Aqueous wash compatible

DOC. REV: A/2

XFMRS INC	Title: Surface Mount Inductor		
	UNLESS OTHERWISE SPECIFIED	P/N: XF0256S7	REV. A
TOLERANCES:	DWN.	李清儿	Jul-12-01
.xxx ±0.010	CHK.	孙小松	Jul-12-01
Dimensions in Inch/mm	APP.	Isaiah M	Jul-12-01
SHEET 1 OF 1			