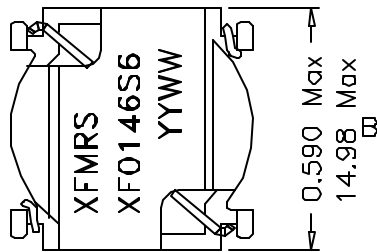
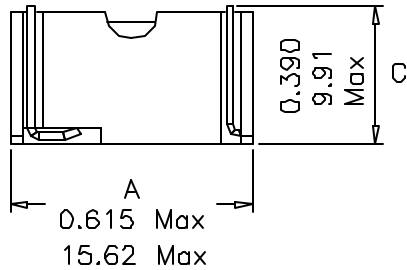
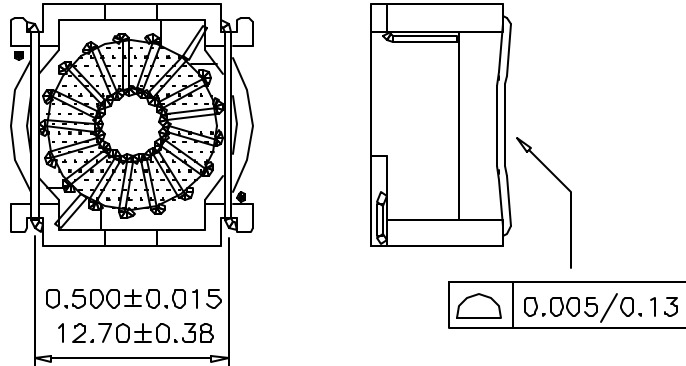
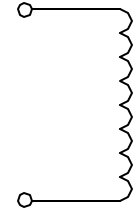


1. Mechanical:



2. Schematic:



3. Electrical Specifications: @25°C

DC Resistance: 0.023 Ohms Max  
 OCL: 14uH±10% @ 10KHz, 0.1V NO DC  
 OCL: 7uH Min @ 10KHz, 0.1V 5.5Adc

Notes:

1. Solderability: Leads shall meet MIL-STD-202, Method 208D for solderability.
2. Flammability: UL94V-0
3. ASTM oxygen index, > 28%
4. Insulation System: Class F 155°C UL file E151556
5. Operating Temperature Range: All listed parameters are to be within tolerance from -40°C to +85°C
6. Storage Temperature Range: -55°C to +125°C
7. Aqueous wash compatible

DOC. REV: A/2

XFMRS INC	Title: Surface Mount Inductor		
	UNLESS OTHERWISE SPECIFIED TOLERANCES: .xxx ±0.010 Dimensions in Inch/mm		P/N: XFO146S6
	DWN.	李清儿	Mar-31-00
	CHK.	孙小松	Mar-31-00
	APP.	Joe Huff	Mar-31-00