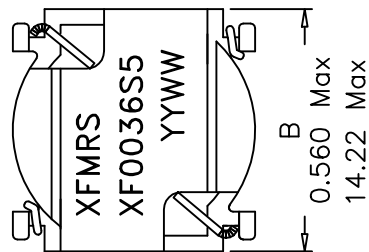
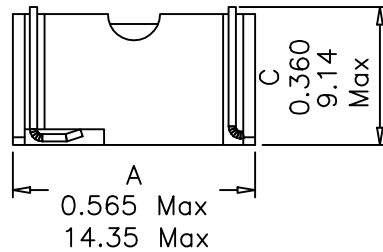
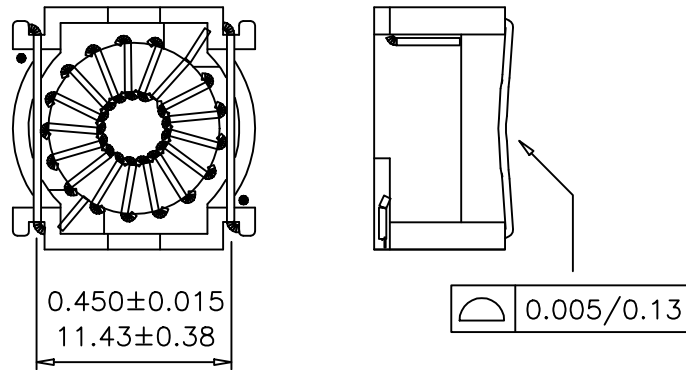
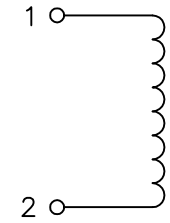


1. Mechanical:



2. Schematic:



3. Electrical Specifications: @25°C

DC Resistance: 0.0083 ohms Maximum

OCL: 3.8 uH TYP @10KHz 0.1V

OCL: 2.5uH TYPICAL @1.0KHz 1.0V 8 ADC

Note:

1. Solderability: Leads shall meet MIL-STD-202, Method 208D for solderability.
2. Flammability: UL94V-0,
3. ASTM oxygen index: > 28% ,
4. Temperature rating: 155°C. UL file E151556,
5. Operating Temperature Range: -40°C to +85°C
6. NO VARNISH REQUIRED

DOC. REV: A/2

XFMR5 INC	Title: Surface Mount Inductor	
	P/N: XF0036S5	REV. A
UNLESS OTHERWISE SPECIFIED TOLERANCES: .xxx ±0.010 Dimensions in Inch/mm	DWN. 廖玉坤	Mar-04-01
	CHK. 李清儿	Mar-04-01
SHEET 1 OF 1	APP. Joe Huff	Mar-04-01