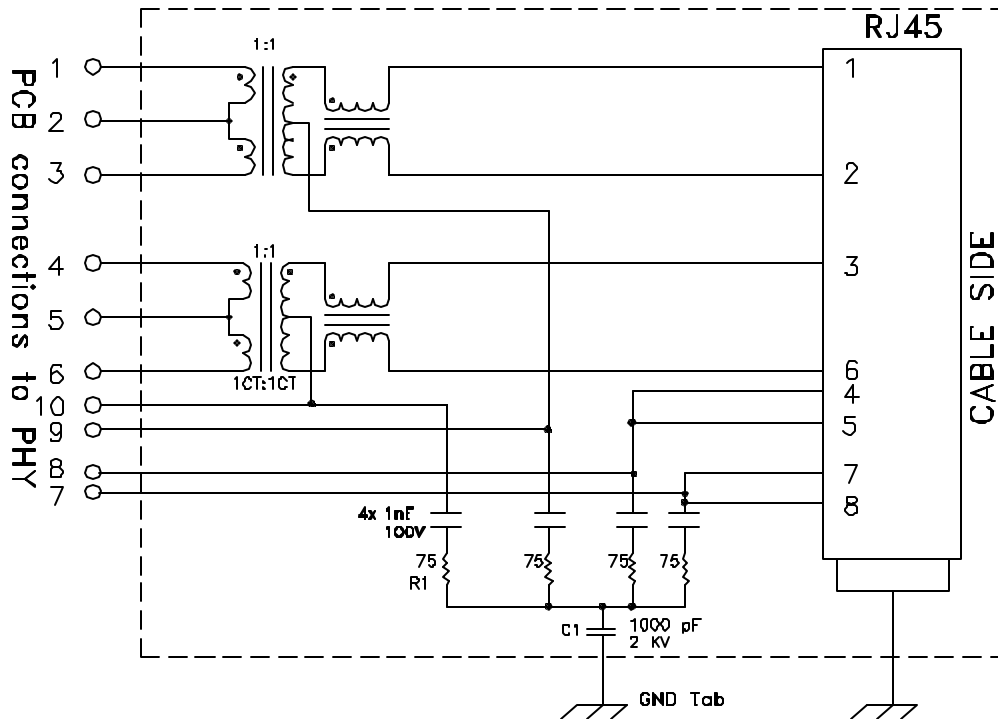


**Schematic:**



**Electrical Specifications: @25°C**

- Isolation Voltage: 1500 VAc (Input to Output)
- Turns Ratio: TX 1CT:1CT ±3% RX 1CT:1CT ±3%
- Insertion Loss(TX/RX): -1.0dB Typ @1-100 MHz
- Return Loss: 1-10MHz 30MHz 60-80MHz  
 -20dB -16dB -12dB (Typ)
- Cross Talk: 1-10MHz 30MHz 60-80MHz  
 -40dB -35dB -30dB (Typ)
- Common Mode Rejection: 1-50MHz 50-130MHz  
 -26dB -20dB(Typ)
- DC Current: 350mA

**Notes:**

1. Solderability: Leads shall meet MIL-STD-2026, Method 208H for solderability.
2. Flammability: UL94V-0
3. ASTM oxygen index: > 28%
4. Insulation System: Class F 155°C, UL file E151556
5. Operating Temperature Range: All listed parameters are to be within tolerance from -40°C to +85°C
6. Storage Temperature Range: -55°C to +125°C
7. Aqueous wash compatible
8. Electrical and mechanical specifications 100% tested
9. RoHS Compliant Component

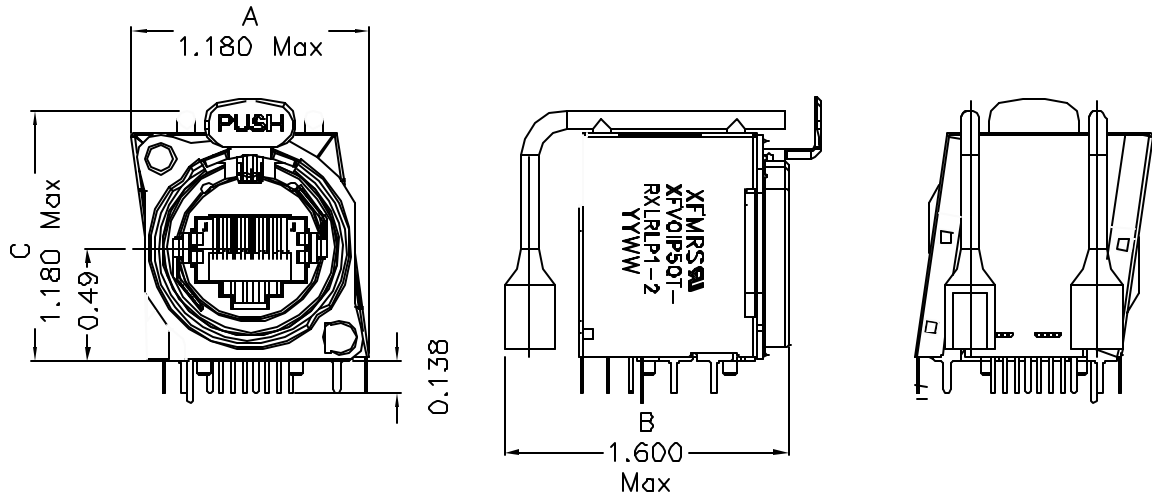
DOC. REV: A/2

<b>XFMRs Inc.</b> www.XFMRs.com	Title: <b>SINGLE PORT XLR COMBO</b>		
	UNLESS OTHERWISE SPECIFIED		P/N: XFVOIP5QT-RXLRLP1-2
TOLERANCES:	DWN.	Xiany	Oct-25-08
.xxx ±0.010	CHK.	YK Liao	Oct-25-08
Dimensions in Inch	APP.	BW	Oct-25-08
SHEET 1 OF 2			

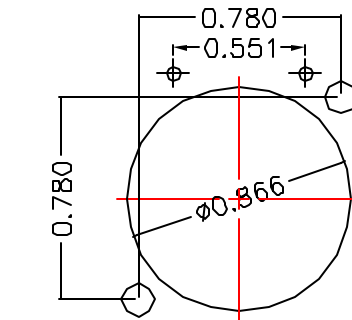
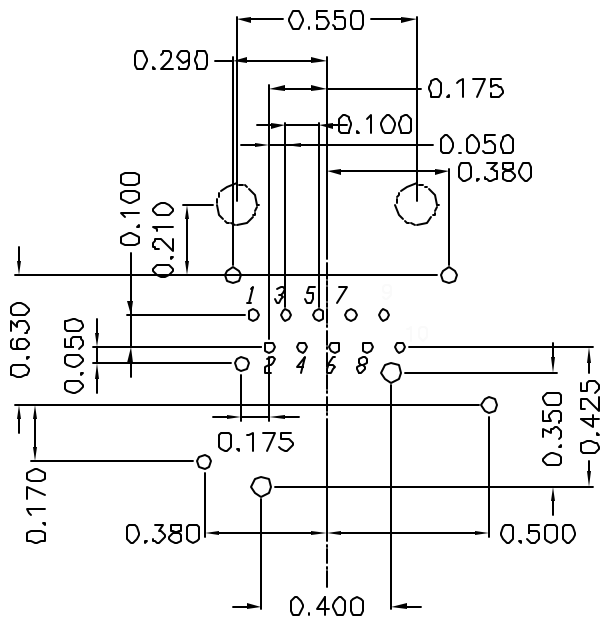
**PROPRIETARY:**

Document is the property of XFMRs Group & is not allowed to be duplicated without authorization.

**Mechanical Dimensions:**



**Mounting Pattern:**



Panel cut out(rear side)

SUGGESTED MOUNTING PATTERN (COMPONENT SIDE)

DOC. REV: A/2

<b>XFMRs Inc.</b> www.XFMRs.com	Title: Mechanical Dimensions For RXLRP1-2 Series		
	P/N: XFVDIP5QT-RXLRP1-2	REV. A	
UNLESS OTHERWISE SPECIFIED TOLERANCES: .xxx ±0.010 Dimensions in Inch	DWN.	Xiany	Oct-25-08
SHEET 2 OF 2	CHK.	YK Liao	Oct-25-08
	APP.	BW	Oct-25-08

**PROPRIETARY:**

Document is the property of XFMRs Group & is not allowed to be duplicated without authorization.