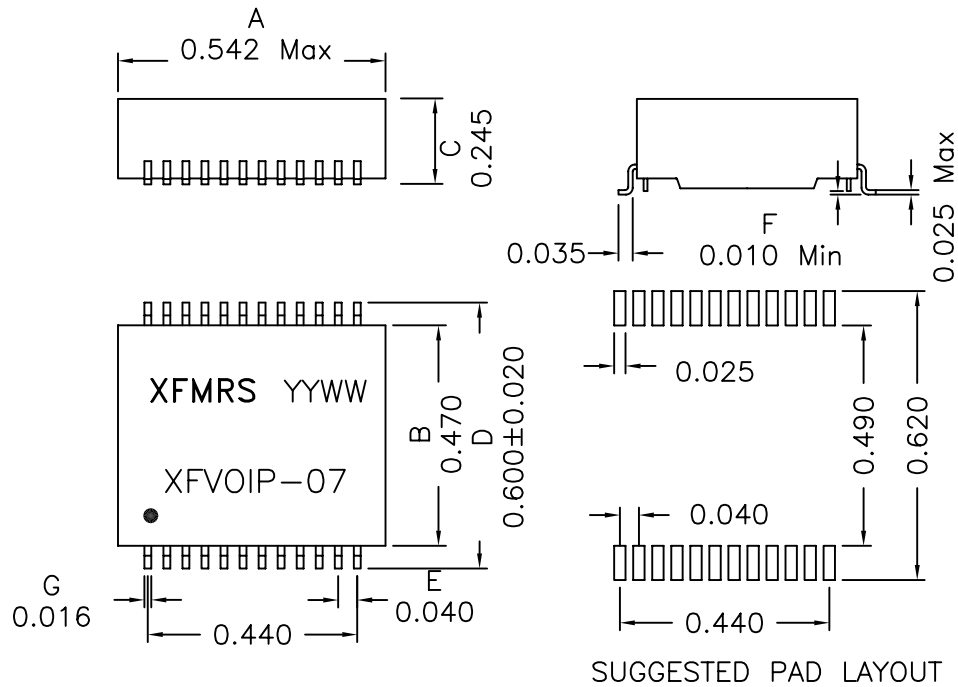
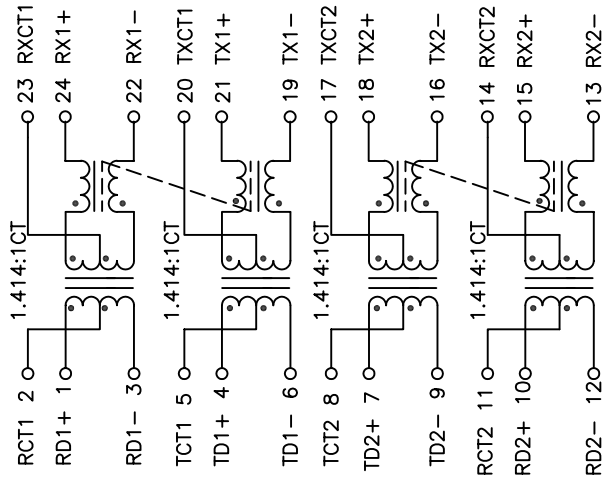


1. Dimensions:



2. Schematic:



DOC. REV: A/1

3. Electrical Specifications: @25°C

ISOLATION: 1500 Vrms
 INSERTION LOSS: -1.2dB MAX @1MHz-100MHz
 PRI OCL: 350 uH Min @100KHz 100mV 8mADC
 CWW: 25pF Typ @100KHz, 0.1V Pri to Sec
 PRI DCR: 0.900 Ohms Max
 RETURN LOSS: 16dB Min @1-30MHz
 14dB Min @40MHz
 13dB Min @50MHz
 12dB Typ @60-80MHz
 Differential to Common Mode Rejection:
 -50dB Min @30MHz
 -43dB Min @60MHz
 -35dB Min @100MHz
 Crosstalk: -45dB Min @30MHz
 -40dB Min @60MHz
 -35dB Min @100MHz
 Rated Current: 350mA

PRELIMINARY

Notes:

1. Solderability: Leads shall meet MIL-STD-202, Method 208D for solderability.
2. Flammability: UL94V-0
3. ASTM oxygen index: > 28%
4. Insulation System: Class F 155°C. UL file E151556
5. Operating Temperature Range: All listed parameters are to be within tolerance from -40°C to +85°C
6. Storage Temperature Range: -55°C to +125°C
7. Aqueous wash compatible

| | | | |
|----------------------|---|----------------|-----------|
| XFMRS Inc | Title: 10/100TX DUAL MAGNETICS MODULES | | |
| | UNLESS OTHERWISE SPECIFIED TOLERANCES: .xxx ±0.010 Dimensions in INCH | P/N: XFVOIP-07 | REV. A |
| | DWN. | 刘 鹏 | Jun-19-03 |
| | CHK. | 李小锋 | Jun-19-03 |
| SCALE 2:1 SHT 1 OF 1 | APP. | MS | Jun-19-03 |