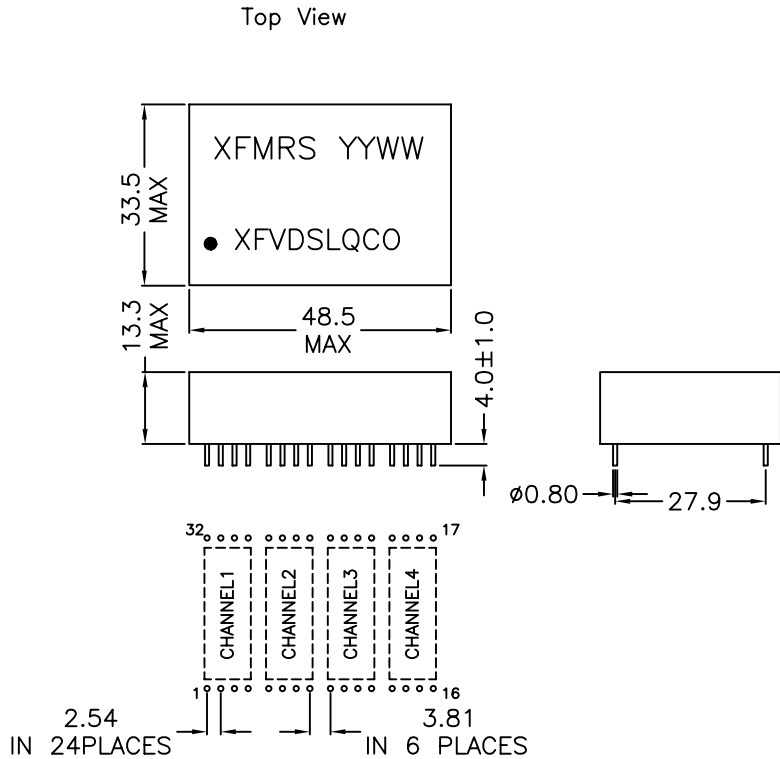
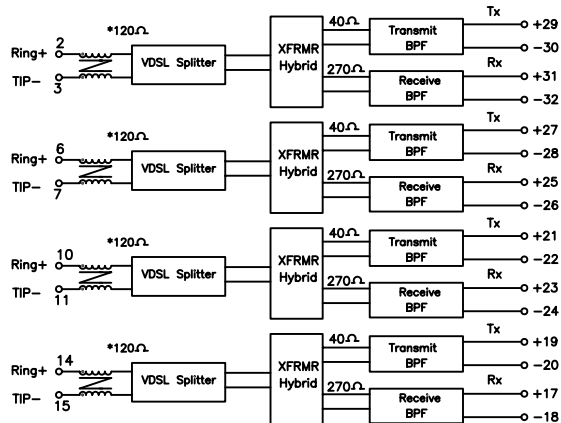


## 1. Mechanical Dimensions:



## 2. Schematic:



## 3. Electrical Specifications: @25°C

Description	Insertion Loss (Max)	Stopband Frequency	Attenuation (Min)	Impedance
Line to RX	2.0 dB	10KHz-220KHz	60 dB	270 Ohms
		1MHz-3.4MHz	17 dB	
		5.7MHz-8.1MHz	17 dB	
Line to TX	1.5 dB	10KHz-150KHz	40 dB	40 Ohms
		22MHz-40MHz	22 dB	
		26MHz-40MHz	26 dB	

Line Return Loss: 12dB Min, @4MHz-5.04MHz & 9.1MHz-11.9MHz  
VDSL Hybrid Loss: 37dB Min, @1MHz-3.4MHz & 5.7MHz-8.1MHz  
VDSL Hybrid Loss: 20dB Min, @4MHz-5.04MHz & 9.1MHz-11.9MHz  
Hypot: 1500Vrms

**PRELIMINARY**

### Notes:

- Solderability: Leads shall meet MIL-STD-202, Method 208D for solderability.
- Flammability: UL94V-0
- ASTM oxygen index: > 28%
- Temperature rating: 155°C. UL file E151556
- Operating Temperature Range: 0°C to +70°C

<b>XFMRs Inc</b>	Title: <b>4-BAND VDSL FILTER/HYBRID SOLUTION</b>	
	UNLESS OTHERWISE SPECIFIED TOLERANCES: .xx ±0.30 Dimensions in MM	P/N: XfvDSLQCO REV. A
	DWN.	李小锋 Dec-10-02
	CHK.	廖玉坤 Dec-10-02
	APP.	Isaiah M Dec-10-02

DOC. REV. A/3