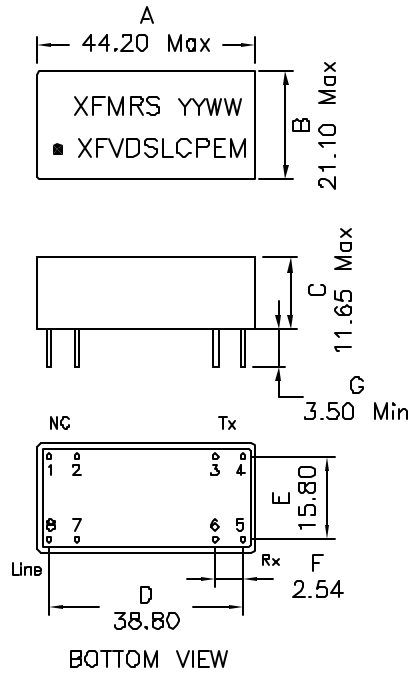
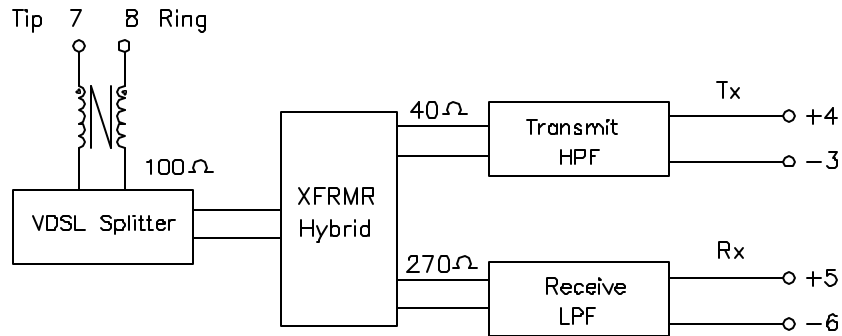


1. Dimensions:



2. Schematic:



3. Electrical Specifications: @25°C

Description	Passband Frequency	Insertion Loss (Max)	Return Loss (Min)	Stopband Frequency	Attn. (Min)	Impedance
VDSL Splitter/Hybrid	900KHz-7.9MHz	15dB TYP	10 dB	20KHz-150KHz	60 dB	100 Ohms
RX LPF	900KHz-3.0MHz	4.0 dB MAX	12 dB	4.5MHz-7.9MHz	50 dB	270 Ohms
TX HPF	4.5MHz-7.9MHz	4.0dB MAX	10 dB	900KHz-3.0MHz	10 dB	40 Ohms

Notes:

1. Solderability: Leads shall meet MIL-STD-202, Method 208D for solderability.
2. Flammability: UL94V-0
3. ASTM oxygen index: > 28%
4. Insulation System: Class F 155°C. UL file E151556
5. Operating Temperature Range: All listed parameters are to be within tolerance from 0°C to +85°C
6. Storage Temperature Range: -55°C to +125°C
7. Aqueous wash compatible

DOC. REV. A/1

XFMRs Inc UNLESS OTHERWISE SPECIFIED TOLERANCES: .xx ±0.25 Dimensions in MM	Title: VDSL FILTER/HYBRID SOLUTION	
	P/N: XFVDSLCPPEM REV. A	
	DWN.	刘鹏 Jan-02-03
	CHK.	李小锋 Jan-02-03
APP.	BW Jan-02-03	SHT 1 OF 1