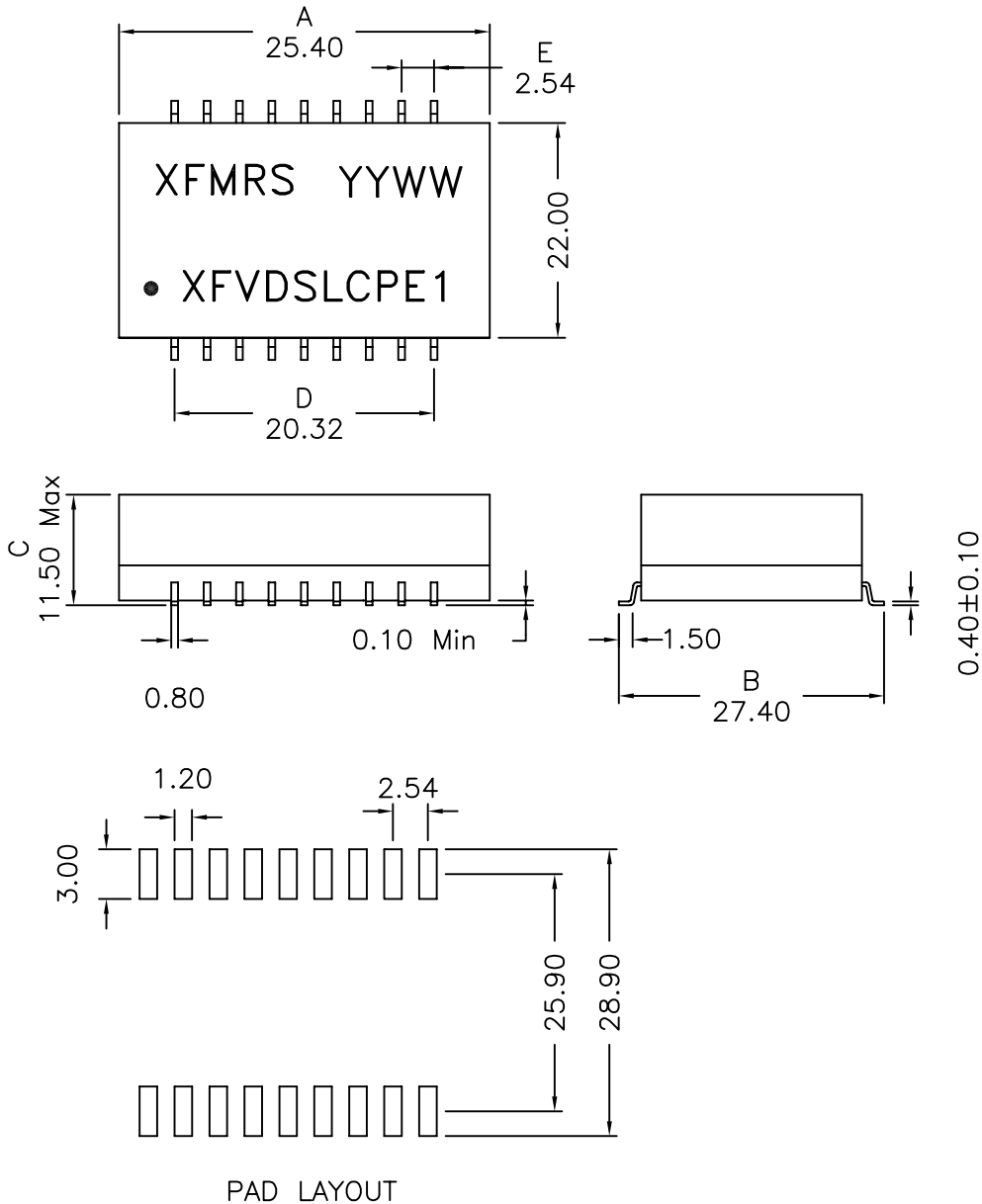
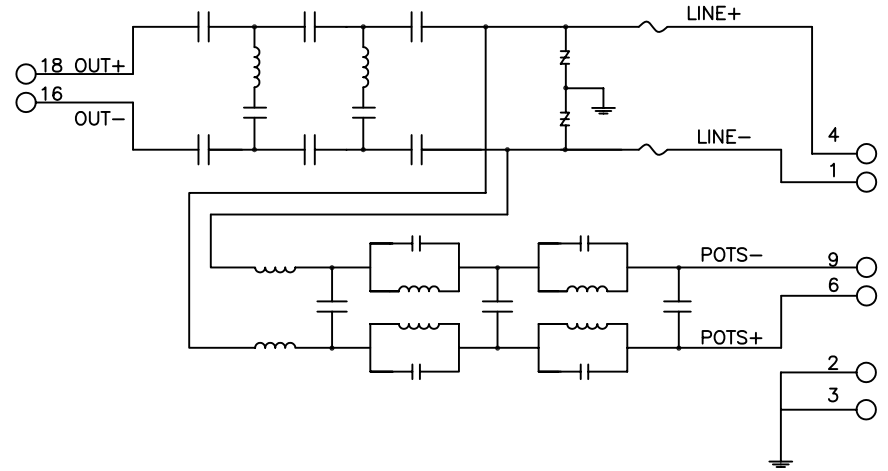


### 1. Mechanical Dimensions:



### 2. Schematic:



### 3. Electrical Specifications:

Description	Passband Frequency	Insertion Loss (Max)	Stopband Frequency	Attn. (Min)	Impedance
LPF	DC-120KHz	1.5 dB	220KHz>	50 dB	100 Ohms
HPF	200KHz>	1.8 dB	DC-100KHz	50 dB	100 Ohms

#### Notes:

- Solderability: Leads shall meet MIL-STD-202, Method 208D for solderability.
- Flammability: UL94V-0
- ASTM oxygen index: > 28%
- Insulation System: Class F 155°C. UL file E151556
- Operating Temperature Range: -40°C to +85°C

<b>XFMRS INC.</b>	Title: BANDPASS FILTER	
	UNLESS OTHERWISE SPECIFIED TOLERANCES: .xx ±0.25 Dimensions in MM	P/N: XFDVSLCPE1 REV. A
	DWN.	李小锋 Mar-06-03
	CHK.	廖玉坤 Mar-06-03
	APP.	Isaiah M Mar-06-03

DOC. REV: A/4