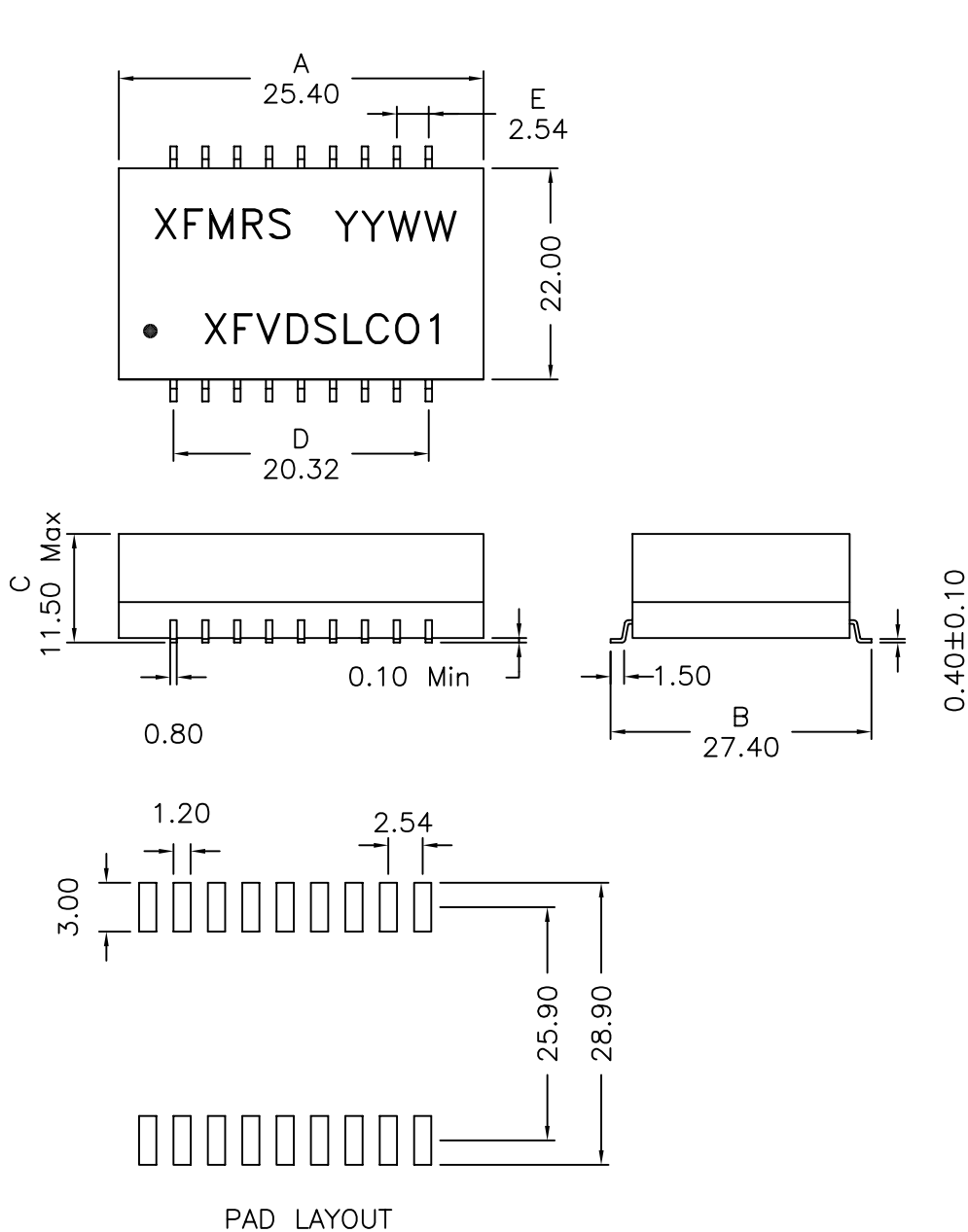
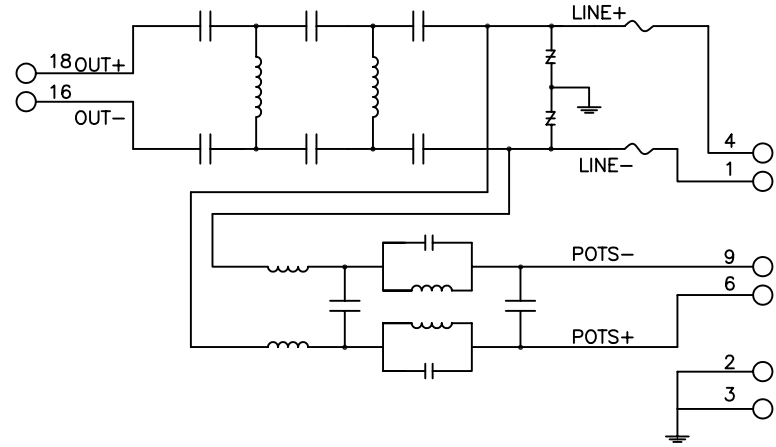


## 1. Mechanical Dimensions:



## 2. Schematic:



## 3. Electrical Specifications:

Description	Passband Frequency	Insertion Loss (Max)	Stopband Frequency	Attn. (Min)	Impedance
LPF	DC-100KHz	1.8 dB	180KHz>	50 dB	100 Ohms
HPF	160KHz>	1.5 dB	DC-55KHz	50 dB	100 Ohms

### Notes:

1. Solderability: Leads shall meet MIL-STD-202, Method 208D for solderability.
2. Flammability: UL94V-0
3. ASTM oxygen index: > 28%
4. Insulation System: Class F 155°C. UL file E151556
5. Operating Temperature Range: -40°C to +85°C

<b>XFMRS INC.</b>	Title: BANDPASS FILTER		
	UNLESS OTHERWISE SPECIFIED TOLERANCES: .xxx ±0.25 Dimensions in MM		P/N: XFDVSLC01 REV. A
	DWN.	李小锋	Mar-06-03
	CHK.	廖玉坤	Mar-06-03
	APP.	Isaiah M	Mar-06-03

DOC. REV: A/5