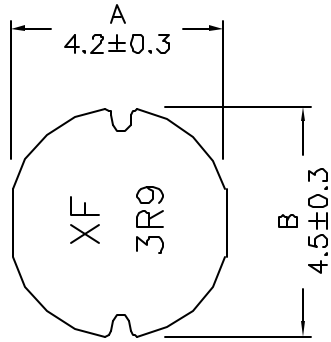
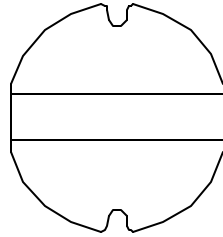


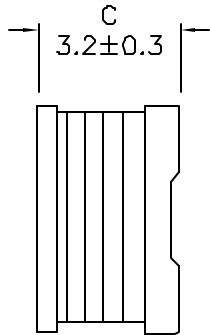
1. Mechanical Dimensions:



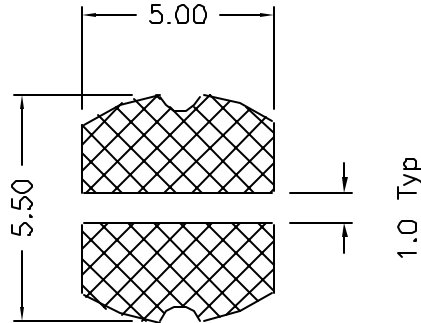
TOP VIEW



BOTTOM VIEW



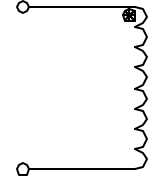
SIDE VIEW



SUGGESTED PAD LAYOUT

1.0 Typ

2. Schematic:



3. Electrical Specifications:

OCL: 3.90uH±20% @100KHz 0.1V

DCR: 0.076 Ohms Max

IDC: 1.98Adc Max

Notes:

1. Solderability: Leads shall meet MIL-STD-202, Method 208D for solderability.
2. Flammability: UL94V-0
3. ASTM oxygen index: > 28%
4. Insulation System: Class F 155°C. UL file E151556
5. Operating Temperature Range: All listed parameters are to be within tolerance from -40°C to +85°C
6. Storage Temperature Range: -55°C to +125°C
7. Aqueous wash compatible

DOC REV: A/1

PROPRIETARY

Document is the property of XFMRS Group & is not allowed to be duplicated without authorization.

XFMRS Inc	Title: INDUCTOR	
	P/N: XFSDR43-3R9M	REV. A
UNLESS OTHERWISE SPECIFIED TOLERANCES: .xx ±0.30 Dimensions in MM SHT 1 OF 1	DWN.	李小锋 May-27-04
	CHK.	康玉坤 May-27-04
	APP.	J Ng May-27-04