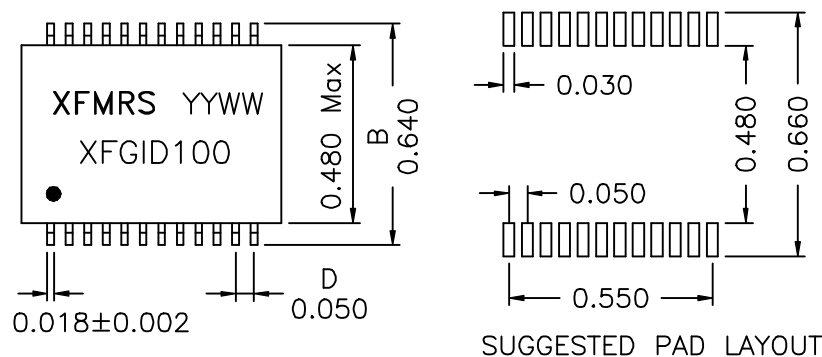
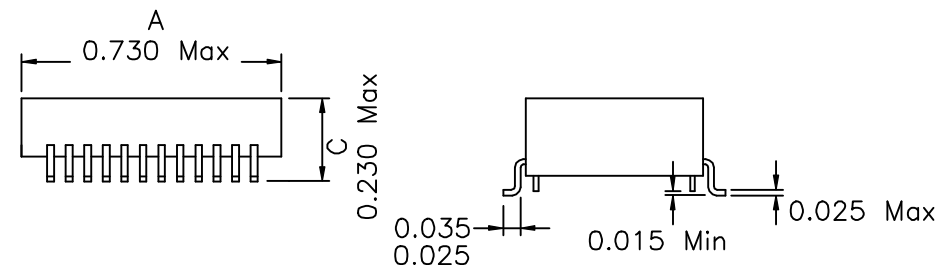
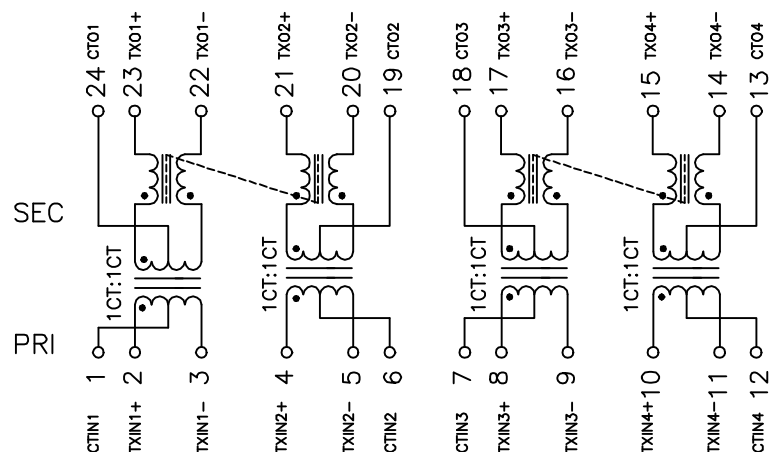


1. Dimensions:



2. Schematic:



3. Electrical Specifications: @25°C

- ISOLATION: 1500 Vrms
- TURNS RATIO: (PRI/SEC) 1CT:1CT ±3%
- OCL: 350uH MIN @100KHz 100mV 8mADC
- INSERTION LOSS: -1.2dB Typ @100KHz-125MHz
- RETURN LOSS: -18dB Min @2-30MHz
-12dB Min @60-80MHz
- CMRR: -40dB Typ @1-60MHz
- CMRR: -35dB Typ @60-100MHz
- Crosstalk: -33dB Min @1-100MHz between all sections

Note:

1. Solderability: Leads shall meet MIL-STD-202, Method 208D for solderability.
2. Flammability: UL94V-0
3. ASTM oxygen index: > 28%
4. Temperature rating: 155°C. UL file E151556
5. Operating Temperature Range: 0°C to +70°C

PRELIMINARY

DOC. REV: A/1

XFMRs Inc	Title: 1000BASE-T Modules	
	P/N: XFGID100	REV. A
UNLESS OTHERWISE SPECIFIED TOLERANCES: .xxx ±0.010 Dimensions in INCH	DWN.	廖玉坤 Oct-11-01
	CHK.	李清儿 Oct-11-01
	APP.	Joe Huff Oct-11-01