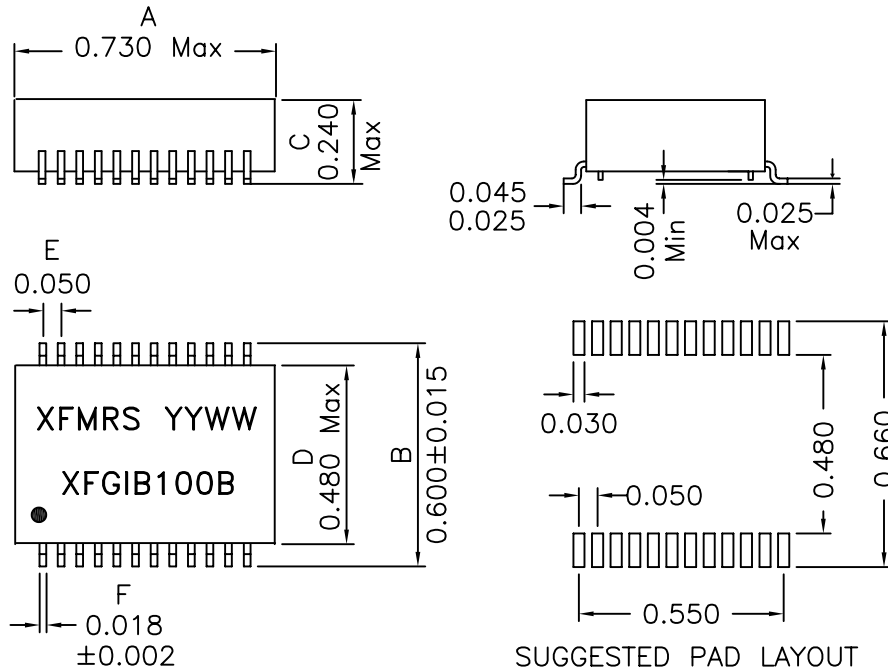
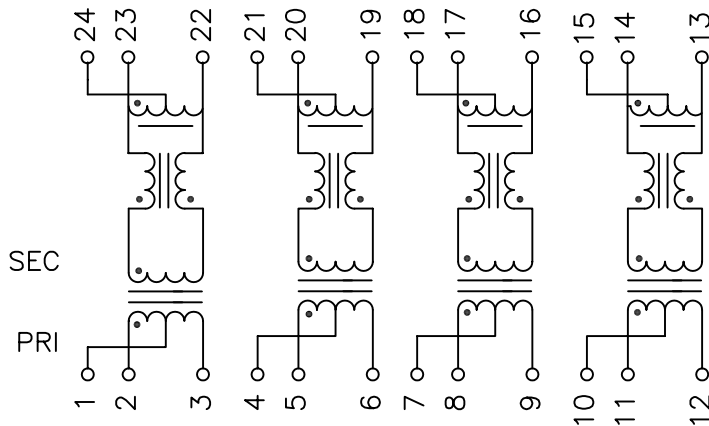


1. Mechanical Dimensions:



2. Schematic:



DOC. REV: B/3

3. Electrical Specifications: @25°C

- ISOLATION: 1500 Vrms
- URNS RATIO: (PRI/SEC) 1CT:1CT ±2%
- SEC OCL: 350uH MIN @100KHz 100mV 8mADC
- Q: 5 Min @10KHz 50mV
- Rise Time: 1.75ns Max.
- INSERTION LOSS: -1.0dB MAX @1MHz-80MHz
 -1.1dB MAX @80-100MHz
 -1.5dB MAX @100-125MHz
- RETURN LOSS: 18dB Min @1-10MHz
 15dB Min @30MHz
 12dB Min @80MHz
 10dB Min @100MHz
- Common to Common Rejection:
 -60dB Min @1MHz
 -40dB Min @30MHz
 -35dB Min @80MHz
 -30dB Min @100MHz
- CMRR: -30dB Min @1-60MHz
- Crosstalk: -40dB Min @1-30MHz
 -30dB Min @100MHz

Notes:

1. Solderability: Leads shall meet MIL-STD-202G, Method 208H for solderability.
2. Flammability: UL94V-0
3. ASTM oxygen index: > 28%
4. Insulation System: Class F 155°C. UL file E151556
5. Operating Temperature Range: All listed parameters are to be within tolerance from -40°C to +85°C
6. Storage Temperature Range: -55°C to +125°C
7. Aqueous wash compatible
8. SMD Lead Coplanarity: ±0.004”(0.102mm)
9. Electrical and mechanical specifications 100% tested
10. RoHS Compliant Component

XFMRs Inc www.XFMRs.com	Title: 1000BASE-T Modules		
	UNLESS OTHERWISE SPECIFIED	P/N: XFGIB100B	REV. A
TOLERANCES: .xxx ±0.010	DWN.	Feng	Aug-01-11
Dimensions in INCH	CHK.	YK Liao	Aug-01-11
SHT 1 OF 1	APP.	BW	Aug-01-11

PROPRIETARY

Document is the property of XFMRs Group & is not allowed to be duplicated without authorization.