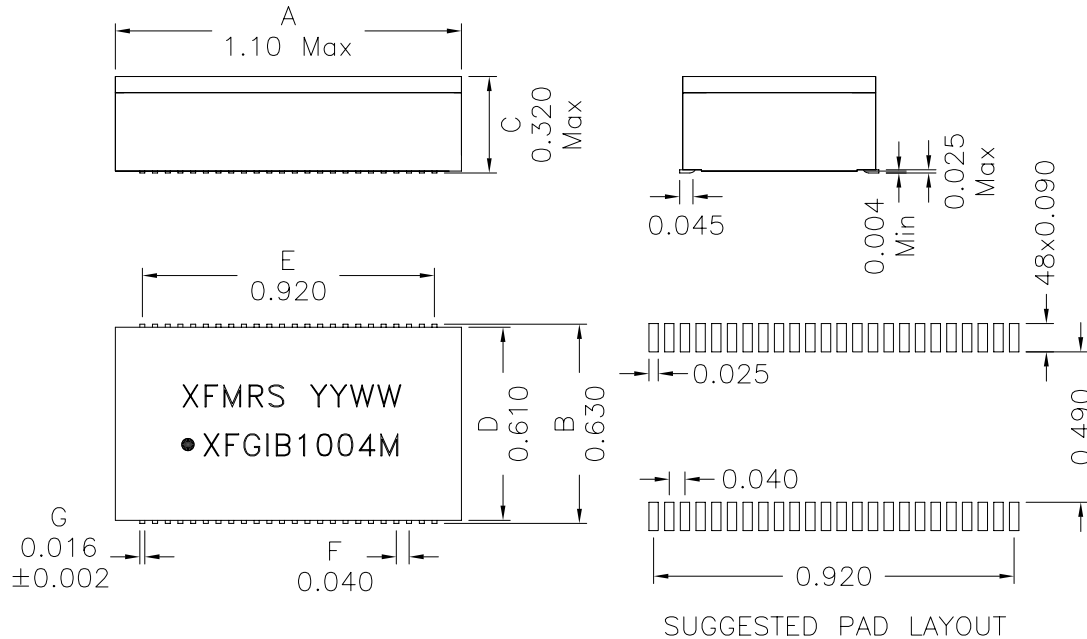


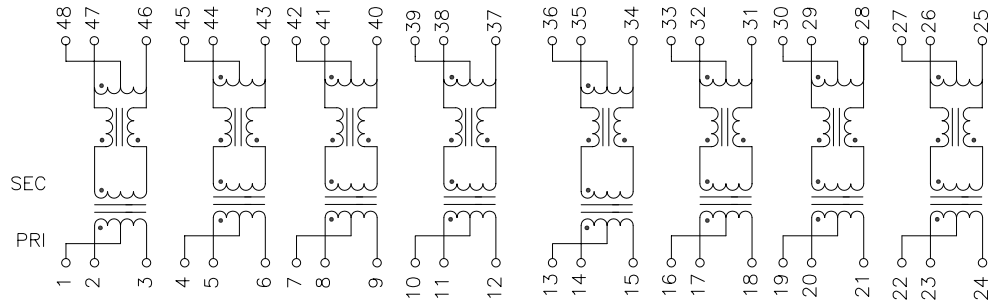
1. Mechanical Dimensions:



3. Electrical Specifications: @25°C

ISOLATION: 1500 Vrms
 TURNS RATIO: (PRI/SEC) 1CT:1 ±2%
 OCL(Pri): 350uH MIN @100KHz 100mV 8mADC
 Rise Time: 1.75ns Max.
 INSERTION LOSS: -1.0dB MAX @1MHz-100MHz
 RETURN LOSS: -18dB Min @1-30MHz
 -18dB Min @40MHz, -16dB Min @50MHz
 -12dB Min @60-80MHz, -10dB Min @100MHz
 Differential to Common Mode Rejection:
 -43dB Min @30MHz -37dB Min @60MHz
 -33dB Min @100MHz
 CMRR: -30dB Min @1-100MHz
 Crosstalk: -45dB Min @30MHz
 -40dB Min @60MHz, -35dB Min @100MHz
 Q: 5 Min @10KHz 50mV

2. Schematic:



Notes:

1. Solderability: Leads shall meet MIL-STD-202G, Method 208H for solderability.
2. Flammability: UL94V-0
3. ASTM oxygen index: > 28%
4. Insulation System: Class F 155°C. UL file E151556
5. Operating Temperature Range: All listed parameters are to be within tolerance from -40°C to +85°C
6. Storage Temperature Range: -55°C to +125°C
7. Aqueous wash compatible
8. SMD Lead Coplanarity: ±0.004"(0.102mm)
9. Electrical and mechanical specifications 100% tested
10. RoHS Compliant Component

DOC. REV: B/1

XFMRs Inc. www.XFMRs.com	Title: 1000BASE-T Modules			
	UNLESS OTHERWISE SPECIFIED TOLERANCES: .xxx ±0.010	P/N: XFGIB1004M	REV. B	
Dimensions in INCH	DWN.	Feng	Aug-16-11	
SHT 1 OF 1	CHK.	YK Liao	Aug-16-11	
	APP.	BW	Aug-16-11	