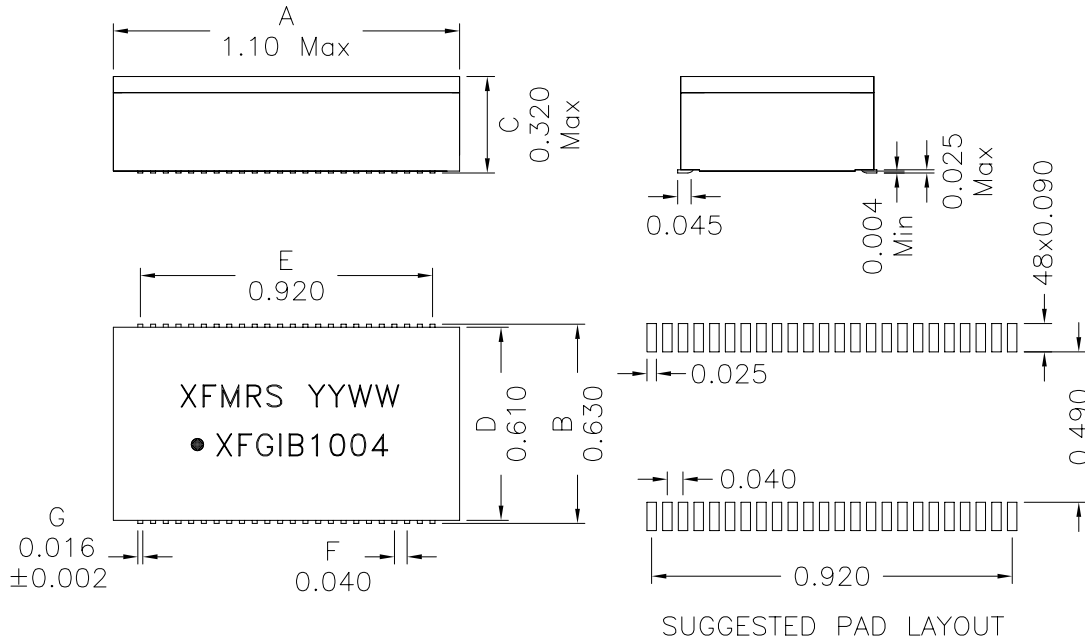
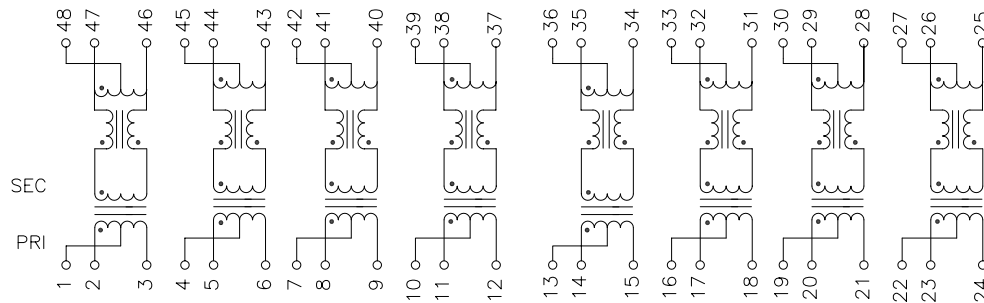


1. Mechanical Dimensions:



2. Schematic:



3. Electrical Specifications: @25°C

ISOLATION: 1500 Vrms

TURNS RATIO: (PRI/SEC) 1CT:1 ±2%

OCL(Pri): 350uH MIN @100KHz 100mV 8mADC

Rise Time: 1.75ns Max.

INSERTION LOSS: -1.4dB MAX @1MHz-100MHz

RETURN LOSS: -16dB Min @1-30MHz

-14.4dB Min @40MHz, -13.1dB Min @50MHz

-12dB Min @60-80MHz, -10dB Min @100MHz

Differential to Common Mode Rejection:

-45dB Min @30MHz -40dB Min @60MHz

-35dB Min @100MHz

CMRR: -30dB Min @1-100MHz

Crosstalk: -43.5dB Min @30MHz

-37.5dB Min @60MHz, -33dB Min @100MHz

Q: 5 Min @10KHz 50mV

Notes:

1. Solderability: Leads shall meet MIL-STD-202G, Method 208H for solderability.
2. Flammability: UL94V-0
3. ASTM oxygen index: > 28%
4. Insulation System: Class F 155°C. UL file E151556
5. Operating Temperature Range: All listed parameters are to be within tolerance from -40°C to +85°C
6. Storage Temperature Range: -55°C to +125°C
7. Aqueous wash compatible
8. SMD Lead Coplanarity: ±0.004"(0.102mm)
9. Electrical and mechanical specifications 100% tested
10. RoHS Compliant Component

XFMRS Inc. www.XFMRS.com	Title: 1000BASE-T Modules		
	UNLESS OTHERWISE SPECIFIED TOLERANCES: .xxx ±0.010 Dimensions in INCH		
SHT 1 OF 1	P/N: XFGIB1004	REV. B	
	DWN.	Feng	Aug-16-11
	CHK.	YK Liao	Aug-16-11
	APP.	BW	Aug-16-11

DOC. REV: B/1