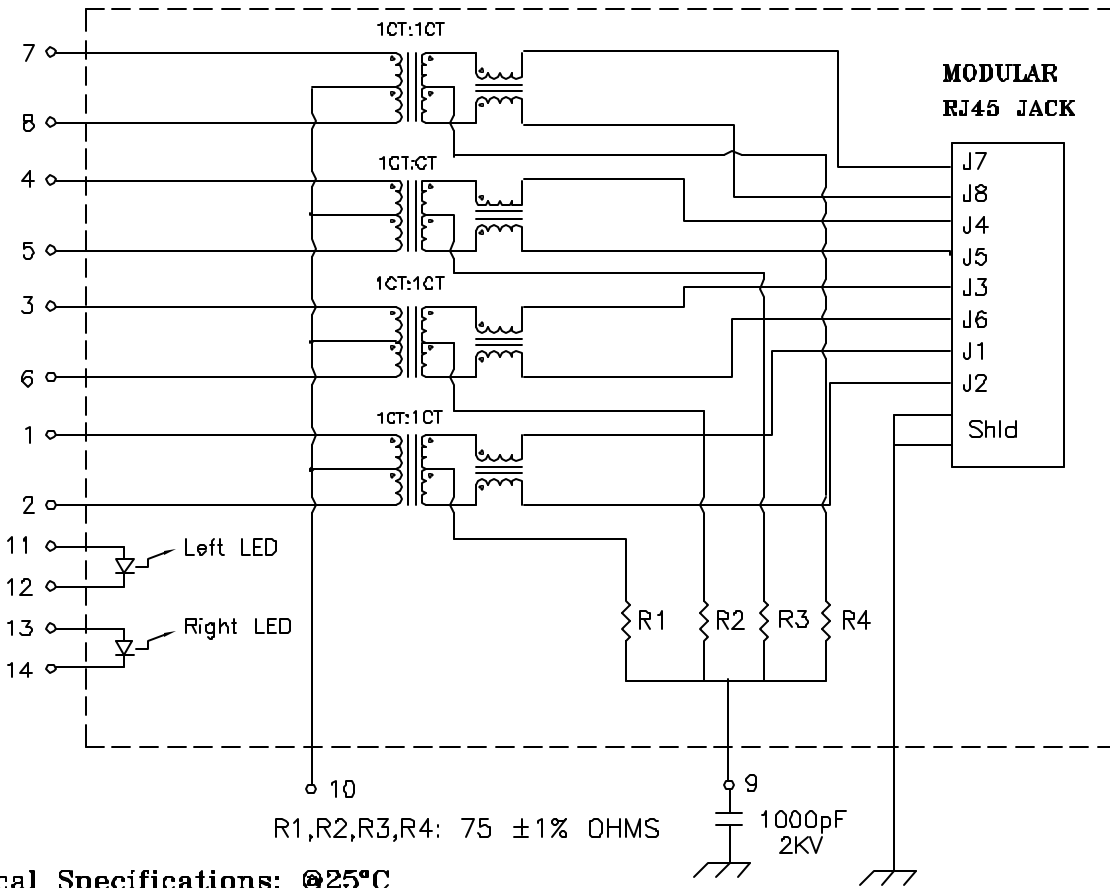


Schematic: (One of Four)



Electrical Specifications: @25°C

- ISOLATION: 1500 Vrms
- URNS RATIO: (PRI/SEC) 1CT:1CT ±2%
- CL: 350uH MIN @100KHz 100mV 8mADC
- Rise Time: 1.75ns Max.
- INSERTION LOSS: -1.0dB MAX @1MHz-100MHz
-1.5dB MAX @100-125MHz
- RETURN LOSS: -18dB Min @1-30MHz
-15dB Min @40MHz -13.1dB Min @50MHz
-12dB Min @60-80MHz -10dB Min @100MHz
- Differential to Common Mode Rejection:
-43dB Min @30MHz -37dB Min @80MHz
-33dB Min @100MHz
- CMRR: -30dB Min @1-100MHz
- Crosstalk: -45dB Min @30MHz
-40dB Min @60MHz -35dB Min @100MHz

Notes:

1. Solderability: Leads shall meet MIL-STD-202G, Method 208H for solderability.
2. Flammability: UL94V-0
3. ASTM oxygen index: > 28%
4. Insulation System: Class F 155°C, UL file E151556
5. Operating Temperature Range: All listed parameters are to be within tolerance from -40°C to +85°C
6. Storage Temperature Range: -55°C to +125°C
7. Aqueous wash compatible
8. Electrical and mechanical specifications 100% tested
9. RoHS Compliant Component

Complete the Combo P/N as follows:

Replace 'x' & 'u' in the part number with one of the LED color letters:

Y=Yellow 'x' = Left LED Color
G=Green 'u' = Right LED Color
A=Amber
R=Red

C=Green(1)/Amber(2) Bicolor
D=Amber(1)/Green(2) Bicolor
M=Green(1)/Yellow(2) Bicolor
N=Yellow(1)/Green(2) Bicolor
P=Red(1)/Green(2) Bicolor
Q=Green(1)/Red(2) Bicolor
E=Red(1)/Yellow(2) Bicolor
F=Yellow(1)/Red(2) Bicolor
H=Amber(1)/Yellow(2) Bicolor

Single Color LED: Bi-Color LED:

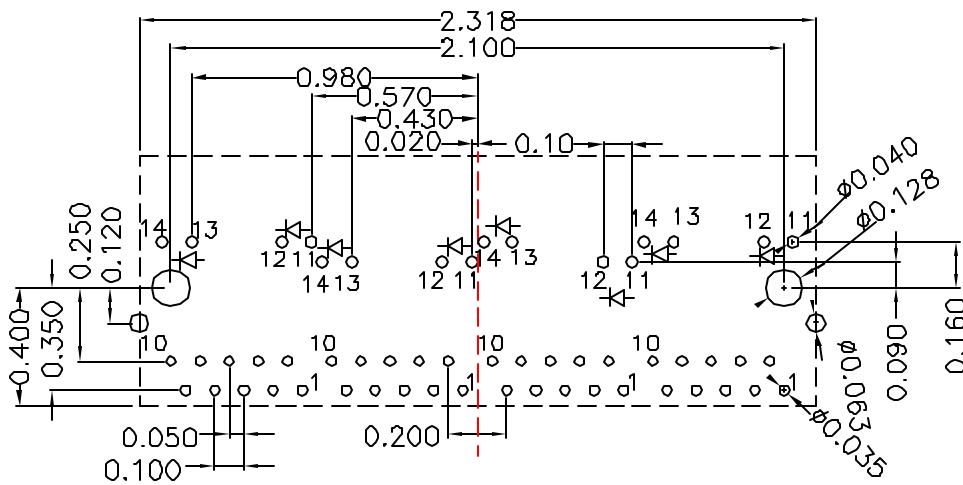
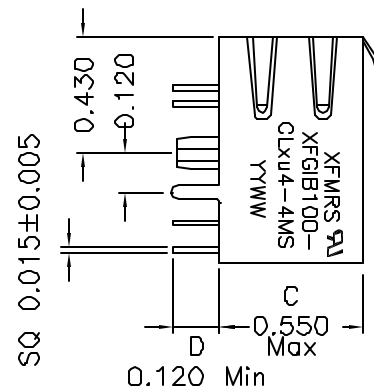
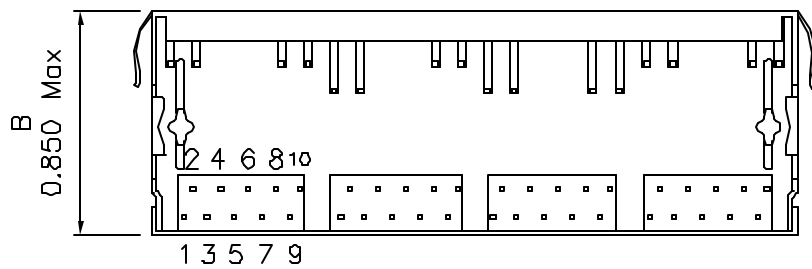
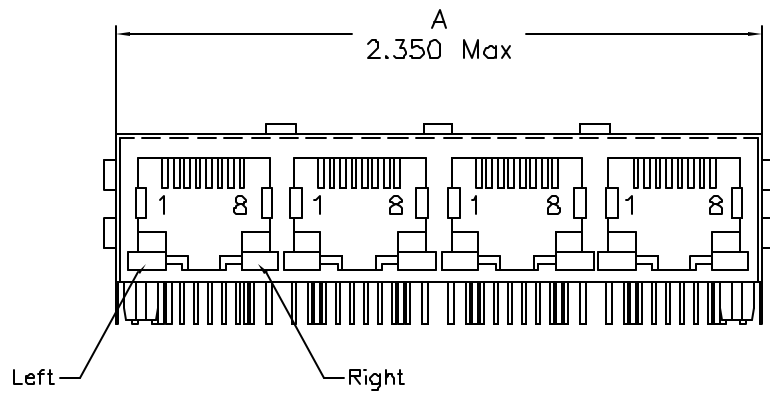
| | | | |
|-----------------------------------|---|-------------------------|-----------|
| XFMRs Inc www.XFMRs.com | Title: FOUR PORT COMBO | | |
| | UNLESS OTHERWISE SPECIFIED TOLERANCES: .xxx ±0.010 Dimensions in Inch | P/N: XFGIB100-CLxu4-4MS | REV. A |
| DOC REV: A/7 | DWN. | Juan Mao | Nov-17-05 |
| | CHK. | YK Liao | Nov-17-05 |
| | APP. | BW | Nov-17-05 |

PROPRIETARY:

Document is the property of XFMRs Group & is not allowed to be duplicated without authorization.

SHEET 1 OF 2

Mechanical Dimensions: (FOR CLxu4-4MS)



SUGGESTED MOUNTING PATTERN

| | | | |
|--|--|-------------------------|-----------|
| XFMR5 Inc www.XFMR5.com | Title: FOUR PORT COMBO w/ LED's | | |
| | UNLESS OTHERWISE SPECIFIED | P/N: XFGIB100-CLxu4-4MS | REV. A |
| TOLERANCES: | DWN. | Juan Mao | Nov-17-05 |
| .xxx ±0.010 | CHK. | YK Liao | Nov-17-05 |
| Dimensions in Inch | APP. | BW | Nov-17-05 |
| SHEET 2 OF 2 | | | |

DOC REV: A/7

PROPRIETARY:

Document is the property of XFMR5 Group & is not allowed to be duplicated without authorization.