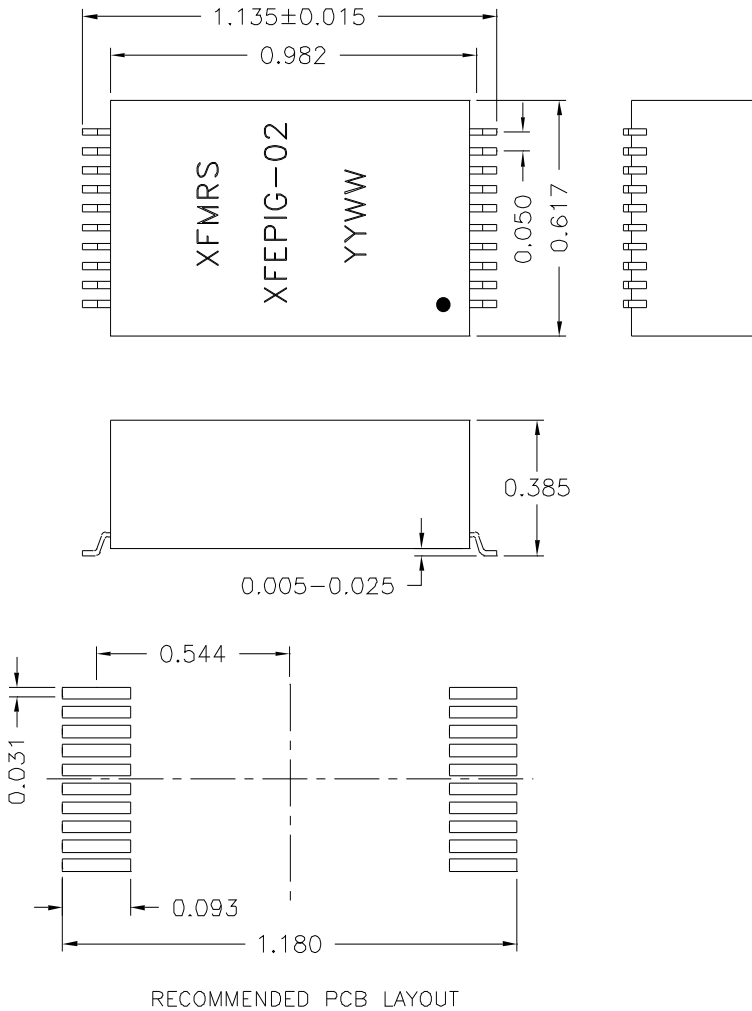
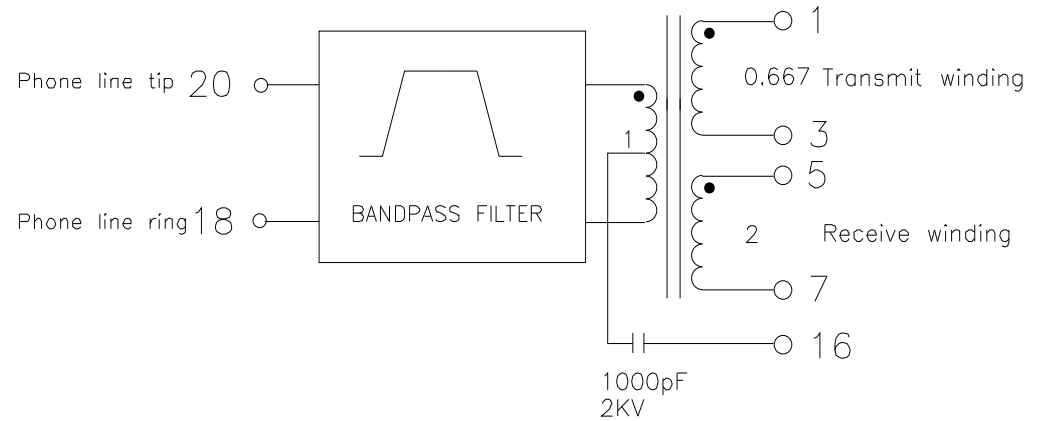


### 1. Dimensions:



### 2. Schematic:



Note: Common Mode Choke is included in Bandpass Filter.

### 3. Electrical Specifications: @25°C

- HIPOT: 1500 Vrms
- Turns Ratio: 20-18:1-3 1:0.667
- Turns Ratio: 20-18:5-7 1:2
- Passband: @4.25-9.75MHz
- Insertion Loss: @4.25-9.75MHz 2.2dB Max
- Passband ripple: 0.5dB
- Attenuation @1.1MHz 60dB Min
- @22MHz 35dB Min
- @54MHz 60dB Min
- CMRR (common mode to diff.): 40dB Min

<b>XFMRS Inc</b>	Title: <b>Home LAN Filter</b>	
	P/N: XFEPIG-02	REV. A
UNLESS OTHERWISE SPECIFIED TOLERANCES: .xxx ±0.010 Dimensions in Inch	DWN. 李清儿	Jun-16-99
	CHK. 孙怡	Jun-16-99
SCALE 1.5:1 SHT 1 OF 1	APP. Joe Huff	Jun-16-99

DOC. REV. A/2