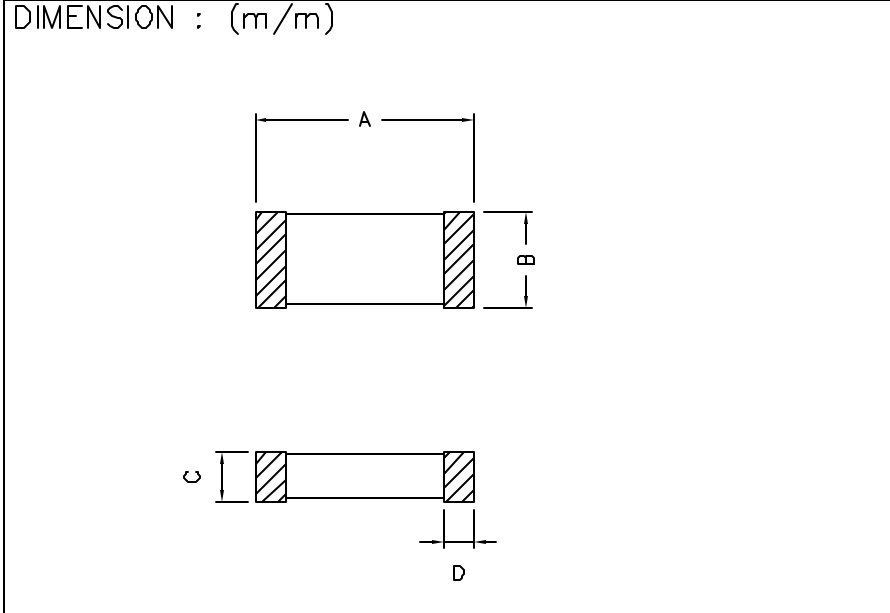


# XFMRS, Inc.

## SPECIFICATION FOR APPROVAL

XFMRS P/N : XFEI100505-5N6S Rev: A/2



A	1.0±0.1	m/m
B	0.5±0.1	m/m
C	0.5±0.1	m/m
D	0.25±0.15	m/m
E		m/m
F		m/m
G		m/m
H		m/m
I		m/m
J		m/m
K		m/m
L		m/m
M		m/m
N		m/m
O		m/m

### ELECTRICAL REQUIREMENTS

### TEST INSTRUMENTS

L	5.6±0.3 nH	TEST FREQ.	100MHz/100mV
Q	8 MIN.	TEST FREQ.	100MHz/100mV
SRF	5300MHz MIN.	TEST FREQ.	
Rdc	0.26 Ohms Max.	TEST FREQ.	
Idc	300mAdc Max	TEST FREQ.	
		TEST FREQ.	

- HP 34401A MULTIMETER
- HP 4195 NETWORKS/SPECTRUM ANALYZER
- HP 42841 BIAS CURRENT SOURCE
- HP 4285A LCR METER
- HP 4286A RF LCR METER
- HP 4291A RF IMPEDANCE / MATERIAL ANALYZER
- HP 6632A DC POWER SUPPLY

DRAWN BY :  
  
Juan Mao  
Mar-13-08

CHECKED BY :  
  
YK Liao  
Mar-13-08

APPROVED BY :  
  
JH  
Mar-13-08