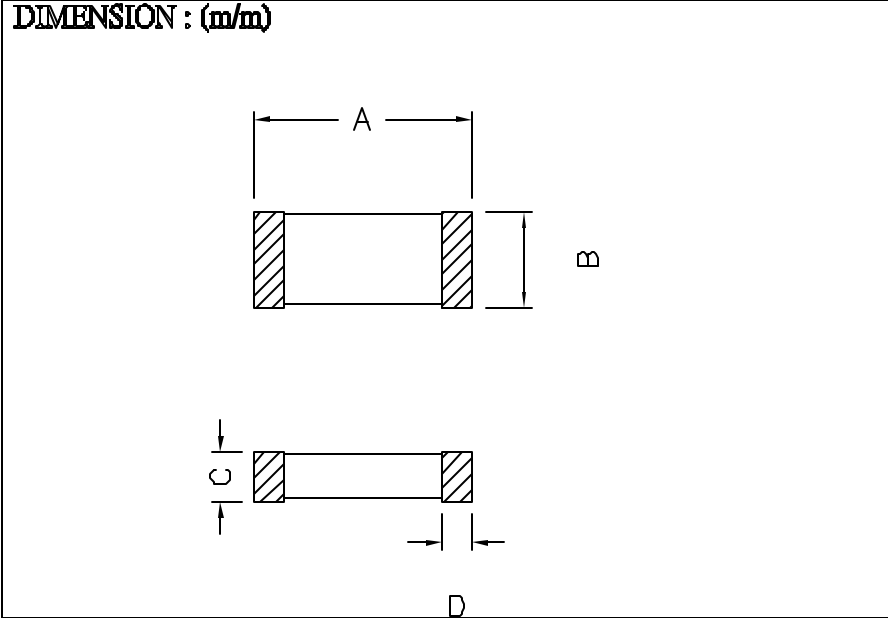


XFMRS, Inc.

SPECIFICATION FOR APPROVAL

XFMRS P/N : XFEB321611-310-1.5A **Rev: A/2**



| | | |
|----------|---------|-----|
| A | 3.2±0.2 | m/m |
| B | 1.6±0.2 | m/m |
| C | 1.1±0.2 | m/m |
| D | 0.5±0.3 | m/m |
| E | | m/m |
| F | | m/m |
| G | | m/m |
| H | | m/m |
| I | | m/m |
| J | | m/m |
| K | | m/m |
| L | | m/m |
| M | | m/m |
| N | | m/m |
| O | | m/m |

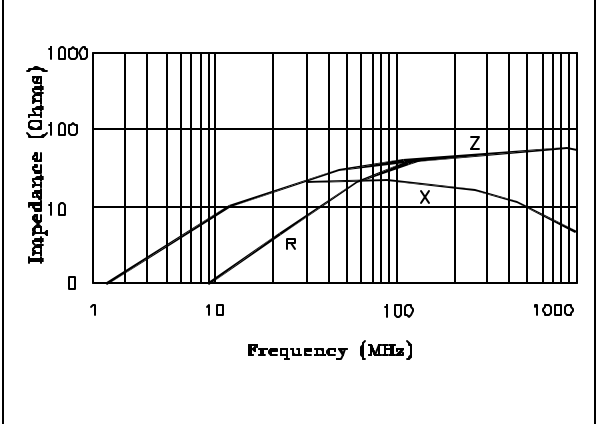
ELECTRICAL REQUIREMENTS

| | | | | |
|------------|---------------|-------------------|-----|-----|
| Z | 31±25% Ohms | TEST FREQ. | 100 | MHz |
| Rdc | 0.04 Ohms Max | TEST FREQ. | | MHz |
| Idc | 1500mA MAX. | TEST FREQ. | | MHz |

TEST INSTRUMENTS

● HP 4991A RF IMPEDANCE / MATERIAL ANALYZER

- Notes:
1. Solderability: Leads shall meet MIL-STD-202G, Method 208H for solderability.
 2. Flammability: UL94V-0
 3. ASTM oxygen index: > 28%
 4. Insulation System: Class F 155°C. UL file E151556
 5. Operating Temperature Range: All listed parameters are to be within tolerance from -40°C to +125°C
 6. Storage Temperature Range: -55°C to +125°C
 7. Aqueous wash compatible
 8. SMD Lead Coplanarity: ±0.004"(0.102mm)
 9. Electrical and mechanical specifications 100% tested
 10. RoHS Compliant Component



| | | |
|-------------------|---------------------|----------------------|
| DRAWN BY : | CHECKED BY : | APPROVED BY : |
| LI Xiaofeng | Liao | BW 11-26-07 |