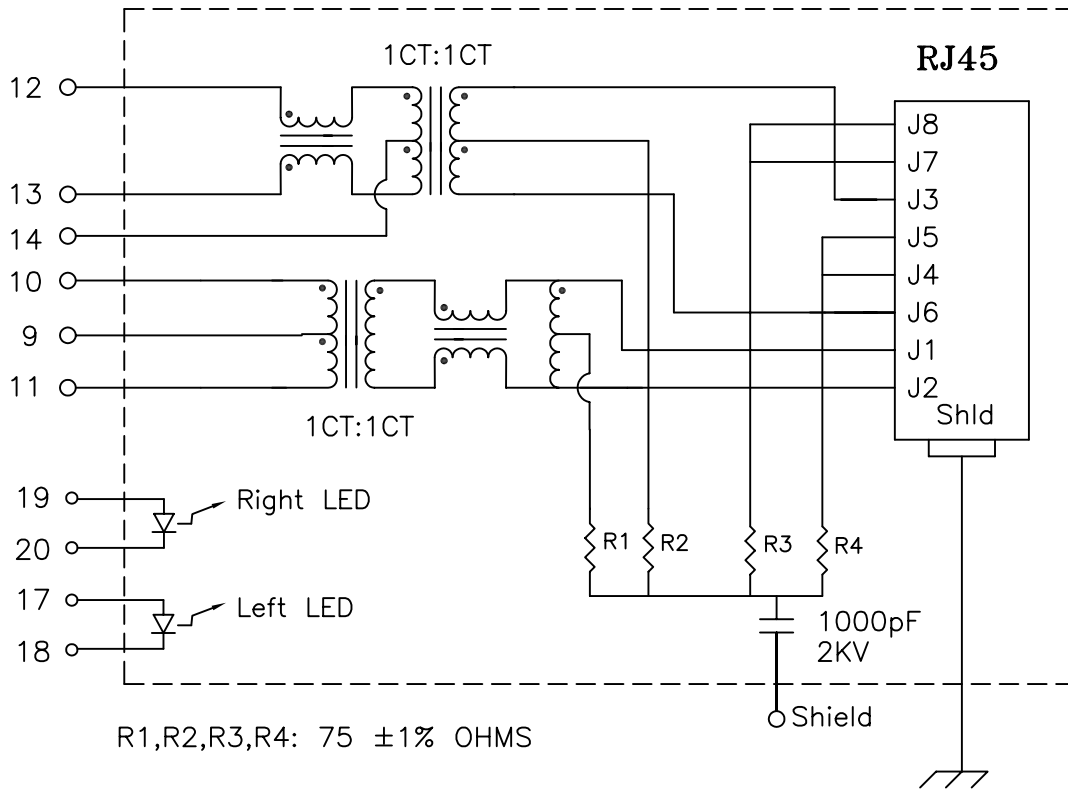


1. Schematic:



2. Electrical Specifications:@25°C

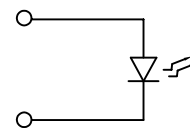
Isolation Voltage: 1500 Vrms (Input to Output)
 Isolation Voltage: 500 Vrms (P1+2+3 to P4+5+6)
 Turns Ratio: TX 1CT:1CT ±3% RX 1CT:1CT ±3%
 CABLE SIDE OCL: 350uH Minimum @100KHz 100mV 8mADC
 Cw/w: 27pF Typical @100KHz 100mV
 Insertion Loss (300KHz-100MHz): -1.0dB Minimum
 Return Loss: @30MHz -18dB Minimum
 @80MHz -12dB Minimum

Complete the Combo P/N as follows:

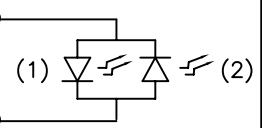
Replace 'x' & 'u' in the part number with one of the LED color letters:

Y=Yellow
 G=Green
 A=Amber
 R=Red
 C=Green(1)/Amber(2) Bicolor
 D=Amber(1)/Green(2) Bicolor
 M=Green(1)/Yellow(2) Bicolor
 N=Yellow(1)/Green(2) Bicolor
 P=Red(1)/Green(2) Bicolor
 Q=Green(1)/Red(2) Bicolor

Single Color LED:



Bi-Color LED:



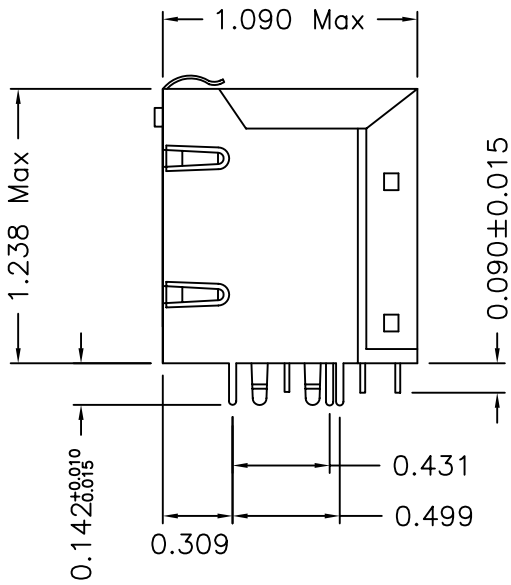
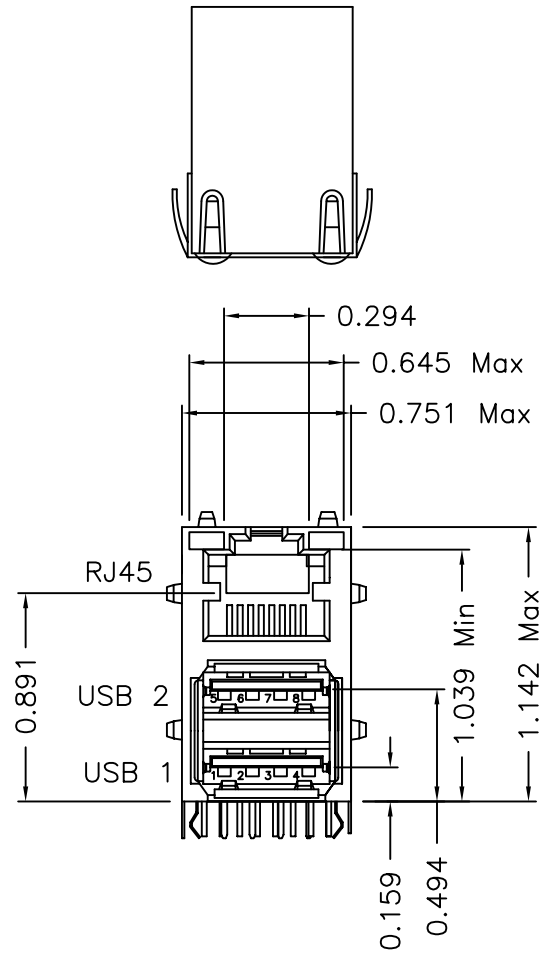
Notes:

- Solderability: Leads shall meet MIL-STD-202, Method 208D for solderability.
- Flammability: UL94V-0
- ASTM oxygen index: > 28%
- Insulation System: Class F 155°C. UL file E151556
- Operating Temperature Range: -20°C to +85°C

DOC REV: A/3

XFMRs Inc.	Title: STACKED USB COMBO		
	UNLESS OTHERWISE SPECIFIED TOLERANCES: .xxx ±0.010 Dimensions in Inch	P/N: XFATM9L-USBxu-4	REV. A
SHEET 1 OF 3	DWN.	李小锋	May-02-03
	CHK.	廖玉坤	May-02-03
	APP.	Isaiah M	May-02-03

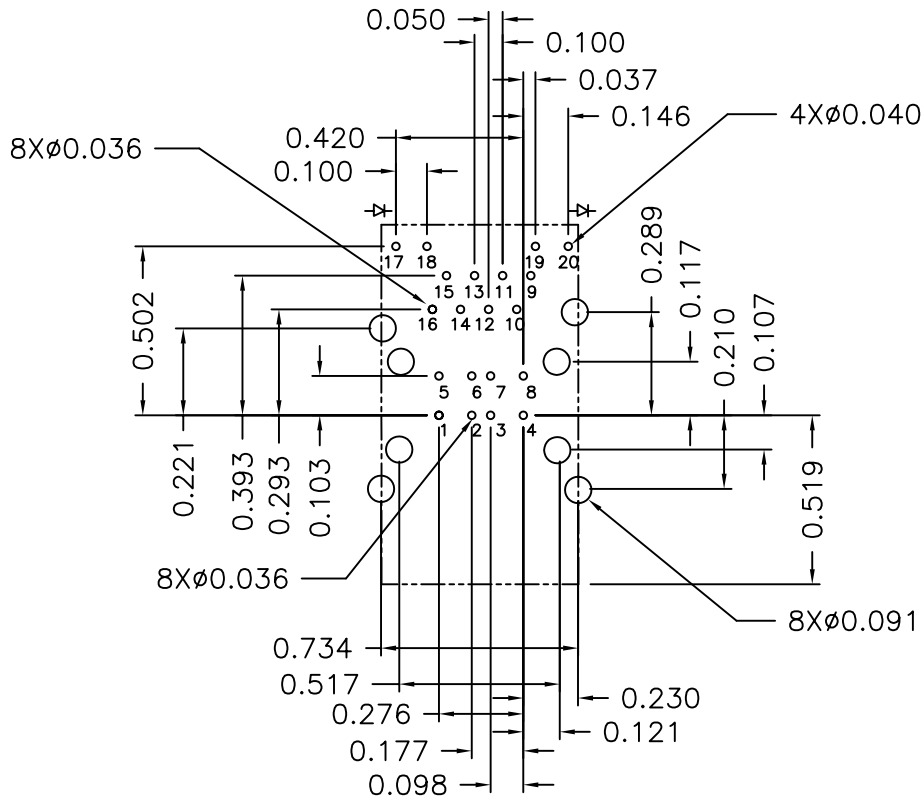
3. Mechanical Dimensions:



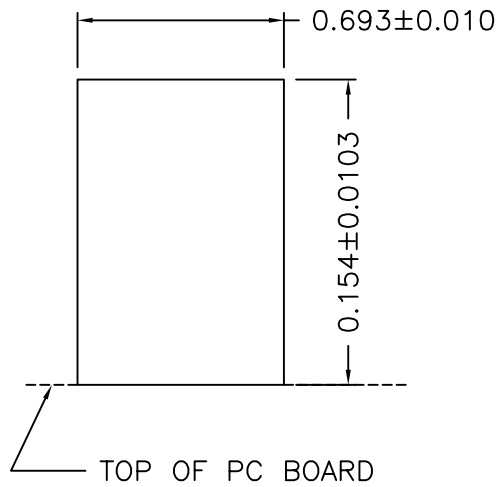
DOC REV: A/3

XFMRs Inc.		Title: Mechanical Dimensions For STACKED USB COMBO	
UNLESS OTHERWISE SPECIFIED TOLERANCES: .xxx ±0.010 Dimensions in Inch	P/N: XFATM9L-USBxu-4	REV. A	
	DWN.	李小锋	May-02-03
	CHK.	廖玉坤	May-02-03
	APP.	Isaiah M	May-02-03
SHEET 2 OF 3			

3. Mechanical Dimensions (cont.):



SUGGESTED PC BOARD LAYOUT VIEW
FROM COMPONENT SIDE



RECOMMENDED PANEL CUT-OUT

DOC REV: A/3

XFMRs Inc.	Title: Mechanical Dimensions For STACKED USB COMBO	
	P/N: XFATM9L-USBxu-4	REV. A
UNLESS OTHERWISE SPECIFIED TOLERANCES: .xxx ±0.010 Dimensions in Inch	DWN. 李小锋	May-02-03
	CHK. 廖玉坤	May-02-03
SHEET 3 OF 3	APP. Isaiah M	May-02-03