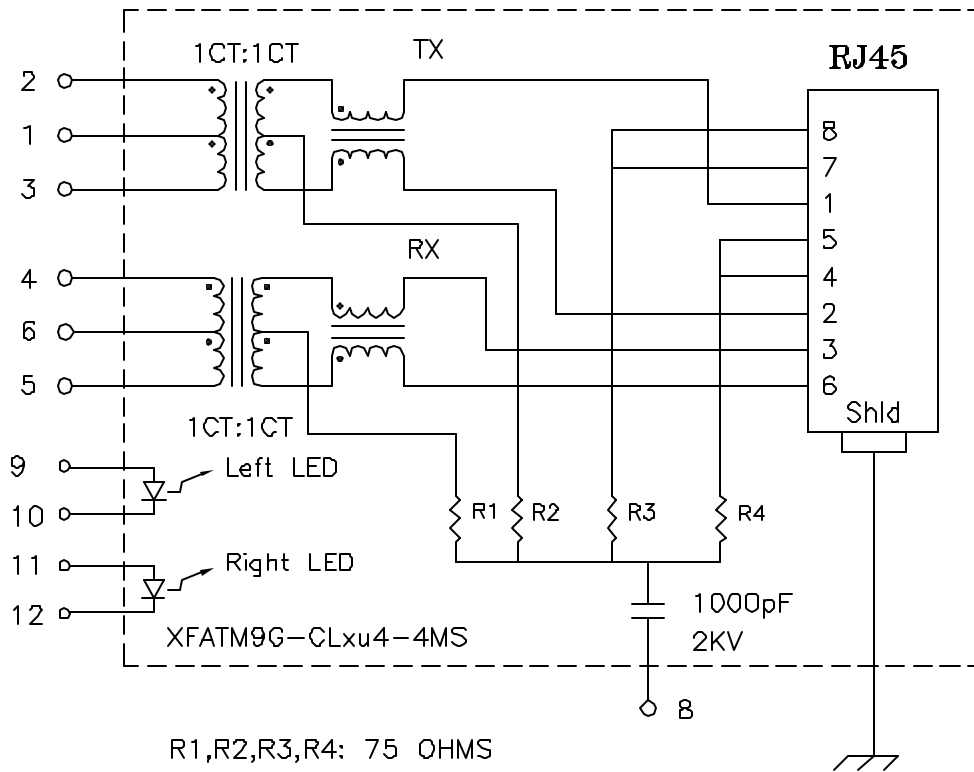


1. Schematic:



2. Electrical Specifications: @25°C

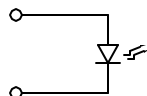
- Isolation Voltage: 1500 Vrms (Input to Output)
- Isolation Voltage: 500 Vrms (P1+2+3 to P4+5+6)
- Turns Ratio: TX 1CT:1CT ±3% RX 1CT:1CT ±3%
- CABLE SIDE OCL: 350uH Minimum @100KHz 100mV 8mADC
- Cw/w: 27pF Typical @100KHz 100mV
- Insertion Loss (300KHz-100MHz): -1.0dB Maximum
- Return Loss: @30MHz -18dB Minimum
@80MHz -12dB Minimum

Complete the Combo P/N as follows:

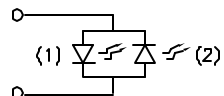
Replace 'x' & 'u' in the part number with one of the LED color letters:

- Y=Yellow 'x' = Left LED Color
- G=Green 'u' = Right LED Color
- A=Amber
- R=Red
- N=Yellow{1}/Green{2} Bicolor
- M=Green{1}/Yellow{2} Bicolor

Single Color LED:



Bi-Color LED:



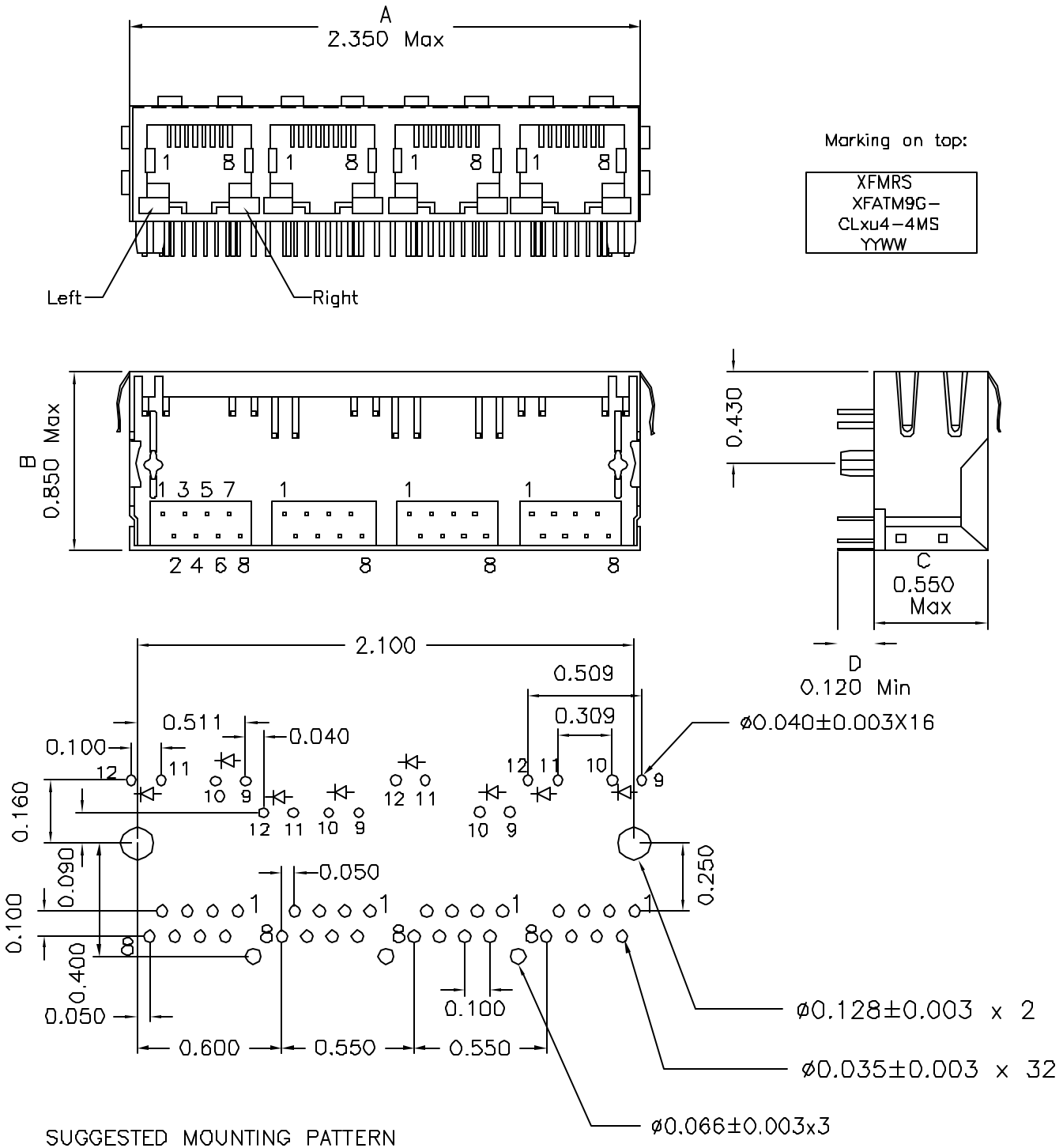
Notes:

1. Solderability: Leads shall meet MIL-STD-202, Method 208D for solderability.
2. Flammability: UL94V-0
3. ASTM oxygen index: > 28%
4. Insulation System: Class F 155°C. UL file E151556
5. Operating Temperature Range: All listed parameters are to be within tolerance from -40°C to +85°C
6. Storage Temperature Range: -55°C to +125°C
7. Aqueous wash compatible

DOC. REV: A/1

| | | | |
|--------------------------|-------------------------------|------|------------------------|
| XFMRs Inc. | Title: FOUR PORT COMBO | | |
| | UNLESS OTHERWISE SPECIFIED | | P/N: XFATM9G-CLxu4-4MS |
| TOLERANCES: .xx ±0.25 | | DWN. | 罗振江 |
| Dimensions in MM | | CHK. | 廖玉坤 |
| SHEET 1 OF 2 | | APP. | Joe Huff |
| | | REV. | A |
| | | | Jul-16-03 |
| | | | Jul-16-03 |
| | | | Jul-16-03 |

3. Mechanical Dimensions: (FOR CLxu4-4MS)



DOC REV: A/1

| | | |
|-------------------|---|--|
| XFMRS Inc. | Title: FOUR PORT COMBO w/ LED's | |
| | UNLESS OTHERWISE SPECIFIED TOLERANCES: .xxx ±0.010 Dimensions in Inch | P/N: XFATM9G-CLxu4-4MS DWN. 刘鹏 CHK. 李小锋 APP. Joe Huff |
| SHEET 2 OF 2 | REV. A | Jul-16-03 Jul-16-03 Jul-16-03 |