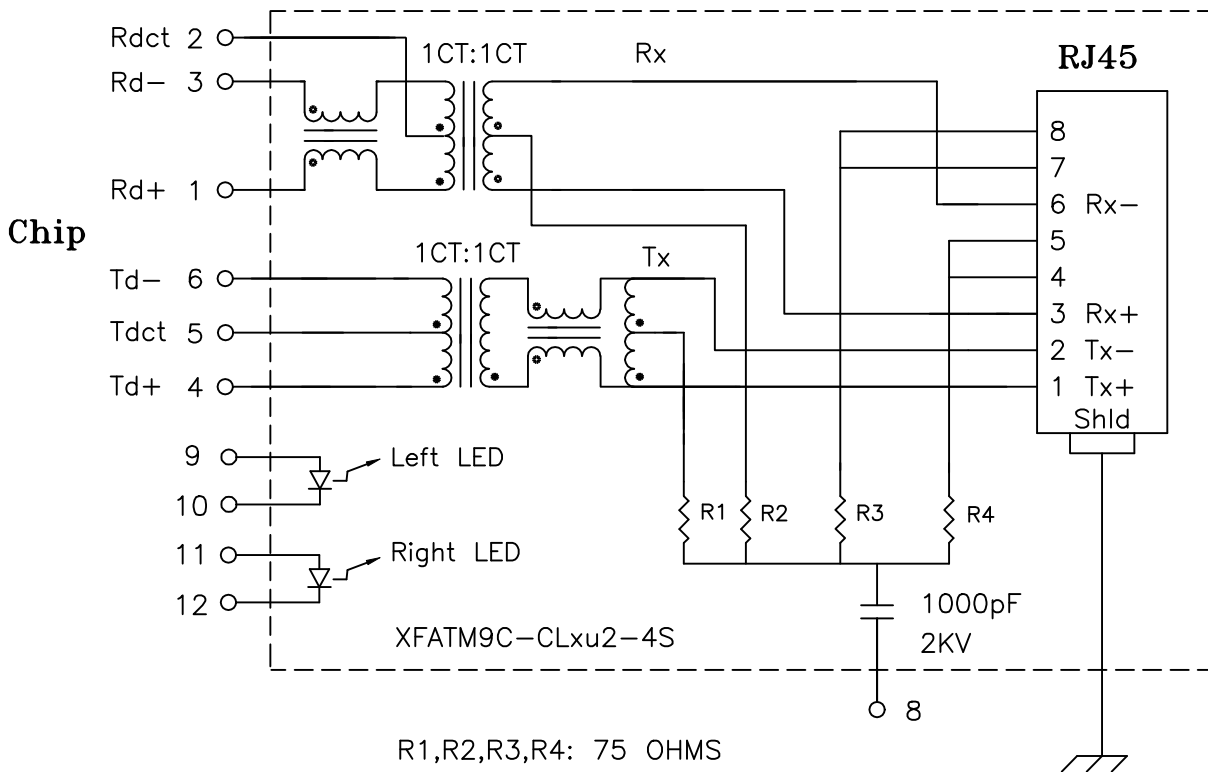


### Schematic:



### Electrical Specifications: @25°C

- Isolation Voltage: 1500 Vrms (Input to Output)
- Isolation Voltage: 500 Vrms (P1+2+3 to P4+5+6)
- Turns Ratio: TX 1CT:1CT ±3% RX 1CT:1CT ±3%
- CABLE SIDE OCL: 350uH Minimum @100KHz 100mV 8mADC
- Cw/w: 27pF Typical @100KHz 100mV
- Insertion Loss (300KHz-100MHz): 1.0dB Max.
- Return Loss: @30MHz 18dB Minimum
- @80MHz 12dB Minimum

Notes:

1. Solderability: Leads shall meet MIL-STD-202, Method 208D for solderability.
2. Flammability: UL94V-0
3. ASTM oxygen index: > 28%
4. Operating Temperature Range: -40°C to +85°C

Complete the Combo P/N as follows:

Replace 'x' & 'u' in the part number with one of the five LED color letters:

'x' = Left LED Color	Y=Yellow
'u' = Right LED Color	G=Green
	A=Amber
	R=Red
	YG=Yellow/Green Bicolor

DOC. REV: A/2

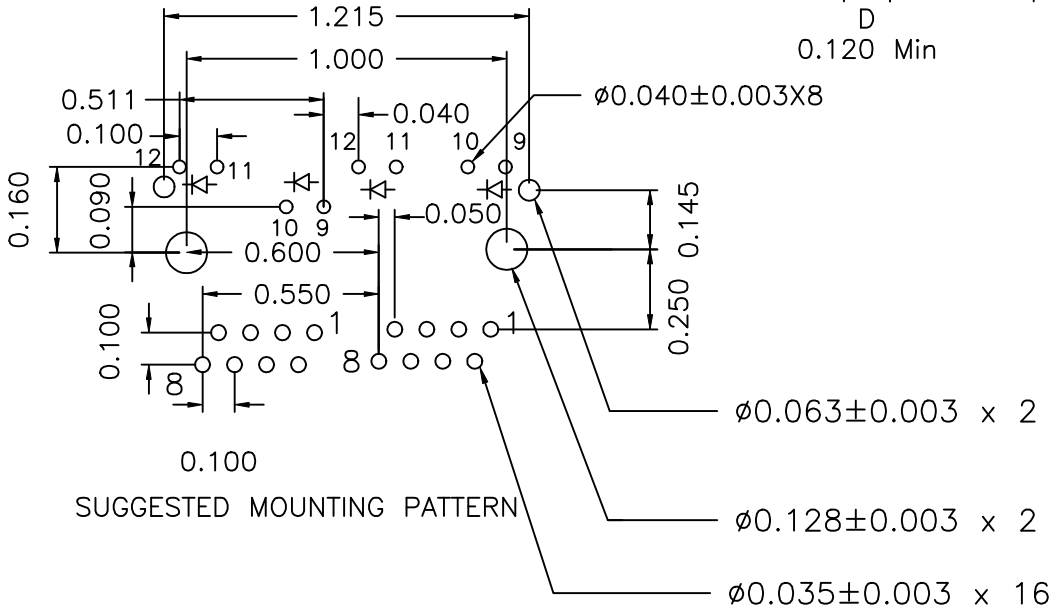
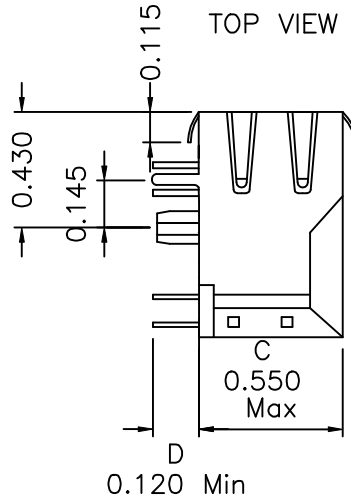
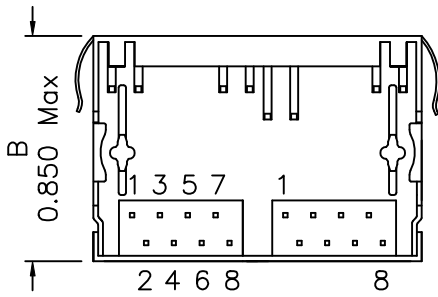
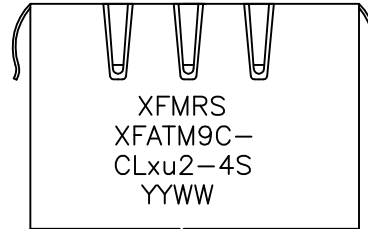
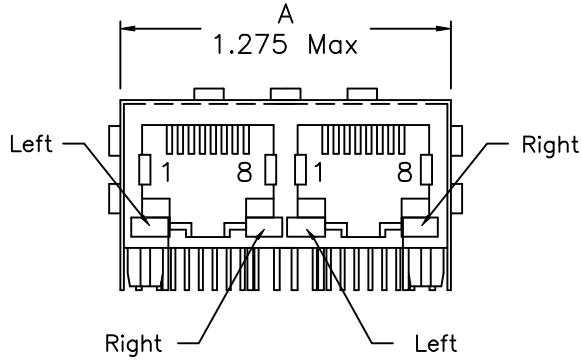
<b>XFMRs Inc.</b>	Title: <b>DUAL PORT COMBO</b>		
UNLESS OTHERWISE SPECIFIED TOLERANCES: .xxx ±0.010 Dimensions in Inch	P/N: XFATM9C-CLxu2-4S		REV. A
	DWN.	廖玉坤	Aug-23-02
	CHK.	李清儿	Aug-23-02
SHEET 1 OF 2	APP.	BW	Aug-23-02

# Mechanical Dimensions: (FOR CLxu2-4MS)

Complete the Combo P/N as follows:

Replace 'x' & 'u' in the part number with one of the five LED color letters:

- 'x' = Left LED Color
- 'u' = Right LED Color
- Y=Yellow
- G=Green
- A=Amber
- R=Red
- YG=Yellow/Green Bicolor



XFMR5 Inc.	Title: CLxu2-4S Combo Spec		
	UNLESS OTHERWISE SPECIFIED TOLERANCES: .xxx ±0.010	P/N: XFATM9C-CLxu2-4S	REV. A
Dimensions in Inch	DWN.	李小锋	Aug-19-02
	CHK.	廖玉坤	Aug-19-02
SHEET 2 OF 2	APP.	BW	Aug-19-02

DOC REV: A/2