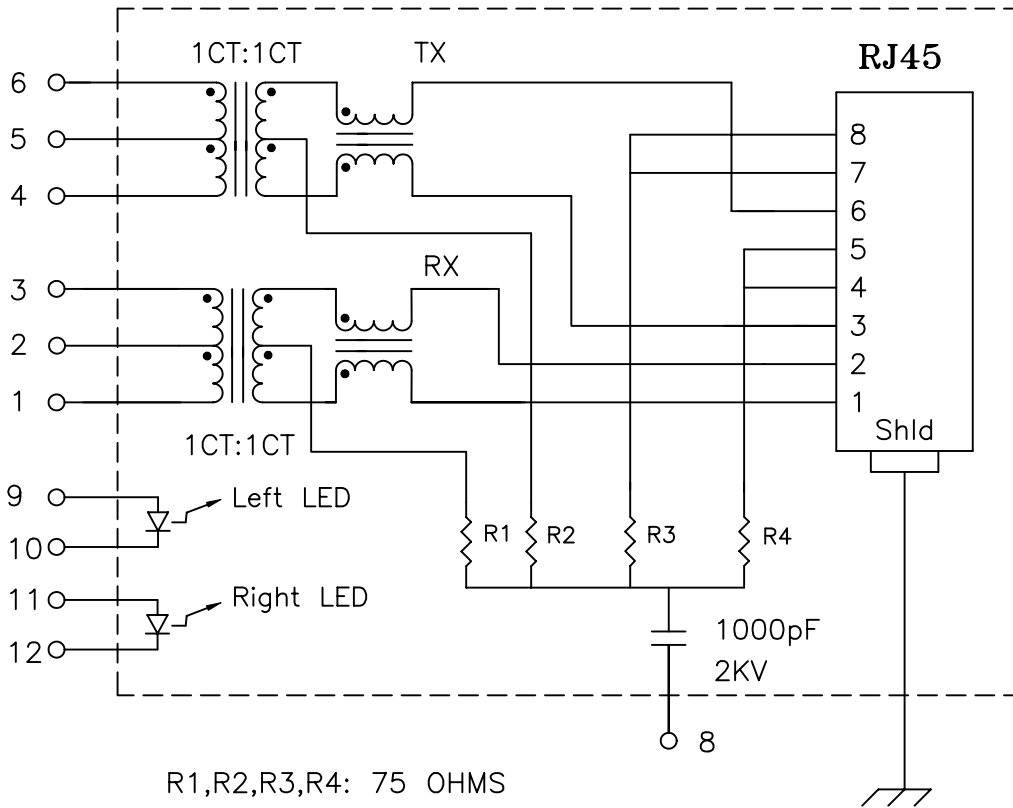


Schematic:

(One of Two)



R1,R2,R3,R4: 75 OHMS

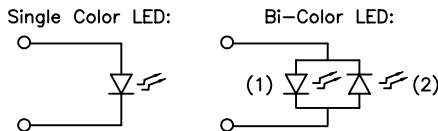
Electrical Specifications: @25°C

- Isolation Voltage: 1500 Vrms (Input to Output)
- Isolation Voltage: 500 Vrms (P1+2+3 to P4+5+6)
- Turns Ratio: TX 1CT:1CT ±3% RX 1CT:1CT ±3%
- CABLE SIDE OCL: 350uH Minimum @100KHz 100mV 8mADC
- Cw/w: 27pF Typical @100KHz 100mV
- Insertion Loss (300KHz-100MHz): -1.0dB Minimum
- Return Loss: @30MHz -18dB Minimum
- @80MHz -12dB Minimum

Complete the Combo P/N as follows:

Replace 'x' & 'u' in the part number with one of the LED color letters:

- Y=Yellow 'x' = Left LED Color
- G=Green 'u' = Right LED Color
- A=Amber
- R=Red
- N=Yellow(1)/Green(2) Bicolor
- M=Green(1)/Yellow(2) Bicolor



DOC. REV: A/1

Notes:

1. Solderability: Leads shall meet MIL-STD-202, Method 208D for solderability.
2. Flammability: UL94V-0
3. ASTM oxygen index: > 28%
4. Temperature rating: 155°C. UL file E151556
5. Operating Temperature Range: -40°C to +85°C

XFMRs Inc.		Title: DUAL PORT COMBO	
UNLESS OTHERWISE SPECIFIED		P/N: XFATM9-CLxu2-4NTS	REV. A
TOLERANCES: .xxx ±0.010		DWN. 李小锋	Apr-28-04
Dimensions in Inch		CHK. 廖玉坤	Apr-28-04
SHEET 1 OF 2		APP. MS	Apr-28-04

PROPRIETARY:
Document is the property of XFMRs Group & is not allowed to be duplicated without authorization.

