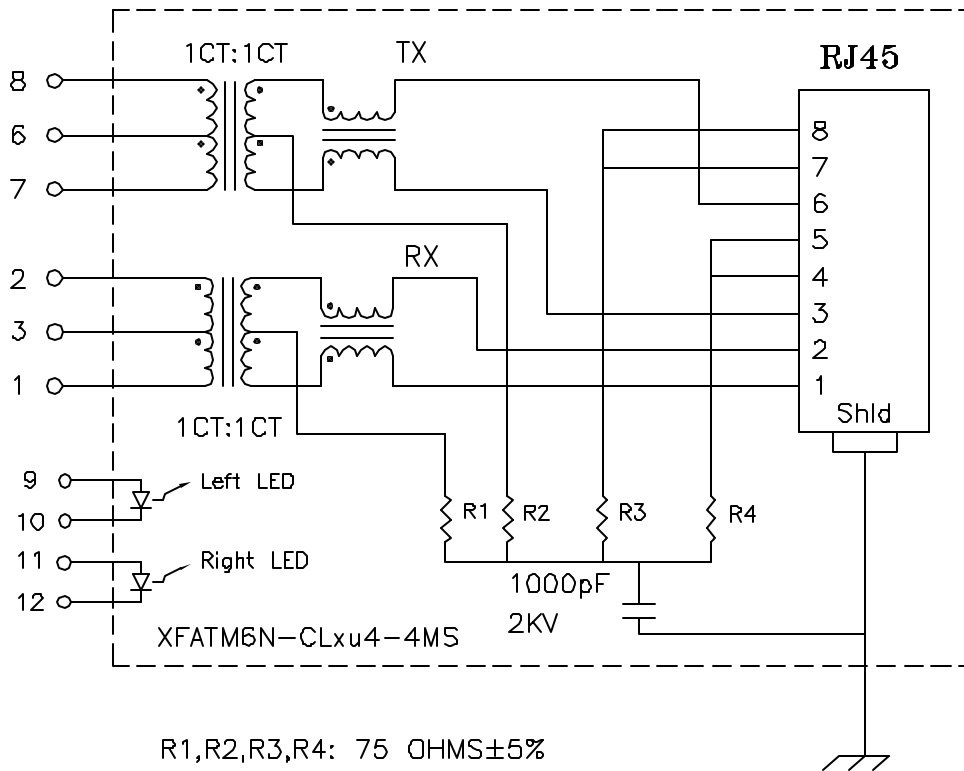


Schematic: (One of Four)



Electrical Specifications: @25°C

- Isolation Voltage: 1500 Vrms (Input to Output)
- Isolation Voltage: 500 Vrms (P1+2+3 to P6+7+8)
- Turns Ratio: TX 1CT:1CT ±3% RX 1CT:1CT ±3%
- CABLE SIDE OCL: 350uH Minimum @100KHz 100mV 8mADC
- Cw/w: 27pF Typical @100KHz 100mV
- Insertion Loss (300KHz-100MHz): 1.0dB Max
- Return Loss: @30MHz 18dB Minimum
- @80MHz 12dB Minimum

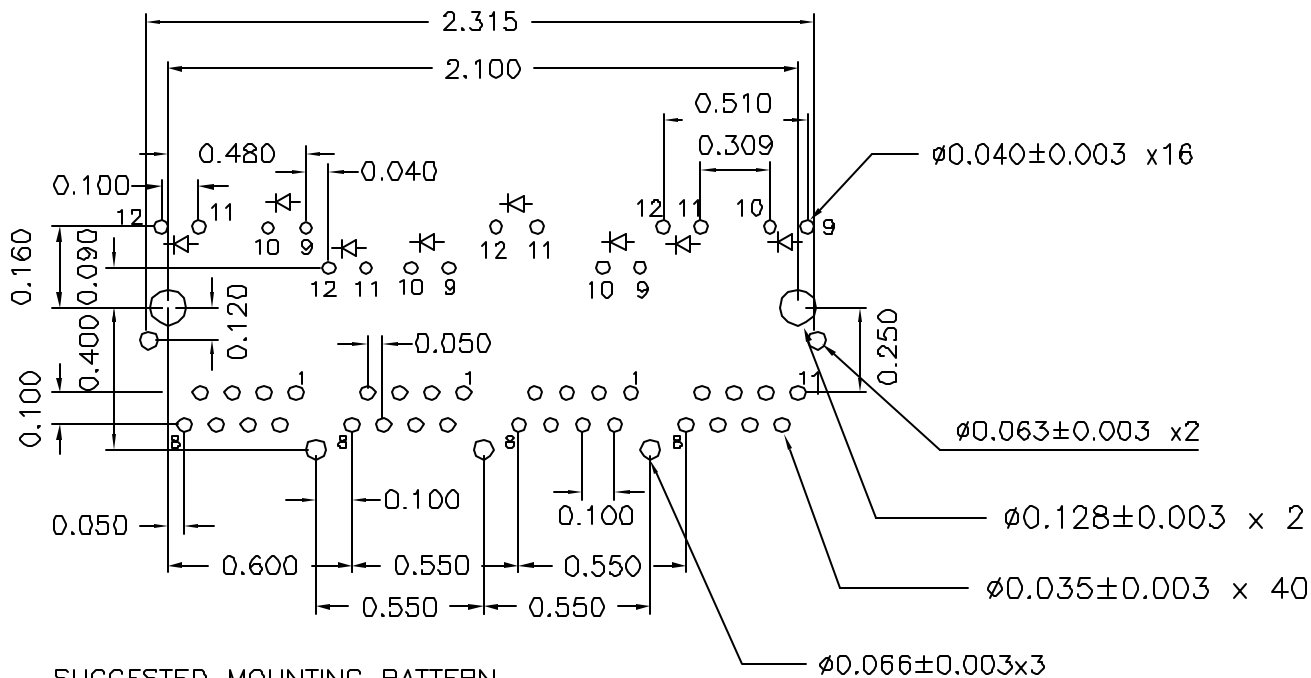
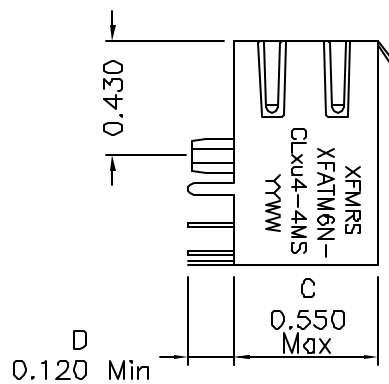
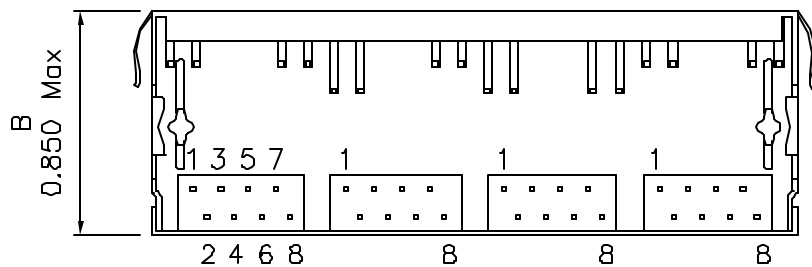
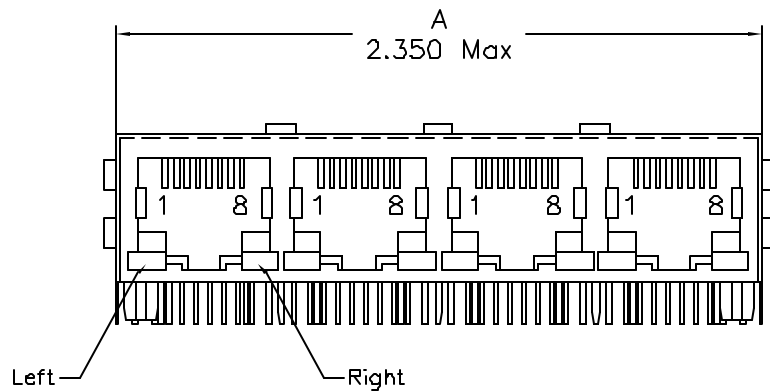
Notes:

1. Solderability: Leads shall meet MIL-STD-202, Method 208D for solderability.
2. Flammability: UL94V-0
3. ASTM oxygen index: > 28%
4. Temperature rating: 155°C. UL file E151556
5. Operating Temperature Range: -40°C to +85°C

DOC. REV: A/3

XFMRs Inc.	Title: FOUR PORT COMBO		
	UNLESS OTHERWISE SPECIFIED TOLERANCES: .xxx ±0.010		P/N: XFATM6N-CLxu4-4MS
Dimensions in Inch	DWN.	罗振江	Sep-04-03
	CHK.	廖玉坤	Sep-04-03
SHEET 1 OF 2	APP.	BW	Sep-04-03

Mechanical Dimensions: (FOR CLxu4-4MS)



SUGGESTED MOUNTING PATTERN

Complete the Combo P/N as follows:

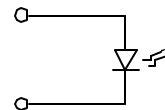
Replace 'x' & 'u' in the part number with one of the LED color letters:

Y=Yellow
G=Green
A=Amber
R=Red

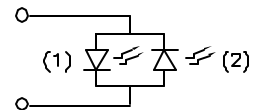
'x' = Left LED Color
'u' = Right LED Color

C=Green(1)/Amber(2) Bicolor
D=Amber(1)/Green(2) Bicolor
M=Green(1)/Yellow(2) Bicolor
N=Yellow(1)/Green(2) Bicolor
P=Red(1)/Green(2) Bicolor
Q=Green(1)/Red(2) Bicolor

Single Color LED:



Bi-Color LED:



DOC REV: A/3

XFMRS Inc. UNLESS OTHERWISE SPECIFIED TOLERANCES: .xxx ±0.010 Dimensions in Inch	Title: FOUR PORT COMBO w/ LED's	
	P/N: XFATM6N-CLxu4-4MS	REV. A
SHEET 2 OF 2	DWN.	罗振江
	CHK.	廖玉坤
	APP.	BW
		Sep-04-03
		Sep-04-03
		Sep-04-03