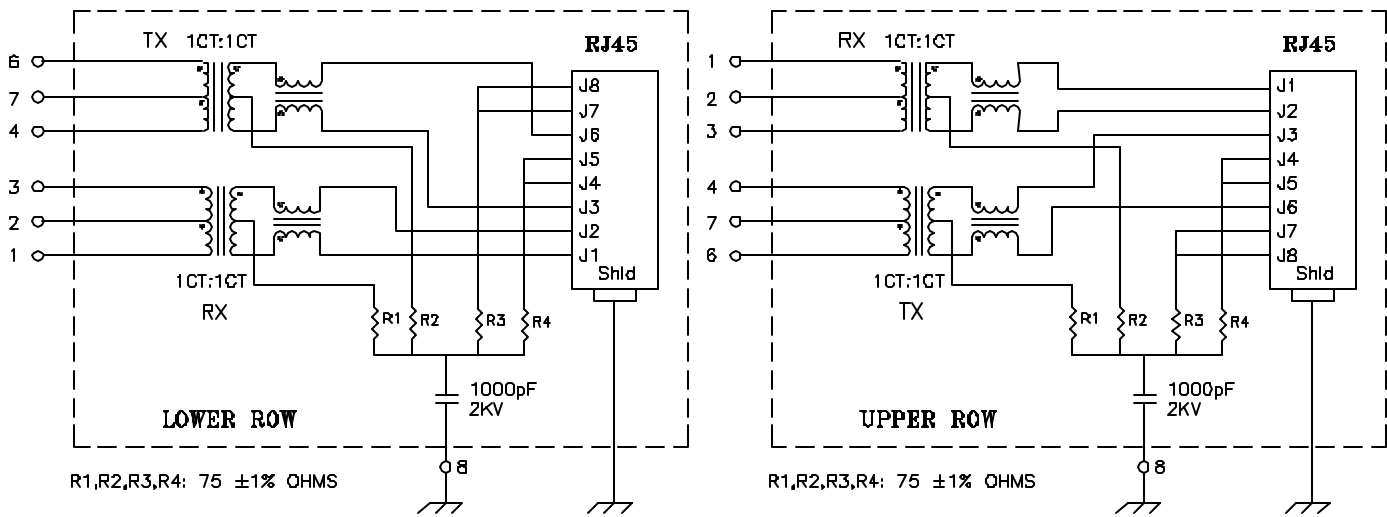


Schematic:



Electrical Specifications: @25°C

Isolation Voltage: 1500 Vac (J1+J2 to P1+P3), (J3+J6 to P4+P6)

Isolation Voltage: 500 Vac (1+2+3 to 4+7+6)

OCL: P6-P4, 350uH Min @100KHz 100mV 8mADC

OCL: P3-P1, 350uH Min @100KHz 100mV 8mADC

DCR: J6-J3 = J2-J1, 1.20 Ohms Max

Interwinding Capacitance: 30pF Max (P6,P7,P4 to J6,J3)

Interwinding Capacitance: 30pF Max (P3,P2,P1 to J2,J1)

Rise Time (10-90%): 3.0ns Max

Insertion Loss (300KHz-100MHz): -1.1dB Maximum

Insertion Loss (100MHz-125MHz): -1.5dB Maximum

Return Loss: -12dB Typical @1MHz - 80MHz

Crosstalk:

1MHz-100MHz -40dB Typical

Common Mode to Differential Mode Rejection:

30MHz-100MHz -35dB Typ (Tx) / -35dB Typ (Rx)

Notes:

1. Solderability: Leads shall meet MIL-STD-202G, Method 208H for solderability.
2. Flammability: UL94V-0
3. ASTM oxygen index: > 28%
4. Insulation System: Class F 155°C. UL file E151556
5. Operating Temperature Range: All listed parameters are to be within tolerance from -40°C to +85°C
6. Storage Temperature Range: -55°C to +125°C
7. Aqueous wash compatible
8. Electrical and mechanical specifications 100% tested
9. RoHS Compliant Component

DOC. REV: B/3

XFMRs Inc.
www.XFMRs.com

UNLESS OTHERWISE SPECIFIED
TOLERANCES:
.xxx ±0.010
Dimensions in Inch
SHEET 1 OF 2

Title:

DUAL PORT COMBO

P/N: XFATM2U-STACK2-4

REV. B

DWN.

Juan Mao

May-15-06

CHK.

YK Liao

May-15-06

APP.

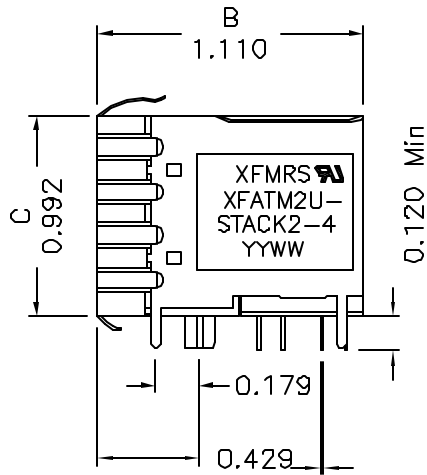
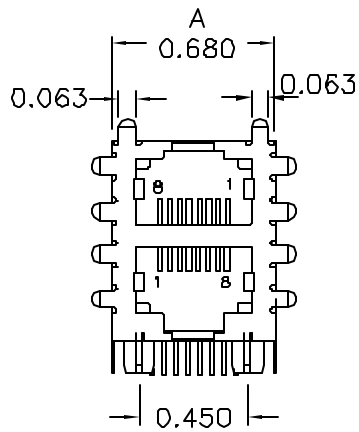
MS

May-15-06

PROPRIETARY:

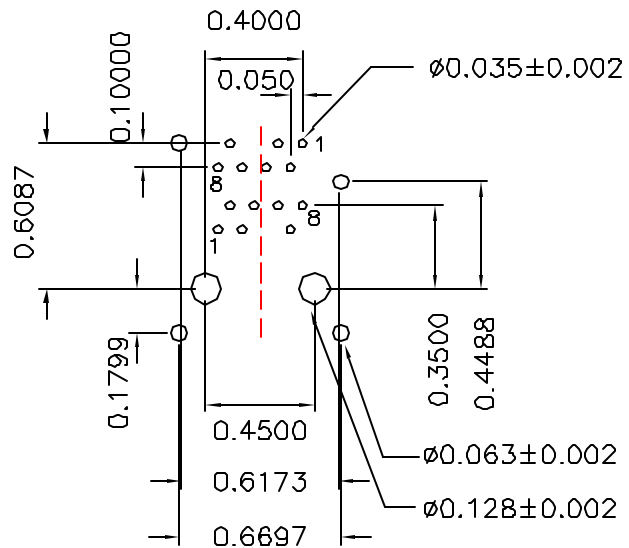
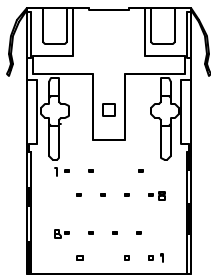
Document is the property of XFMRs Group & is not allowed to be duplicated without authorization.

Mechanical Dimensions:



SQ 0.015±0.005

*Remove Pin#5



DOC. REV: B/3

XFMRs Inc. www.XFMRS.com	Title: Mechanical Dimensions For 1X2 STACKED COMBO Series		
	UNLESS OTHERWISE SPECIFIED TOLERANCES: .xxx ±0.0100 Dimensions in Inch	P/N: XFATM2U-STACK2-4 DWN. CHK. APP.	REV. B Juan Mao YK Liao MS
SHEET 2 OF 2			

PROPRIETARY:

Document is the property of XFMRs Group & is not allowed to be duplicated without authorization.