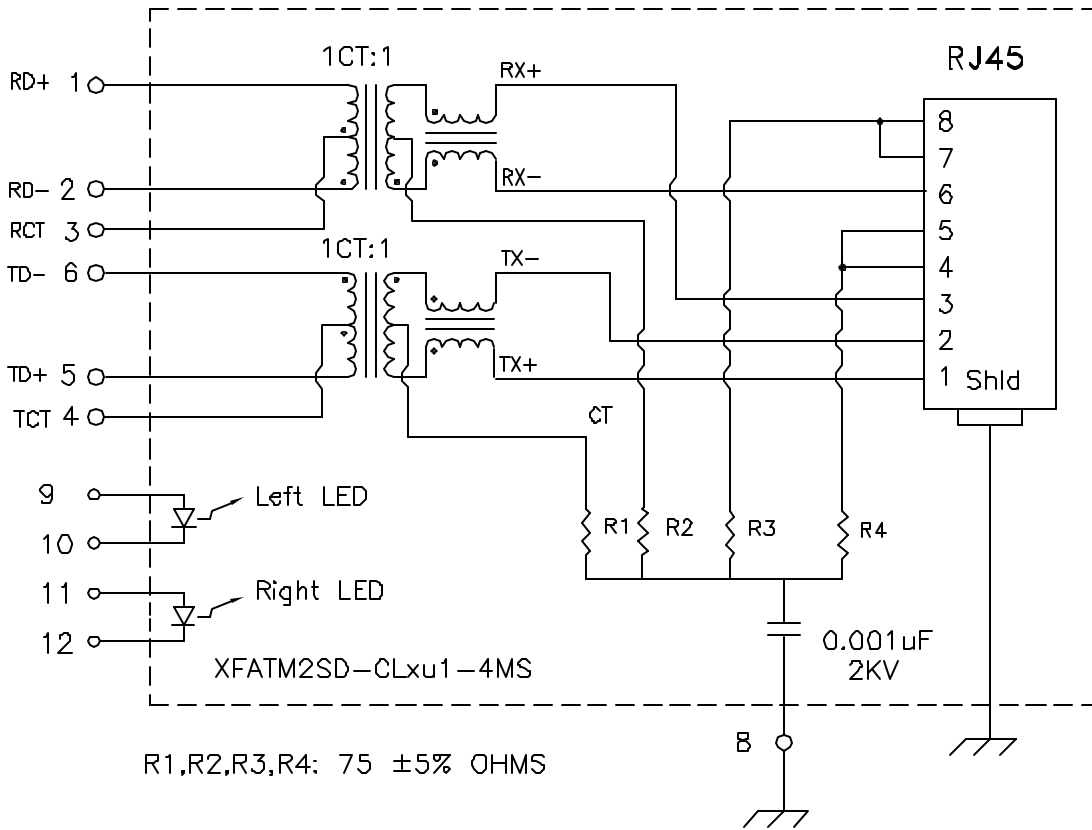


# Schematic:



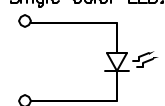
## Electrical Specifications: @25°C

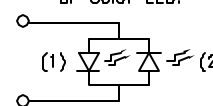
- Isolation Voltage: 1500 Vrms (INPUT to OUTPUT)
- UTP SIDE OCL: 350uH Min @100KHz 100mV 8mADC
- Rise Time (10-90%): 2.5ns Typical
- Insertion Loss (100KHz-999KHz): -1.0dB Maximum
  - (1.0MHz-15.0MHz): -0.3dB Maximum
  - (15.1MHz-60.0MHz): -0.6dB Maximum
  - (60.1MHz-100MHz): -1.1dB Maximum
- Return Loss: (100KHz-60.0MHz): -18dB Typ
  - (60.1MHz-80MHz): -15dB Typ
  - (80.1MHz-100MHz): -12dB Typ
- Crosstalk: (100KHz-60MHz): -43dB Minimum
  - (60.1MHz-100MHz): -38dB Minimum
- Common Mode to Differential Mode Rejection:
  - 100KHz-60MHz -46dB Min (Tx) / -35dB Min (Rx)
  - 60MHz-100MHz -42dB Min (Tx) / -33dB Min (Rx)

Complete the Combo P/N as follows:

Replace 'x' & 'u' in the part number with one of the LED color letters:

Y=Yellow                      'x' = Left LED Color  
 G=Green                        'u' = Right LED Color  
 A=Amber  
 R=Red  
 N=Yellow(1)/Green(2) Bicolor  
 M=Green(1)/Yellow(2) Bicolor

Single Color LED: 

Bi-Color LED: 

### Notes:

- Solderability: Leads shall meet MIL-STD-2026, Method 208H for solderability.
- Flammability: UL94V-0
- ASTM oxygen index: > 28%
- Insulation System: Class F 155°C. UL file E151556
- Operating Temperature Range: All listed parameters are to be within tolerance from -40°C to +85°C
- Storage Temperature Range: -55°C to +125°C
- Aqueous wash compatible
- Electrical and mechanical specifications 100% tested
- RoHS Compliant Component

DOC. REV: A/3

**XFMRs Inc.**  
www.XFMRs.com

UNLESS OTHERWISE SPECIFIED  
 TOLERANCES:  
 .xxx ±0.010  
 Dimensions in Inch  
 SHEET 1 OF 2

Title:

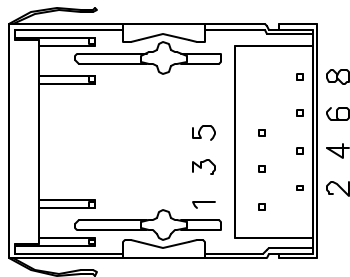
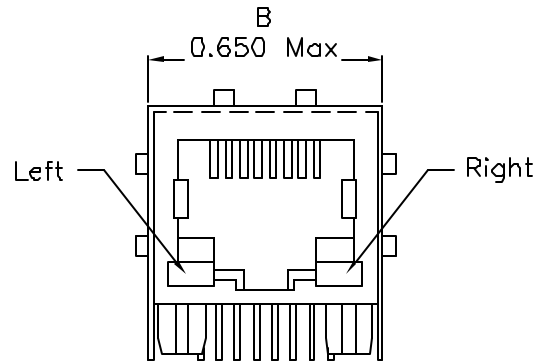
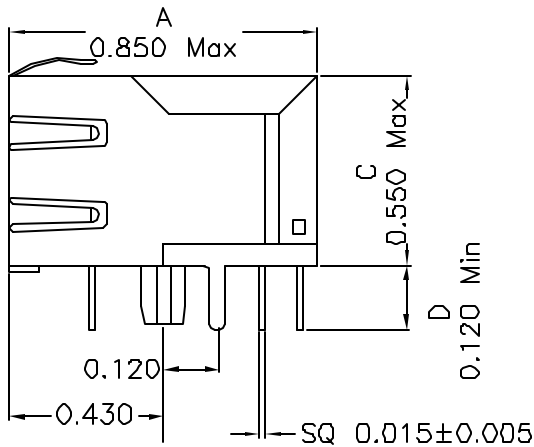
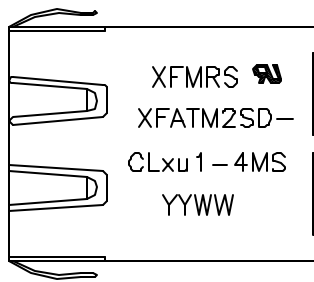
**SINGLE PORT COMBO**

P/N: XFATM2SD-CLxu1-4MS	REV. A
DWN. Juan Mao	Apr-20-07
CHK. YK liao	Apr-20-07
APP. BW	Apr-20-07

## PROPRIETARY:

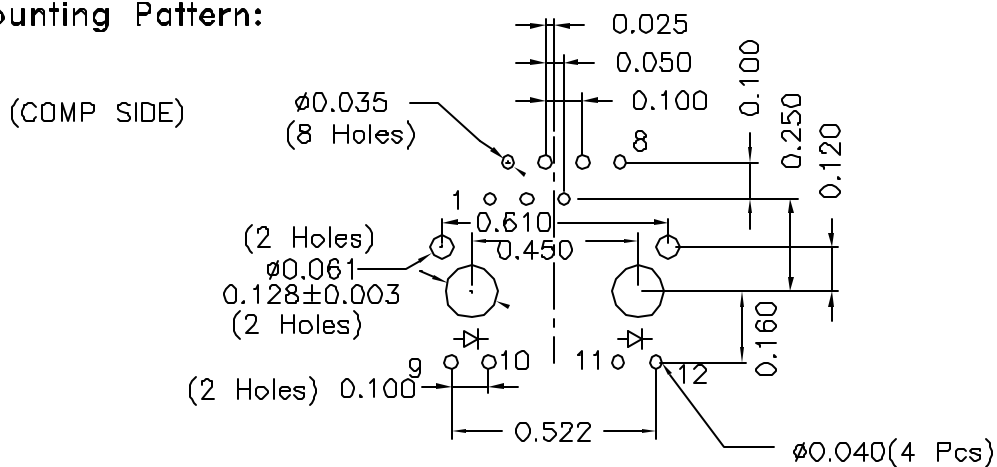
Document is the property of XFMRs Group & is not allowed to be duplicated without authorization.

### Mechanical Dimensions:



(BOTTOM VIEW)

### Mounting Pattern:



DOC. REV: A/3

<b>XFMRS Inc.</b> <a href="http://www.XFMRS.com">www.XFMRS.com</a>	Title: Mechanical Dimensions For CLxu1-4MS Series		
	UNLESS OTHERWISE SPECIFIED TOLERANCES: .xxx ±0.010 Dimensions in Inch	P/N: XFATM2SD-CLxu1-4MS	REV. A
SHEET 2 OF 2	APP.	BW	Apr-20-07

**PROPRIETARY:**

Document is the property of XFMRS Group & is not allowed to be duplicated without authorization.