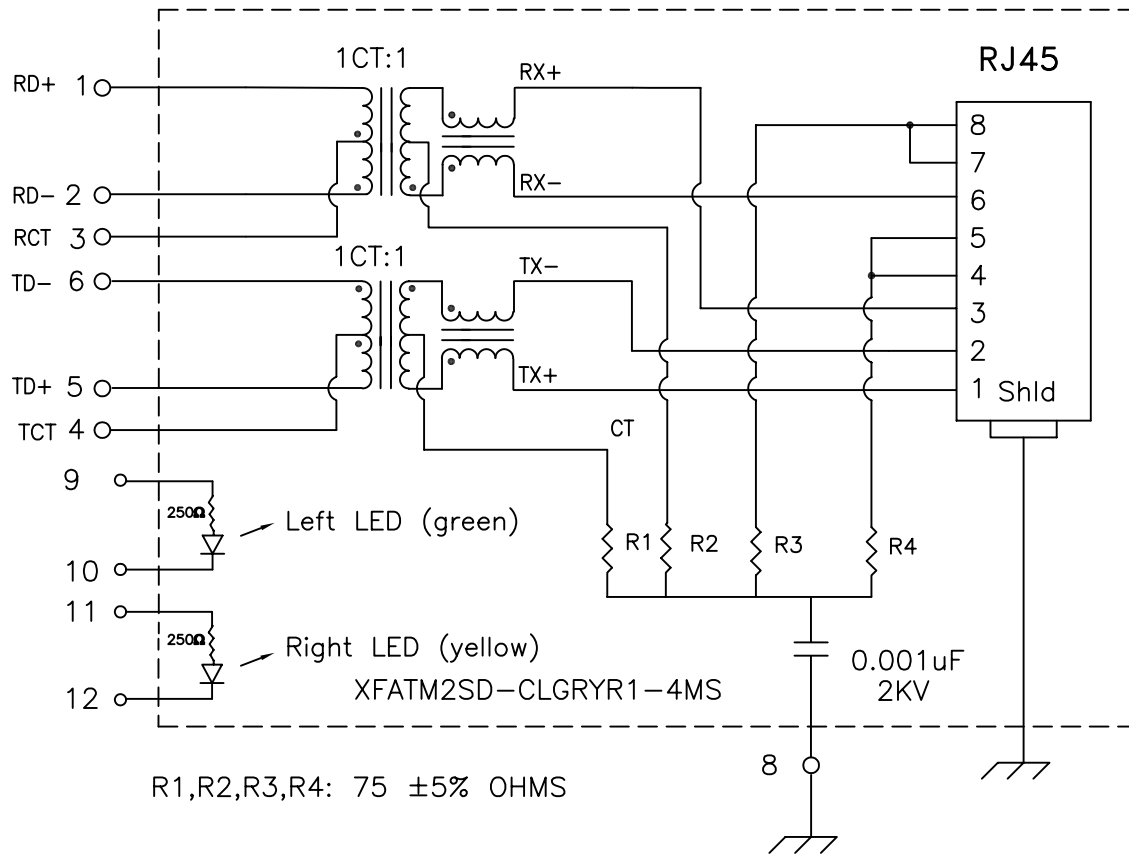


## Schematic:



## Electrical Specifications: @25°C

Isolation Voltage: 1500 Vrms (INPUT to OUTPUT)

UTP SIDE OCL: 350uH Min @100KHz 100mV 8mADC

Rise Time (10-90%): 2.5ns Typical

Insertion Loss (100KHz-999KHz): -1.0dB Maximum  
(1.0MHz-15.0MHz): -0.3dB Maximum  
(15.1MHz-60.0MHz): -0.6dB Maximum  
(60.1MHz-100MHz): -1.1dB Maximum

Return Loss: (100KHz-60.0MHz): -18dB Minimum  
(60.1MHz-80MHz): -15dB Minimum  
(80.1MHz-100MHz): -12dB Minimum

Crosstalk: (100KHz-60MHz): -43dB Minimum  
(60.1MHz-100MHz): -38dB Minimum

Common Mode to Differential Mode Rejection:

100KHz-60MHz -46dB Min (Tx) / -35dB Min (Rx)  
60MHz-100MHz -42dB Min (Tx) / -33dB Min (Rx)

### Notes:

- Solderability: Leads shall meet MIL-STD-202, Method 208D for solderability.
- Flammability: UL94V-0
- ASTM oxygen index: > 28%
- Insulation System: Class F 155°C. UL file E151556
- Operating Temperature Range: -40°C to +85°C

DOC. REV: A/1

**PROPRIETARY**

Document is the property of XFMRs Group & is not allowed to be duplicated without authorization.

**XFMRs Inc.**

UNLESS OTHERWISE SPECIFIED  
TOLERANCES:  
.xxx ±0.010  
Dimensions in Inch  
SHEET 1 OF 2

Title:

**SINGLE PORT COMBO**

P/N: XFATM2SD-CLGRYR1-4MS

REV. A

DWN.

李小锋

Feb-5-04

CHK.

廖玉坤

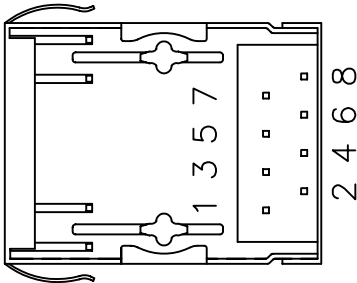
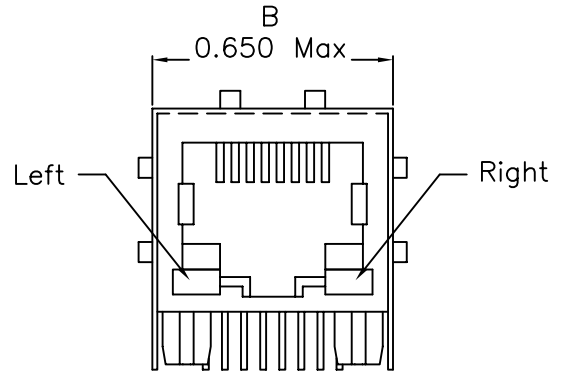
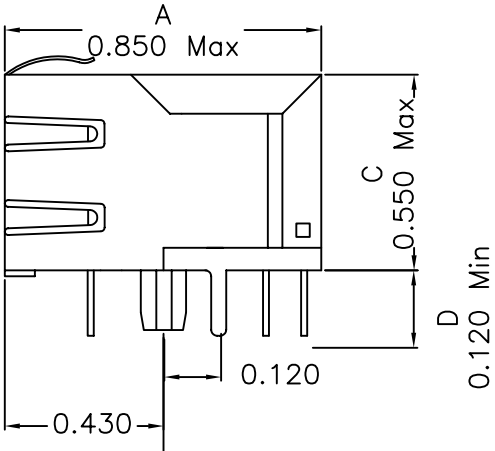
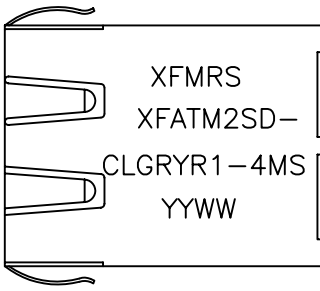
Feb-5-04

APP.

BW

Feb-5-04

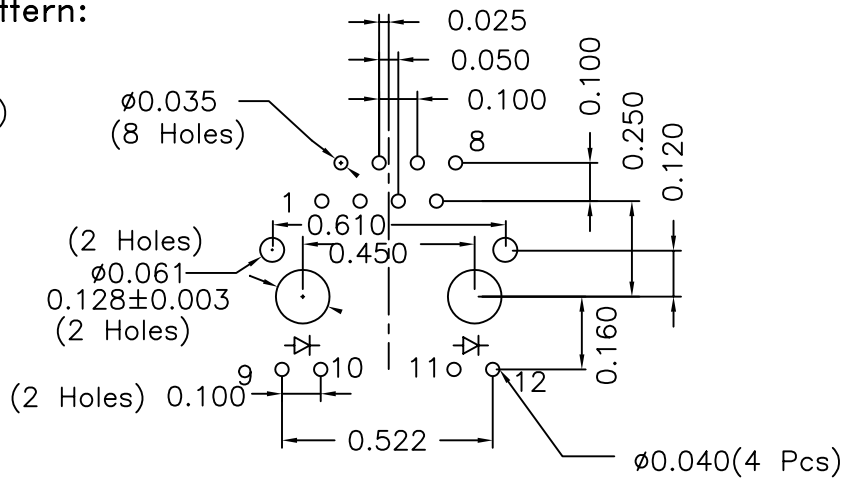
**Mechanical Dimensions:**



(BOTTOM VIEW)

**Mounting Pattern:**

(COMP SIDE)



DOC. REV: A/1

**PROPRIETARY**

Document is the property of XFMRS Group & is not allowed to be duplicated without authorization.

<b>XFMRS Inc.</b>	Title: Mechanical Dimensions For CLxu1-4MS Series		
	UNLESS OTHERWISE SPECIFIED TOLERANCES: .xxx ±0.010 Dimensions in Inch	P/N: XFATM2SD-CLGRYR1-4MS	REV. A
SHEET 2 OF 2	DWN.	李小锋	Feb-5-04
	CHK.	廖玉坤	Feb-5-04
	APP.	BW	Feb-5-04