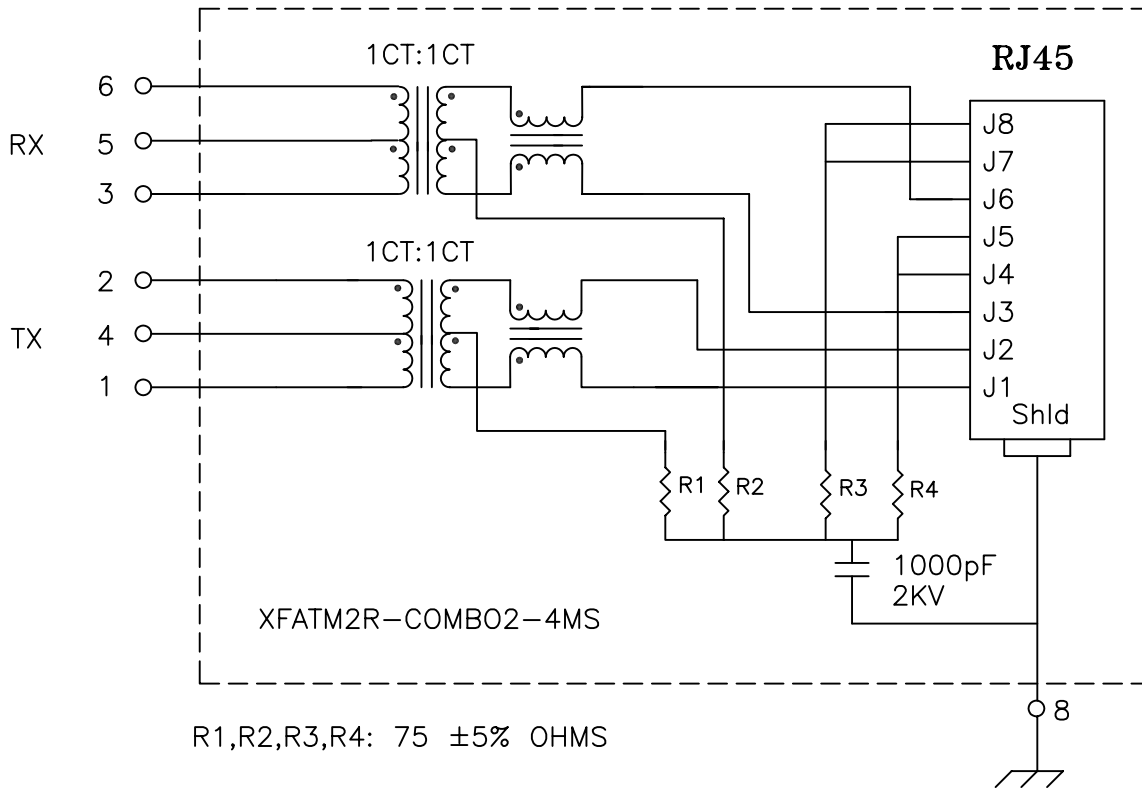


## Schematic:



## Electrical Specifications: @25°C

Isolation Voltage: 1500 Vac

Isolation Voltage: 500 Vac (1+4+2 to 3+5+6)

UTP SIDE OCL: 350uH Min @100KHz 100mV 8mADC

Leakage Inductance: P6-P3 0.3uH Max @100KHz 100mV Short J6 and J3

Leakage Inductance: P2-P1 0.3uH Max @100KHz 100mV Short J2 and J1

Cww: (P6, P5, & P3) to (J6 & J3) 30pF Typ @100KHz 100mV

Cww: (P2, P4, & P1) to (J2 & J1) 30pF Typ @100KHz 100mV

DCR: (J6-J3) = (J2-J1) 1.2 Ohms Max

Rise Time (10-90%): 2.5ns Typ

Insertion Loss (100KHz-100MHz): -1.2dB Max

Return Loss: -18dB Min @1MHz - 30MHz

Return Loss: -12dB Min @60MHz - 80MHz

Crosstalk: 40dB Typ @1MHz to 100MHz

Common Mode to Differential Mode Rejection:

30MHz-100MHz -35dB Typ (Tx) / -35dB Typ (Rx)

**PRELIMINARY**

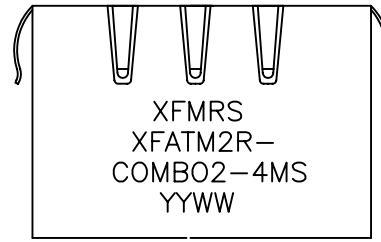
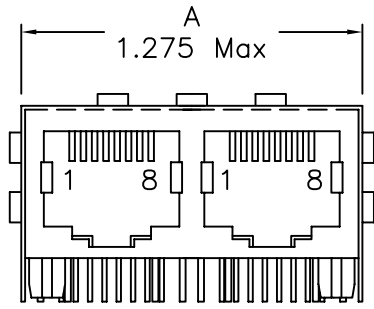
### Notes:

- Solderability: Leads shall meet MIL-STD-202, Method 208D for solderability.
- Flammability: UL94V-0
- ASTM oxygen index: > 28%
- Insulation System: Class F 155°C. UL file E151556
- Operating Temperature Range: All listed parameters are to be within tolerance from -40°C to +85°C
- Storage Temperature Range: -55°C to +125°C
- Aqueous wash compatible

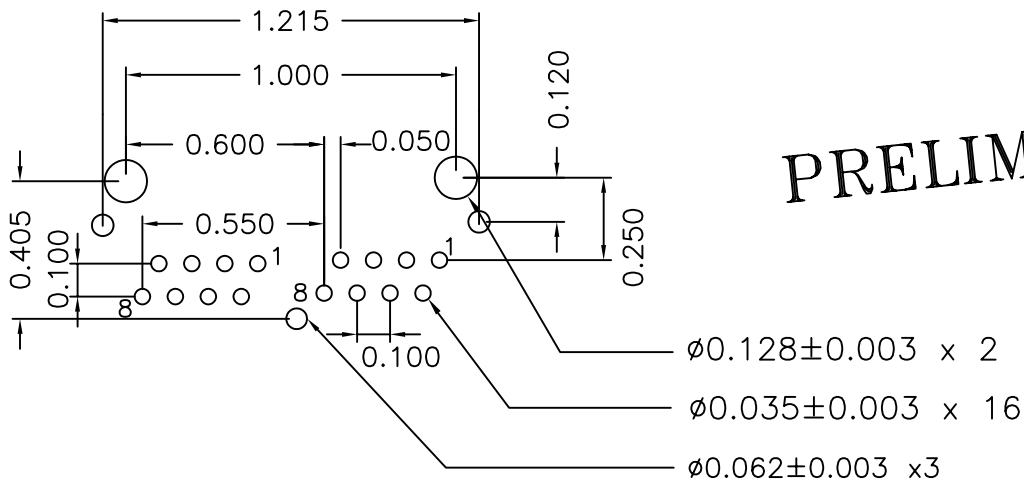
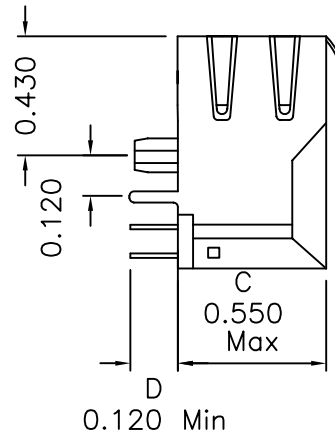
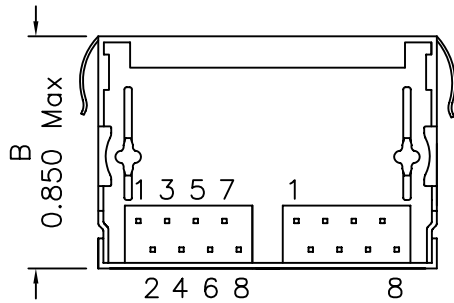
DOC. REV: A/1

<b>XFMRs Inc.</b> UNLESS OTHERWISE SPECIFIED TOLERANCES: .xxx ±0.010 Dimensions in Inch SHEET 1 OF 2	Title: SINGLE PORT COMBO	
	P/N: XFATM2R-COMBO2-4MS	REV. A
	DWN. 罗振江	Aug-08-03
	CHK. 廖玉坤	Aug-08-03
APP. BW	Aug-08-03	

**Mechanical Dimensions:**



TOP VIEW



SUGGESTED MOUNTING PATTERN

**PRELIMINARY**

DOC REV: A/1

<b>XFMRS Inc.</b> UNLESS OTHERWISE SPECIFIED TOLERANCES: .xxx ±0.010 Dimensions in Inch SHEET 1 OF 3	Title: Mechanical Dimensions For COMBO2-4MS Series	
	P/N:XFATM2R-COMBO2-4MS	REV. A
	DWN. 罗振江	Aug-08-03
	CHK. 廖玉坤	Aug-08-03
APP. BW	Aug-08-03	