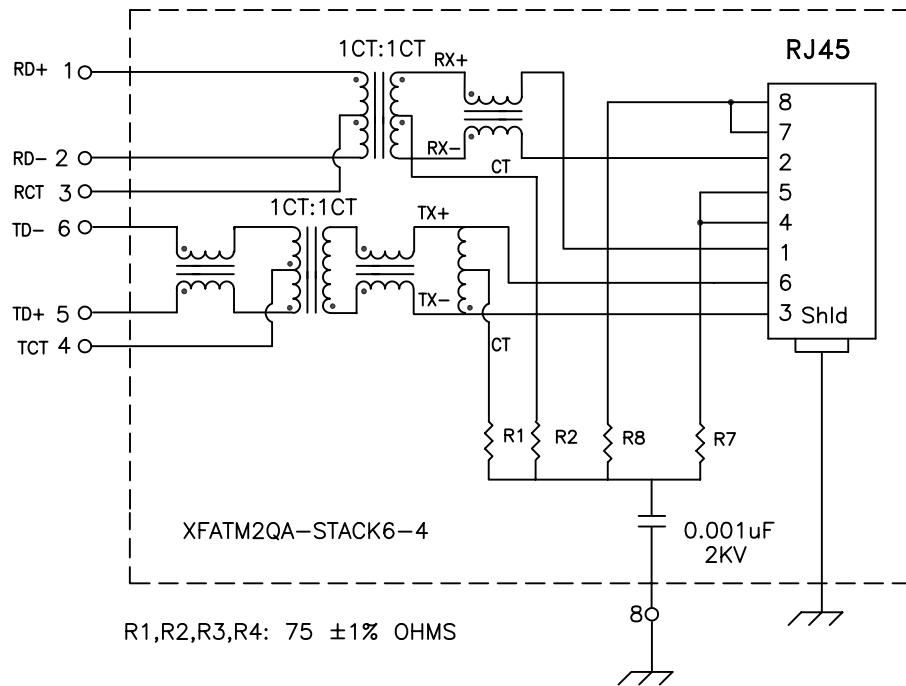


## Schematic:



## Electrical Specifications: @25°C

Isolation Voltage: 1500 Vrms (INPUT to OUTPUT)  
 UTP SIDE OCL: 350uH Min @100KHz 100mV 8mADC  
 Rise Time (10-90%): 2.5ns Typical  
 Insertion Loss (100KHz-100MHz): -1.1dB Maximum  
 Insertion Loss (100MHz-125MHz): -1.5dB Maximum  
 Return Loss: -20dB Min. @30MHz  
 -15dB Min. @80MHz

### Crosstalk:

100KHz-60MHz -40dB Typical  
 60MHz-100MHz -38dB Typical

### Common Mode to Differential Mode Rejection:

100KHz-60MHz -45dB Typ (Tx) / -40dB Typ (Rx)  
 60MHz-100MHz -40dB Typ (Tx) / -35dB Typ (Rx)

### Notes:

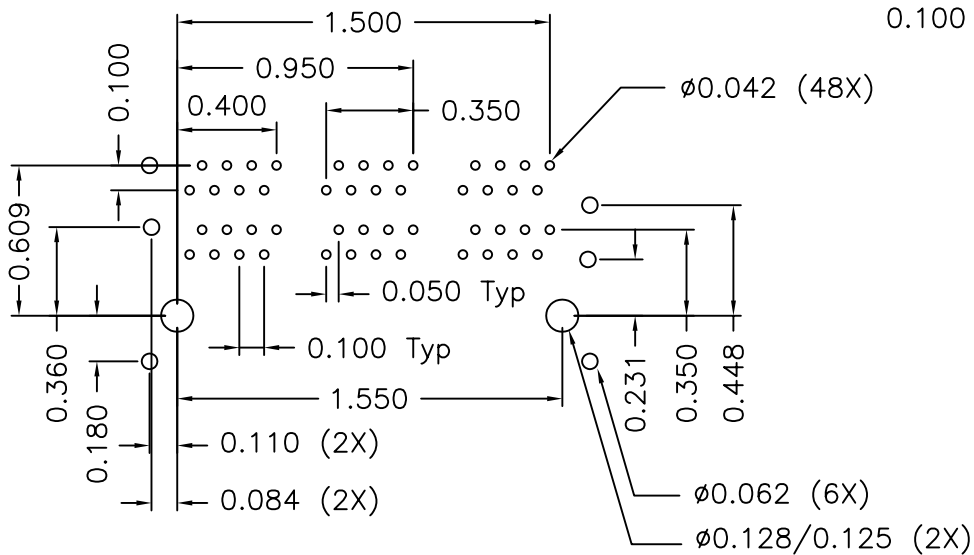
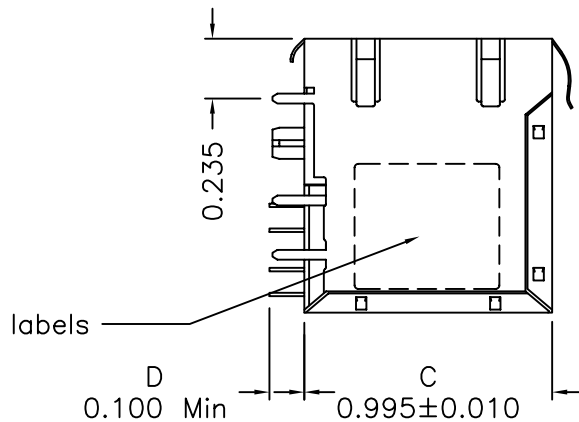
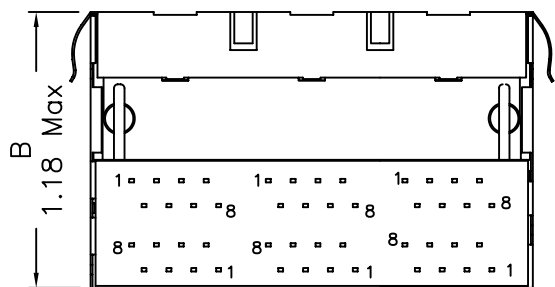
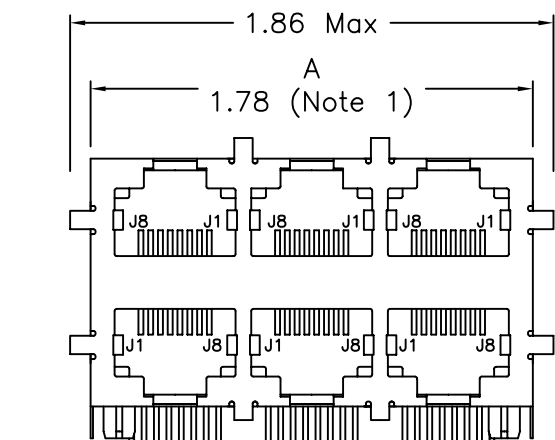
1. Solderability: Leads shall meet MIL-STD-202, Method 208D for solderability.
2. Flammability: UL94V-0
3. ASTM oxygen index: > 28%
4. Temperature rating: 155°C. UL file E151556
5. Operating Temperature Range: All listed parameters are to be within tolerance from -40°C to +85°C

|                   |   |                        |           |
|-------------------|---|------------------------|-----------|
| <b>XFMRs Inc.</b> | Title: 2x3 STACKED COMBO SERIES   |                        |           |
|                   | UNLESS OTHERWISE SPECIFIED TOLERANCES:<br>.xxx ±0.010<br>Dimensions in Inch | P/N: XFATM2QA-STACK6-4 | REV. A    |
|                   |   | DWN. 廖玉坤               | Mar-25-03 |
|                   |   | CHK. 李清儿               | Mar-25-03 |
| SHEET 1 OF 2      | APP. Isaiah M   | Mar-25-03              |           |

DOC REV: A/1

# Mechanical Dimensions:

Note 1 This dimension applies to the front outside dimension of the connector. Add 0.020 to this dimension for the width at the rear of the connector where the shield sections overlap.



SUGGESTED MOUNTING PATTERN (COMPONENT SIDE)

DOC REV: A/1

|   |  |          |           |
|---|--|----------|-----------|
| <b>XFMRs Inc.</b>   | Title: Mechanical Dimensions<br>For 2x3 STACKED COMBO Series |          |           |
| UNLESS OTHERWISE SPECIFIED<br>TOLERANCES:<br>.xx ±0.010 .xxx ±0.005<br>Dimensions in Inch | P/N: XFATM2QA-STACK6-4                                       |          | REV. A    |
|   | DWN.   | 廖玉坤      | Mar-25-03 |
|   | CHK.   | 李清儿      | Mar-25-03 |
|   | APP.   | Isaiah M | Mar-25-03 |
| SHEET 2 OF 2  |  |          |           |