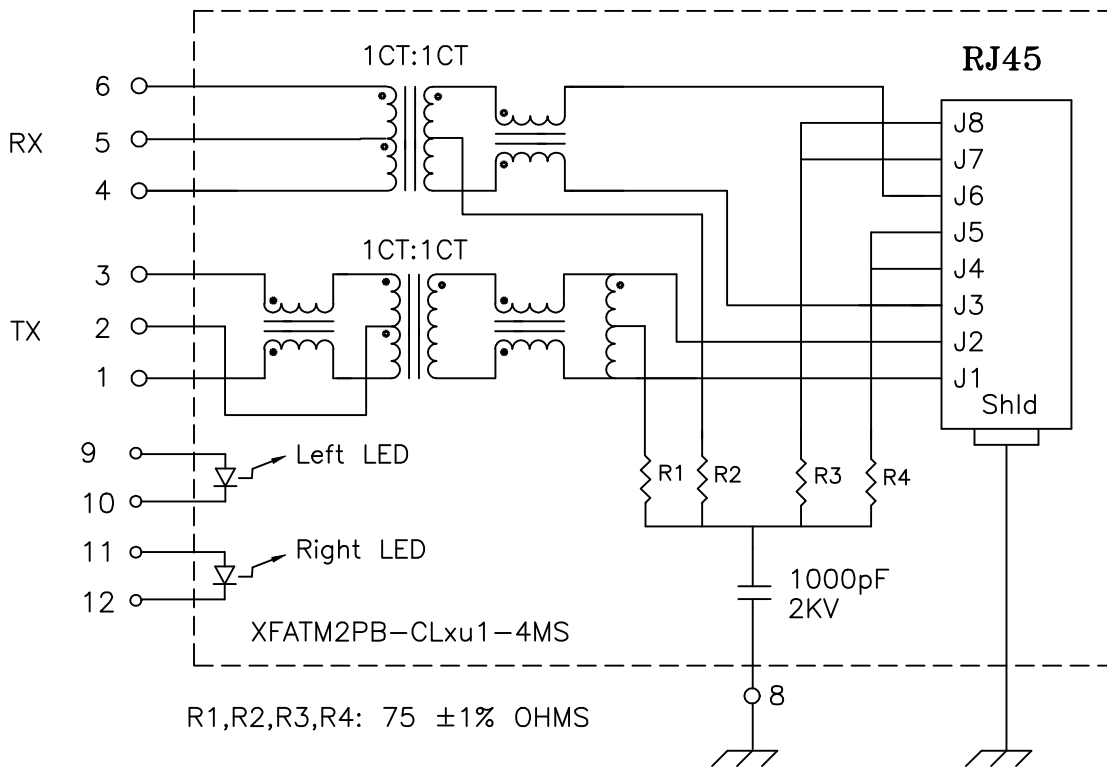


### Schematic:



R1,R2,R3,R4: 75 ±1% OHMS

### Electrical Specifications: @25°C

Isolation Voltage: 1500 Vac (J1+J2 to P1+P3), (J3+J6 to P4+P6)

Isolation Voltage: 500 Vac (1+2+3 to 4+5+6)

OCL: P6-P4, 350uH Min @100KHz 100mV 8mADC

OCL: P3-P1, 350uH Min @100KHz 100mV 8mADC

Interwinding Capacitance: 30pF Max (P6,P5,P4 to J6,J3)

Interwinding Capacitance: 30pF Max (P3,P2,P1 to J2,J1)

Rise Time (10-90%): 3.0ns Max

Insertion Loss (300KHz-100MHz): -1.1dB Maximum

Insertion Loss (100MHz-125MHz): -1.5dB Maximum

Return Loss: -12dB Typical @1MHz - 80MHz

Crosstalk:

1MHz-100MHz -40dB Typical

Common Mode to Differential Mode Rejection:

30MHz-100MHz -35dB Typ (Tx) / -35dB Typ (Rx)

#### Notes:

1. Solderability: Leads shall meet MIL-STD-202, Method 208D for solderability.
2. Flammability: UL94V-0
3. ASTM oxygen index: > 28%
4. Insulation System: Class F 155°C. UL file E151556
5. Operating Temperature Range: All listed parameters are to be within tolerance from -40°C to +85°C
6. Storage Temperature Range: -55°C to +125°C
7. Aqueous wash compatible

Complete the Combo P/N as follows:

Replace 'x' & 'u' in the part number with one of the four LED color letters:

'x' = Left LED Color  
'u' = Right LED Color

Y=Yellow  
G=Green  
A=Amber  
R=Red  
YG=Yellow/Green Bicolor

DOC. REV: A/1

**XFMRs Inc.**

UNLESS OTHERWISE SPECIFIED  
TOLERANCES:  
.xxx ±0.010  
Dimensions in Inch  
SHEET 1 OF 2

Title:

**SINGLE PORT COMBO**

P/N: XFATM2PB-CLxu1-4MS

REV. A

DWN.

廖玉坤

Jul-31-01

CHK.

李清儿

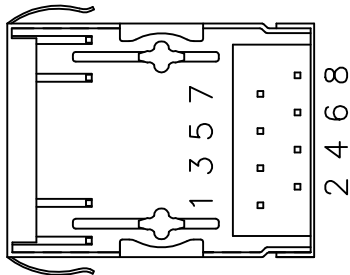
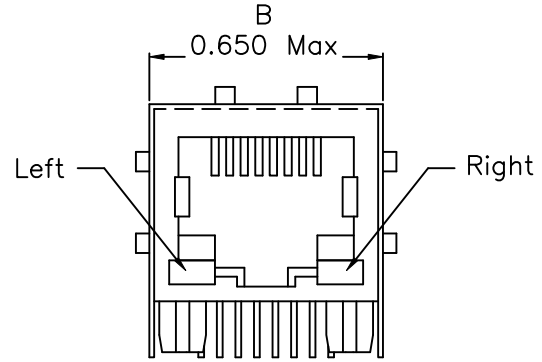
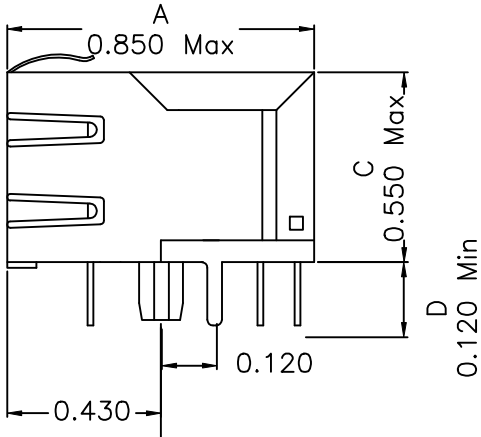
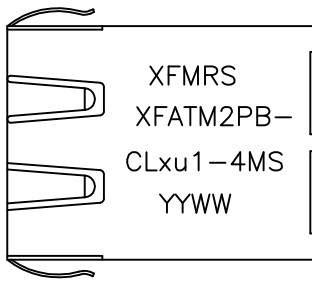
Jul-31-01

APP.

BW

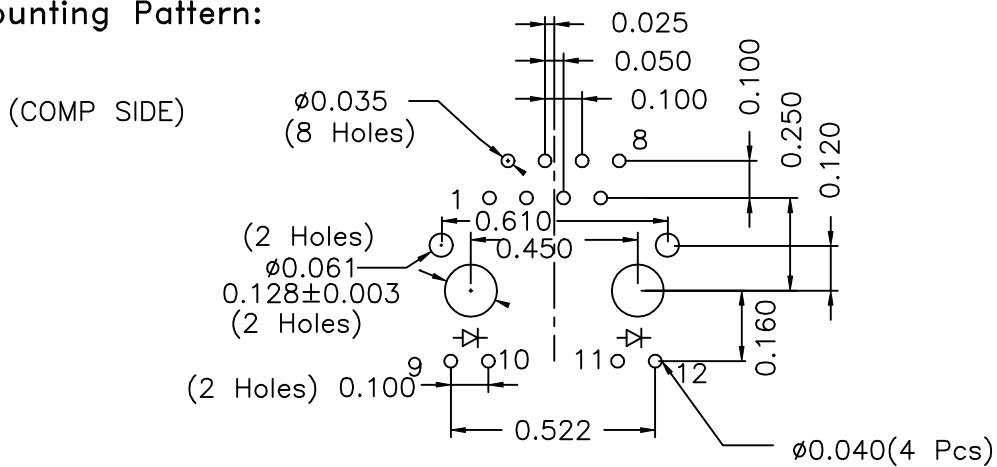
Jul-31-01

**Mechanical Dimensions:**



(BOTTOM VIEW)

**Mounting Pattern:**



DOC. REV: A/1

<b>XFMRS Inc.</b>		Title: Mechanical Dimensions For CLxu1-4MS Series	
UNLESS OTHERWISE SPECIFIED	P/N: XFATM2PB-CLxu1-4MS	REV. A	
TOLERANCES:	DWN.	李小锋	Jul-31-01
.xxx ±0.010	CHK.	廖玉坤	Jul-31-01
Dimensions in Inch	APP.	BW	Jul-31-01
SHEET 2 OF 2			