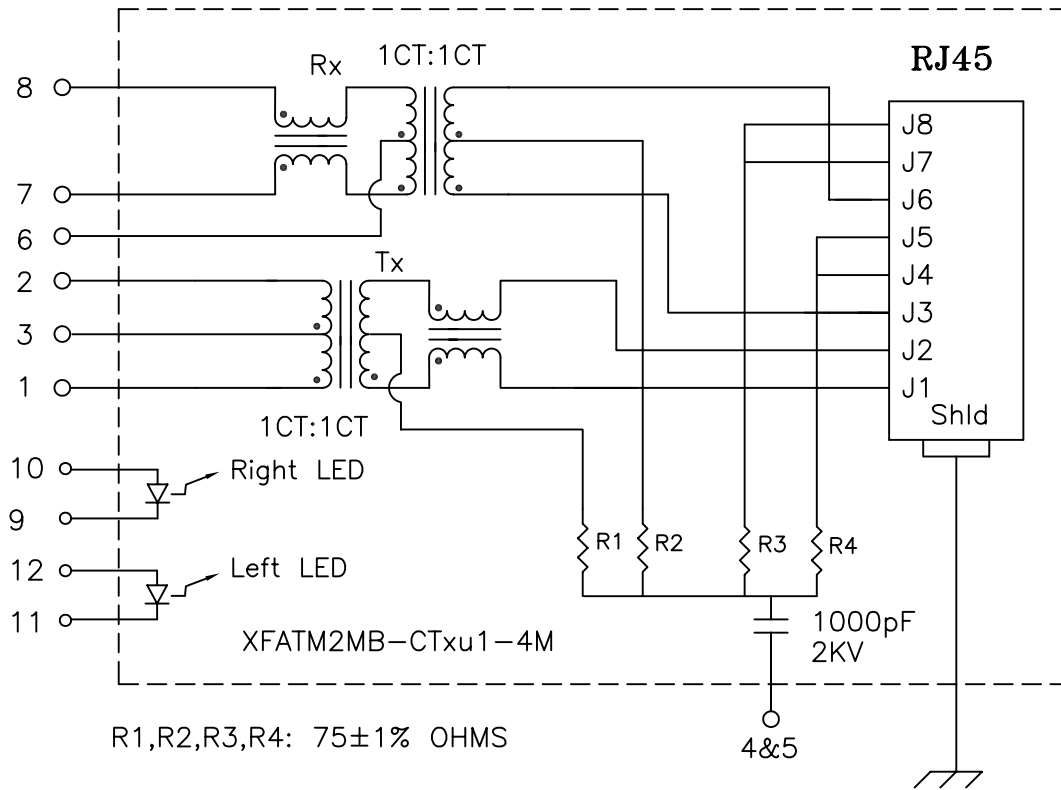


## Schematic:



## Electrical Specifications: @25°C

Isolation Voltage: 1500Vrms(INPUT to OUTPUT), 500Vrms(Tx to Rx)

UTP SIDE OCL: 350uH Min @100KHz 100mV 8mADC

Rise Time (10-90%): 2.5ns Typical

Insertion Loss (1MHz-65MHz): -1.0dB Maximum

Return Loss: -18dB Min. @30MHz

-12dB Typ. @80MHz

Crosstalk:

300KHz-60MHz -40dB Typical

60MHz-100MHz -38dB Typical

Common Mode to Differential Mode Rejection:

300KHz-60MHz -45dB Typ (Tx) / -40dB Typ (Rx)

60MHz-100MHz -40dB Typ (Tx) / -35dB Typ (Rx)

### Notes:

- Solderability: Leads shall meet MIL-STD-202, Method 208D for solderability.
- Flammability: UL94V-0
- ASTM oxygen index: > 28%
- Insulation System: Class F 155°C. UL file E151556
- Operating Temperature Range: All listed parameters are to be within tolerance from -40°C to +85°C
- Storage Temperature Range: -55°C to +125°C
- Aqueous wash compatible
- Electrical and mechanical specifications 100% tested
- RoHS Compliant Component

Complete the Combo P/N as follows:

Replace 'x' & 'u' in the part number with one of the LED color letters:

Y=Yellow

G=Green

A=Amber

R=Red

C=Green(1)/Amber(2) Bicolor

D=Amber(1)/Green(2) Bicolor

M=Green(1)/Yellow(2) Bicolor

N=Yellow(1)/Green(2) Bicolor

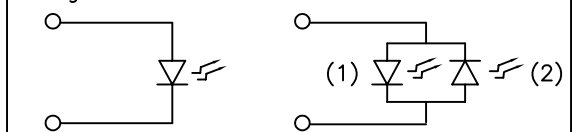
P=Red(1)/Green(2) Bicolor

Q=Green(1)/Red(2) Bicolor

Single Color LED:



Bi-Color LED:



DOC REV: B/2

**PROPRIETARY:**

Document is the property of XFMRS Group & is not allowed to be duplicated without authorization.

**XFMRS Inc.**  
www.XFMRS.com

UNLESS OTHERWISE SPECIFIED  
TOLERANCES:  
.xxx ±0.010  
Dimensions in Inch  
SHEET 1 OF 2

Title:

**Single Port Tab Up COMBO**

P/N: XFATM2MB-CTxu1-4M

REV. B

DWN.

Juan Mao

Jun-23-05

CHK.

YK Liao

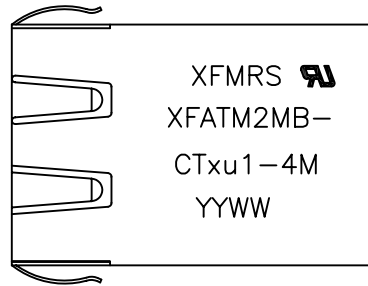
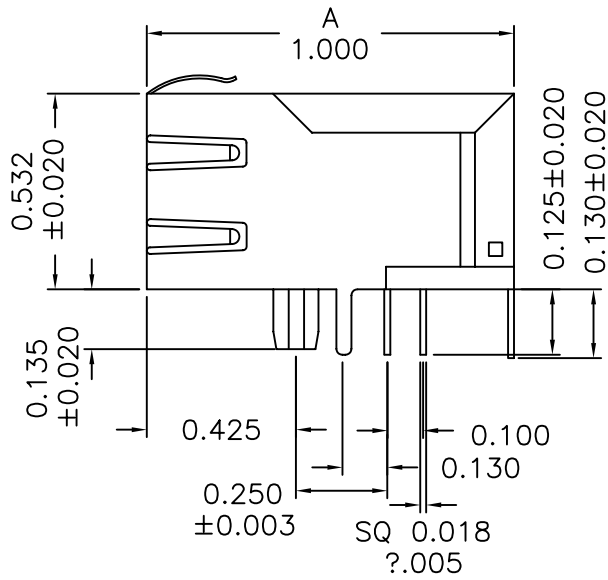
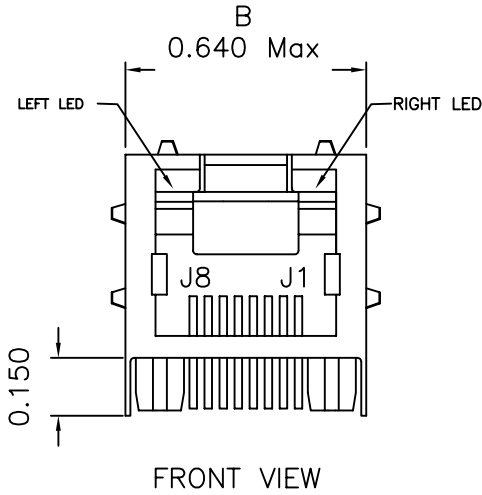
Jun-23-05

APP.

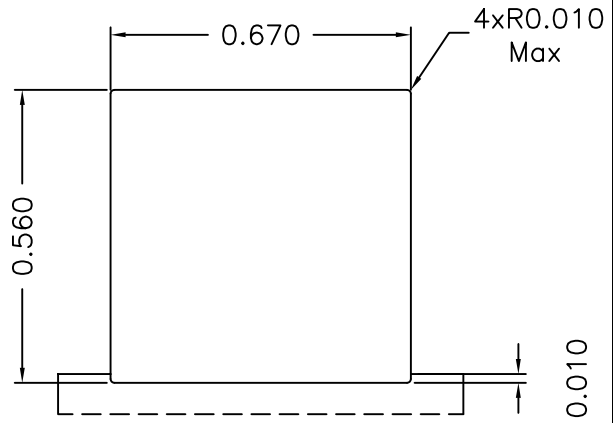
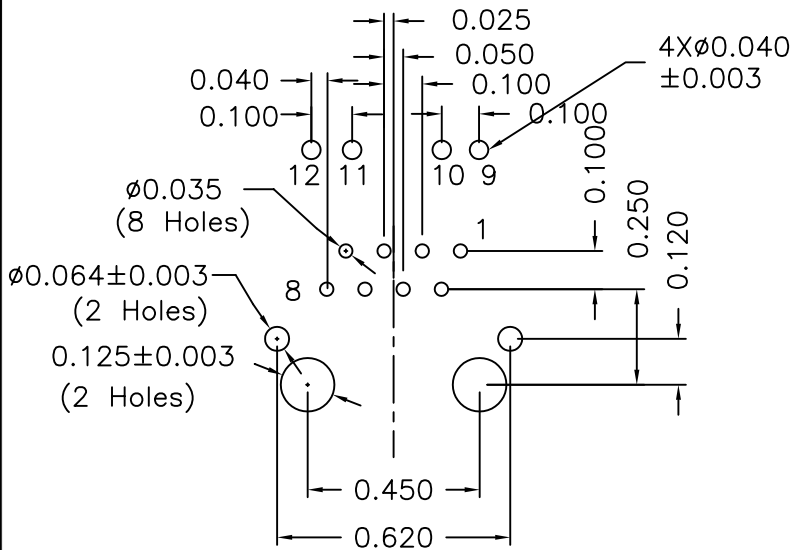
Isaiah M

Jun-23-05

**Mechanical Dimensions:**



**Mounting Pattern:**



**FACE VIEW**  
**RECOMMENDED PANEL CUTOUT**

DOC. REV B/2

**XFMRS Inc.**  
www.XFMRS.com

Title: Mechanical Dimensions  
For TAB UB RJ45 COMBO

UNLESS OTHERWISE SPECIFIED  
TOLERANCES:  
.xxx  $\pm 0.010$   
Dimensions in Inch

P/N: XFATM2MB-CTxu1-4M	REV. B
DWN. Juan Mao	Jun-23-05
CHK. YK Liao	Jun-23-05
APP. Isaiah M	Jun-23-05

SHEET 2 OF 2

**PROPRIETARY:**

Document is the property of XFMRS Group & is not allowed to be duplicated without authorization.