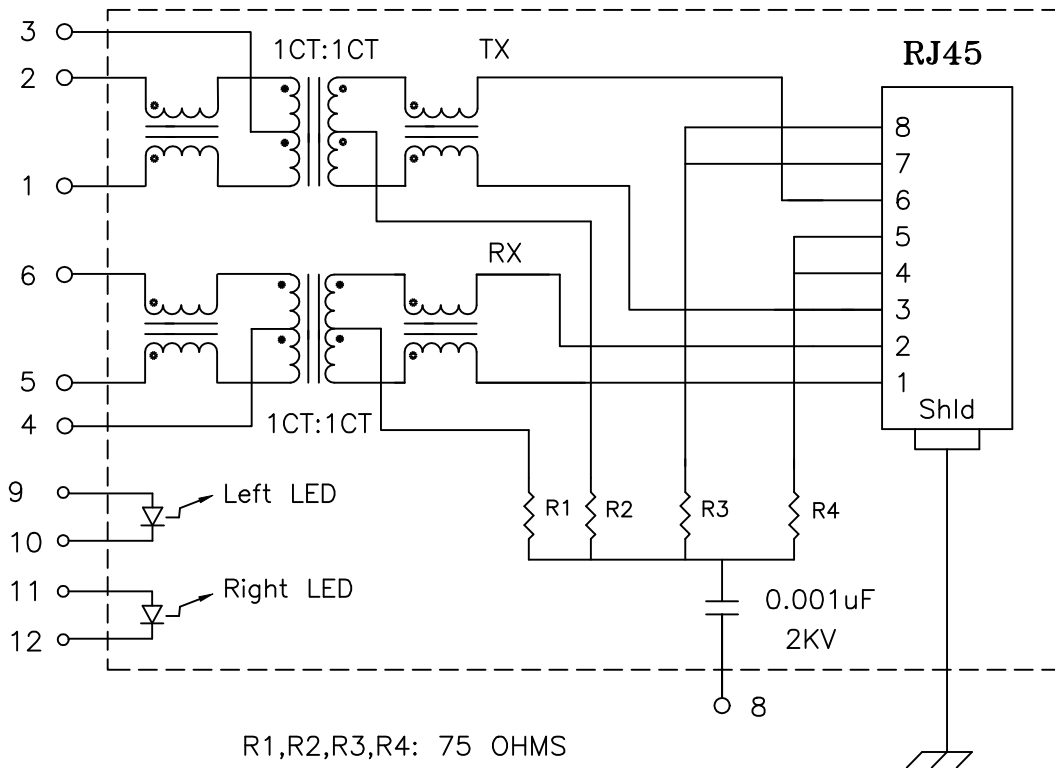


Schematic:



Electrical Specifications: @25°C

- Isolation Voltage: 1500 Vrms (Input to Output)
- Isolation Voltage: 500 Vrms (P1+2+3 to P4+5+6)
- Turns Ratio: TX 1CT:1CT $\pm 3\%$ RX 1CT:1CT $\pm 3\%$
- CABLE SIDE OCL: 350uH Minimum @100KHz 100mV 8mADC
- Cw/w: 27pF Typical @100KHz 100mV
- Insertion Loss (300KHz-100MHz): -1.0dB Minimum
- Return Loss: @30MHz -20dB Minimum
- @80MHz -15dB Minimum

Notes:

1. Solderability: Leads shall meet MIL-STD-202, Method 208D for solderability.
2. Flammability: UL94V-0
3. ASTM oxygen index: > 28%
4. Insulation System: Class F 155°C. UL file E151556
5. Operating Temperature Range: All listed parameters are to be within tolerance from -40°C to +85°C
6. Storage Temperature Range: -55°C to +125°C
7. Aqueous wash compatible

Complete the Combo P/N as follows:

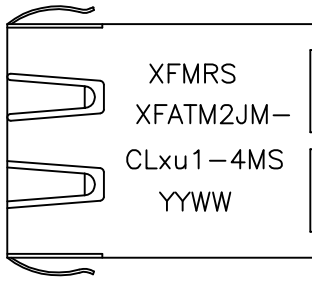
Replace 'x' & 'u' in the part number with one of the four LED color letters:

'x' = Left LED Color Y=Yellow
'u' = Right LED Color G=Green
 A=Amber
 R=Red

DOC. REV: A/1

XFMRs Inc. UNLESS OTHERWISE SPECIFIED TOLERANCES: .xxx ± 0.010 Dimensions in Inch SHEET 1 OF 2	Title: SINGLE PORT COMBO		
	P/N: XFATM2JM-CLxu-4MS		REV. A
	DWN.	李清儿	Jan-16-02
	CHK.	孙悦	Jan-16-02
APP.	BW	Jan-16-02	

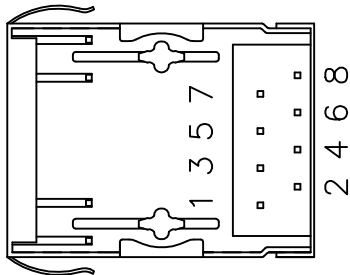
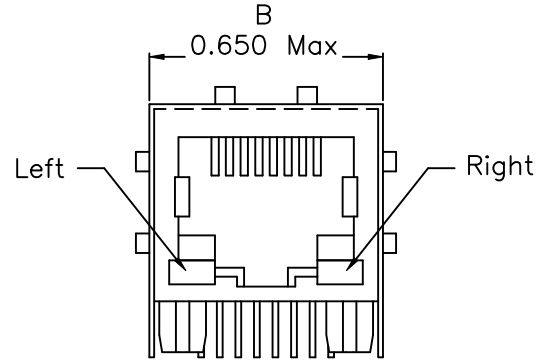
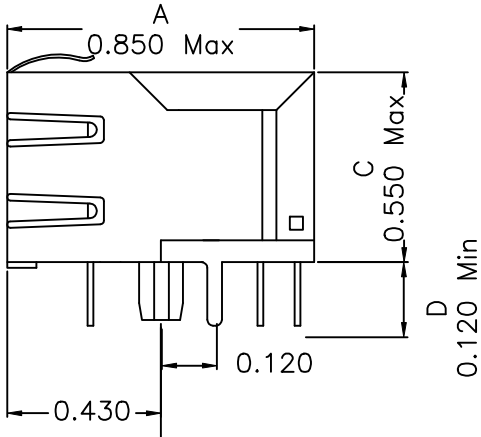
Mechanical Dimensions:



Complete the Combo P/N as follows:

Replace 'x' & 'u' in the part number with one of the four LED color letters:

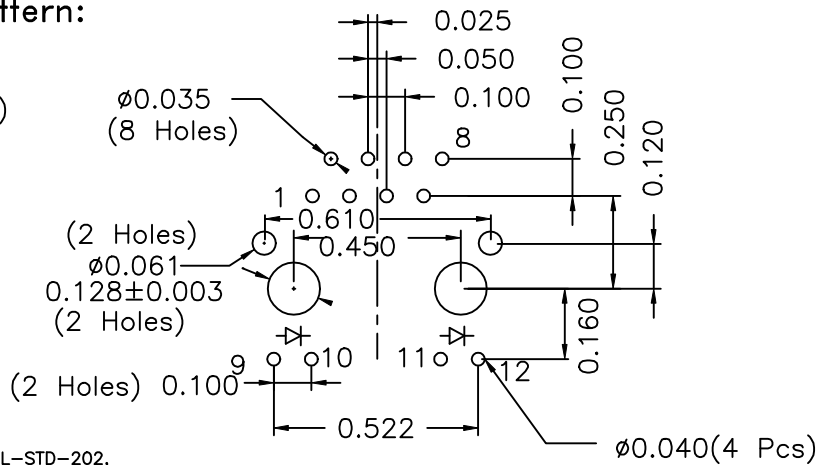
'x' = Left LED Color	Y=Yellow
'u' = Right LED Color	G=Green
	A=Amber
	R=Red



(BOTTOM VIEW)

Mounting Pattern:

(COMP SIDE)



Notes:

- Solderability: Leads shall meet MIL-STD-202, Method 208D for solderability.
- Flammability: UL94V-0
- ASTM oxygen index: > 28%
- Insulation System: Class F 155°C. UL file E151556
- Operating Temperature Range: All listed parameters are to be within tolerance from -40°C to +85°C
- Storage Temperature Range: -55°C to +125°C
- Aqueous wash compatible

DOC. REV: A/1

XFMRS Inc.		Title: Mechanical Dimensions For CLxu1-4MS Series	
UNLESS OTHERWISE SPECIFIED TOLERANCES: .xxx ±0.010 Dimensions in Inch	P/N: XFATM2JM-CLxu1-4MS	REV. A	
	DWN.	李小锋	Jan-16-02
	CHK.	廖玉坤	Jan-16-02
SHEET 2 OF 2	APP.	BW	Jan-16-02