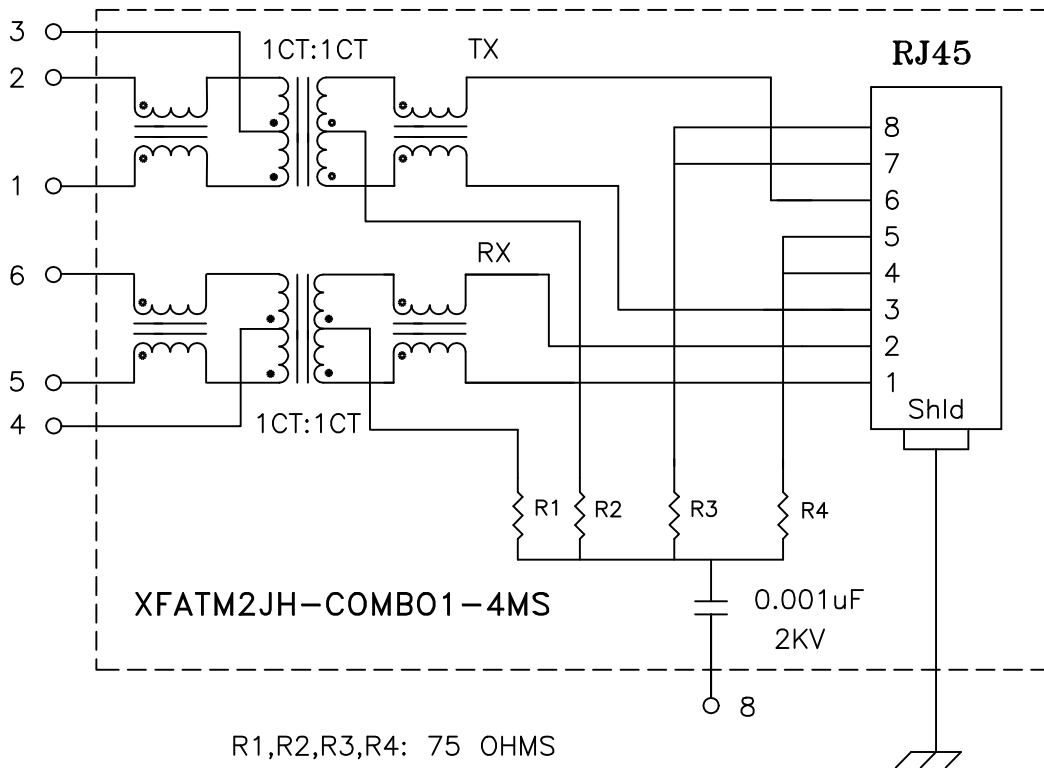


Schematic:



R1,R2,R3,R4: 75 OHMS

Electrical Specifications: @25°C

- Isolation Voltage: 1500 Vrms (Input to Output)
- Isolation Voltage: 500 Vrms (P1+2+3 to P4+5+6)
- Turns Ratio: TX 1CT:1CT ±3% RX 1CT:1CT ±3%
- CABLE SIDE OCL: 350uH Minimum @100KHz 100mV 8mADC
- Cw/w: 27pF Typical @100KHz 100mV
- Insertion Loss (300KHz-100MHz): -1.0dB Minimum
- Return Loss: @30MHz -20dB Minimum
- @80MHz -15dB Minimum

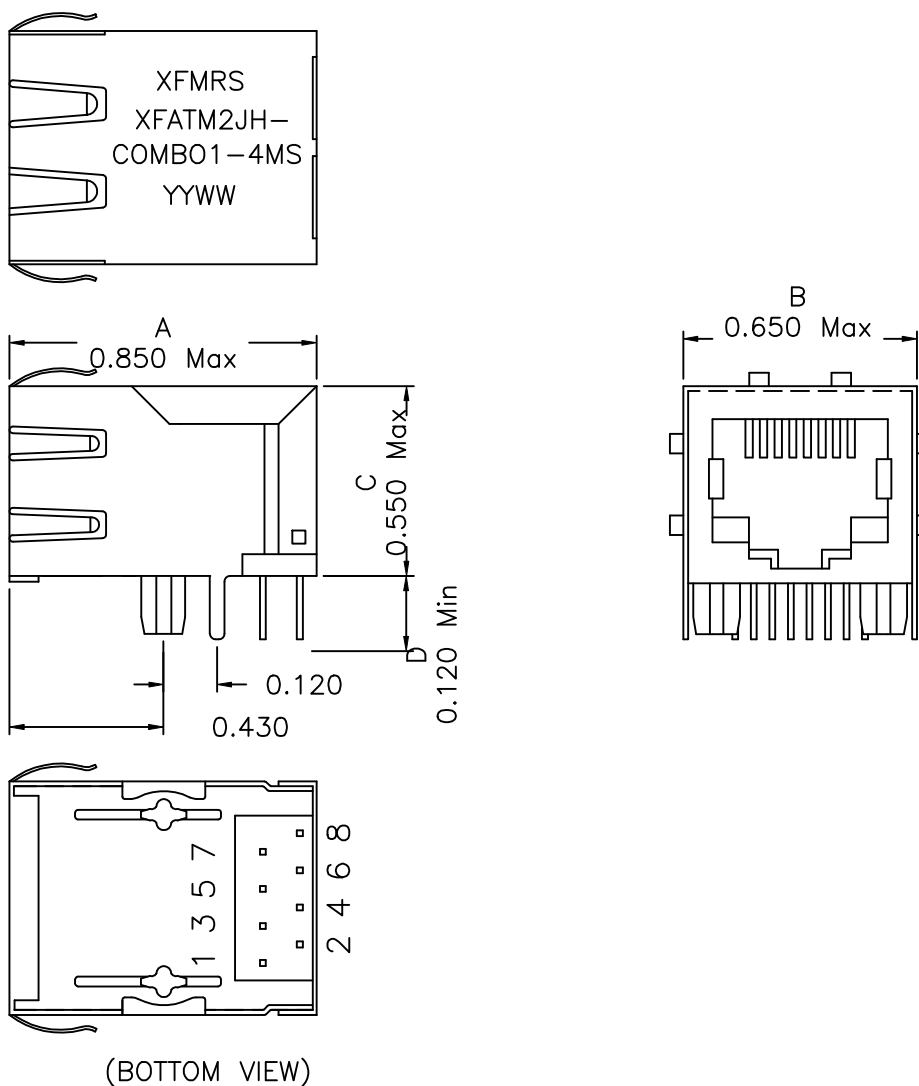
Notes:

1. Solderability: Leads shall meet MIL-STD-202, Method 208D for solderability.
2. Flammability: UL94V-0
3. ASTM oxygen index: > 28%
4. Insulation System: Class F 155°C. UL file E151556
5. Operating Temperature Range: All listed parameters are to be within tolerance from -40°C to +85°C
6. Storage Temperature Range: -55°C to +125°C
7. Aqueous wash compatible

DOC. REV: A/1

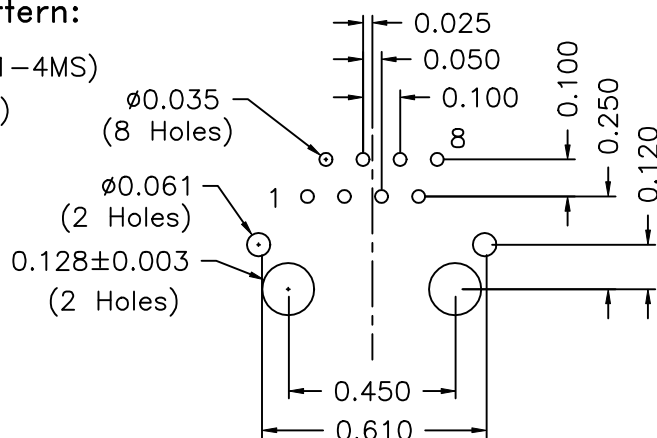
XFMRs Inc.	Title: SINGLE PORT COMBO		
	UNLESS OTHERWISE SPECIFIED	P/N: XFATM2JH-COMBO1-4MS	REV. A
TOLERANCES: .xxx ±0.010	DWN.	李清儿	Nov-29-02
Dimensions in Inch	CHK.	孙悦	Nov-29-02
SHEET 1 OF 2	APP.	BW	Nov-29-02

Mechanical Dimensions:



Mounting Pattern:

(FOR COMBO1-4MS)
(COMP SIDE)



XFMR5 Inc.		Title: Mechanical Dimensions For COMBO1-4MS Series	
UNLESS OTHERWISE SPECIFIED TOLERANCES: .xxx ±0.010 Dimensions in Inch	P/N: XFATM2JH-COMBO1-4MS	REV. A	
	DWN.	李清儿	Nov-29-02
SHEET 2 OF 2	CHK.	孙悦	Nov-29-02
	APP.	BW	Nov-29-02