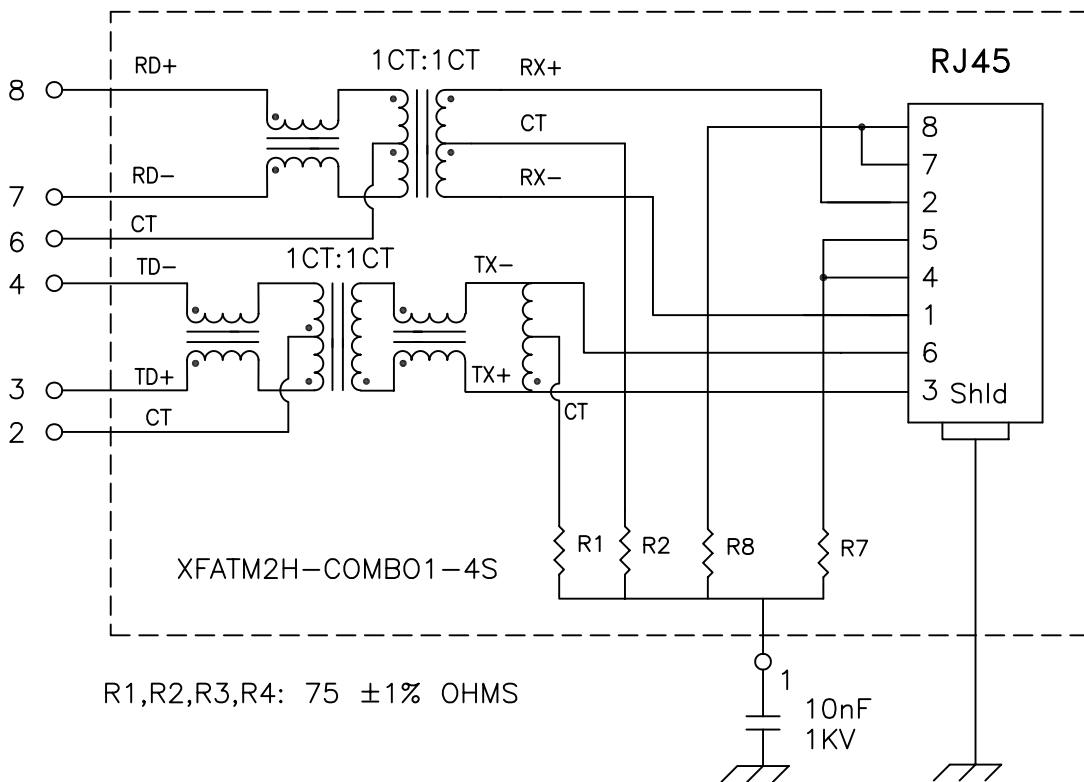


Schematic:



Electrical Specifications: @25°C

Isolation Voltage: 1500 Vrms (INPUT to OUTPUT)
 UTP SIDE OCL: 350uH Min @100KHz 100mV 8mADC
 Rise Time (10-90%): 2.5ns Typical
 Insertion Loss (100KHz-100MHz): -1.1dB Maximum
 Insertion Loss (100MHz-125MHz): -1.5dB Maximum
 Return Loss: -20dB Min. @30MHz
 -12dB Min. @80MHz

Crosstalk:

100KHz-60MHz -40dB Typical
 60MHz-100MHz -38dB Typical

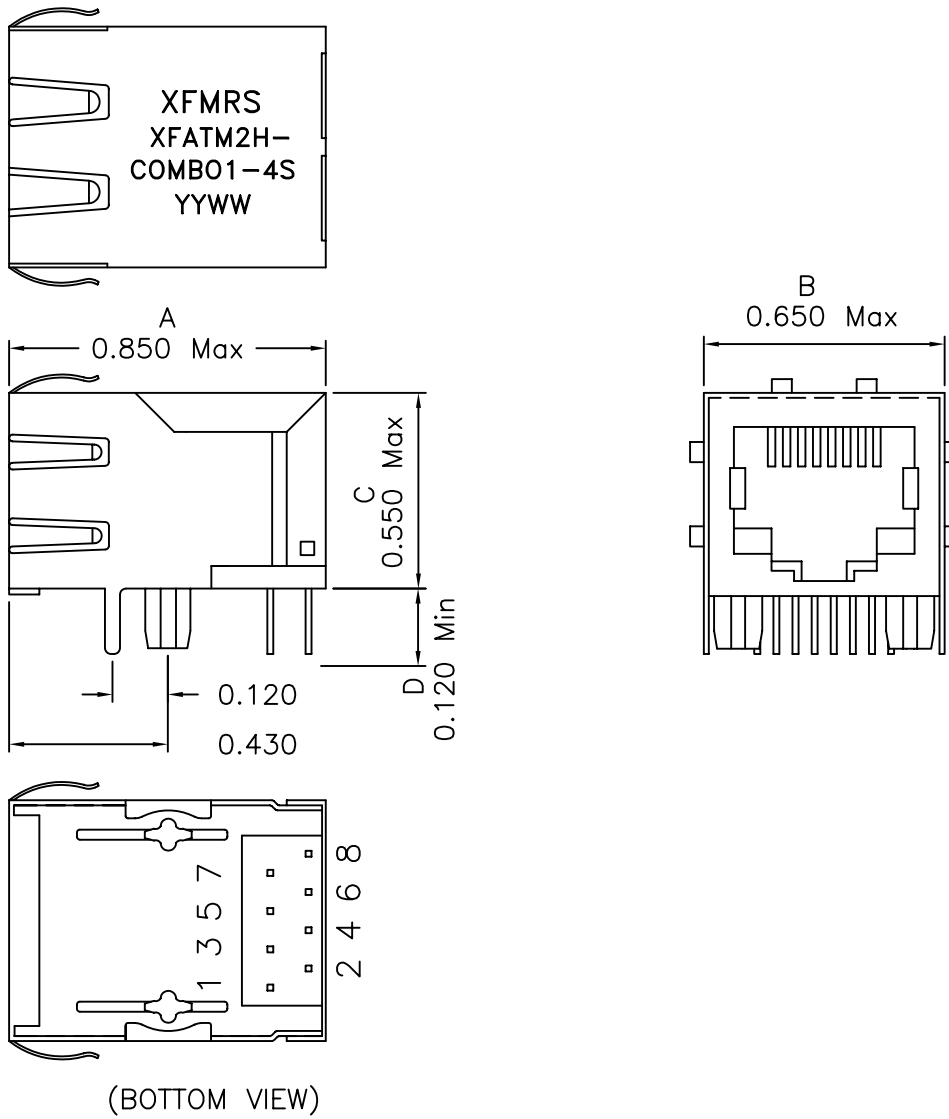
Common Mode to Differential Mode Rejection:

100KHz-60MHz -45dB Typ (Tx) / -40dB Typ (Rx)
 60MHz-100MHz -40dB Typ (Tx) / -35dB Typ (Rx)

DOC. REV A/2

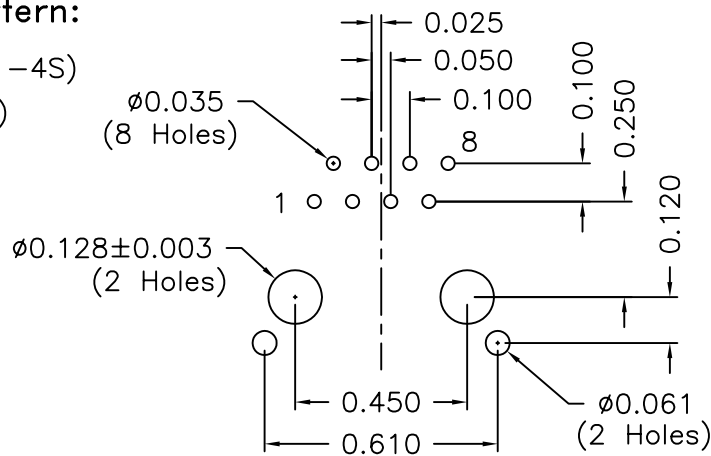
XFMRs Inc.	Title: SINGLE PORT COMBO		
UNLESS OTHERWISE SPECIFIED TOLERANCES: .xxx \pm 0.010 Dimensions in Inch	P/N: XFATM2H-COMBO1-4S	REV. A	
	DWN.	李小锋	Aug-12-02
	CHK.	廖玉坤	Aug-12-02
SHEET 1 OF 2	APP.	Isaiah M	Aug-12-02

Mechanical Dimensions:



Mounting Pattern:

(FOR COMBO1-4S)
(COMP SIDE)



DOC. REV A/2

XFMR Inc.	Title: Mechanical Dimensions For COMBO1-4S Series	
	XFATM2H-COMBO1-4S	REV. A
UNLESS OTHERWISE SPECIFIED TOLERANCES: .xxx ±0.010 Dimensions in Inch	DWN.	李小锋 Aug-12-02
	CHK.	廖玉坤 Aug-12-02
SHEET 2 OF 2	APP.	Isaiah M Aug-12-02