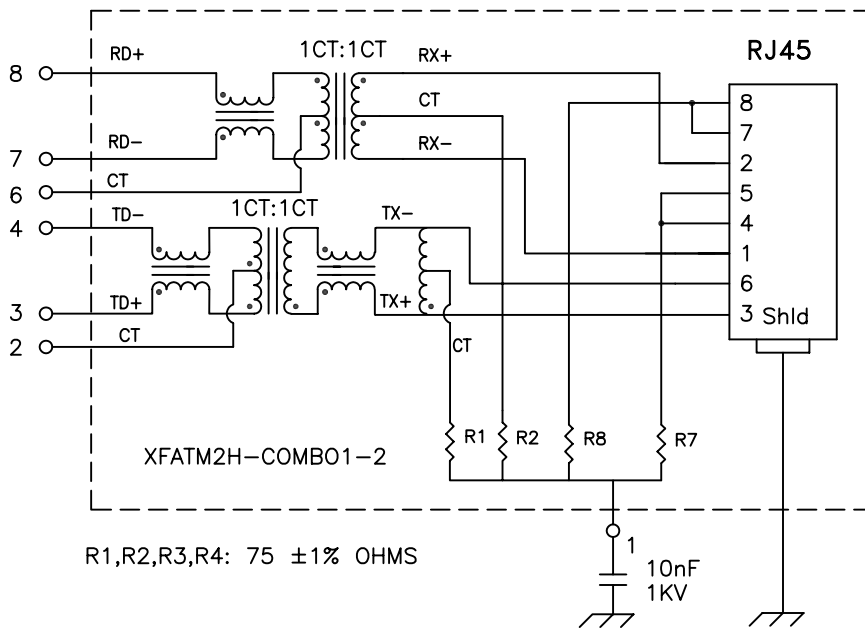


Schematic:



Electrical Specifications: @25°C

Isolation Voltage: 1500 Vrms (INPUT to OUTPUT)
 UTP SIDE OCL: 350uH Min @100KHz 100mV 8mADC
 Rise Time (10–90%): 2.5ns Typical
 Insertion Loss (100KHz–100MHz): –1.1dB Maximum
 Insertion Loss (100MHz–125MHz): –1.5dB Maximum
 Return Loss: –20dB Min. @30MHz
 –15dB Min. @80MHz

Crosstalk:

100KHz–60MHz –40dB Typical
 60MHz–100MHz –38dB Typical

Common Mode to Differential Mode Rejection:

100KHz–60MHz –45dB Typ (Tx) / –40dB Typ (Rx)
 60MHz–100MHz –40dB Typ (Tx) / –35dB Typ (Rx)

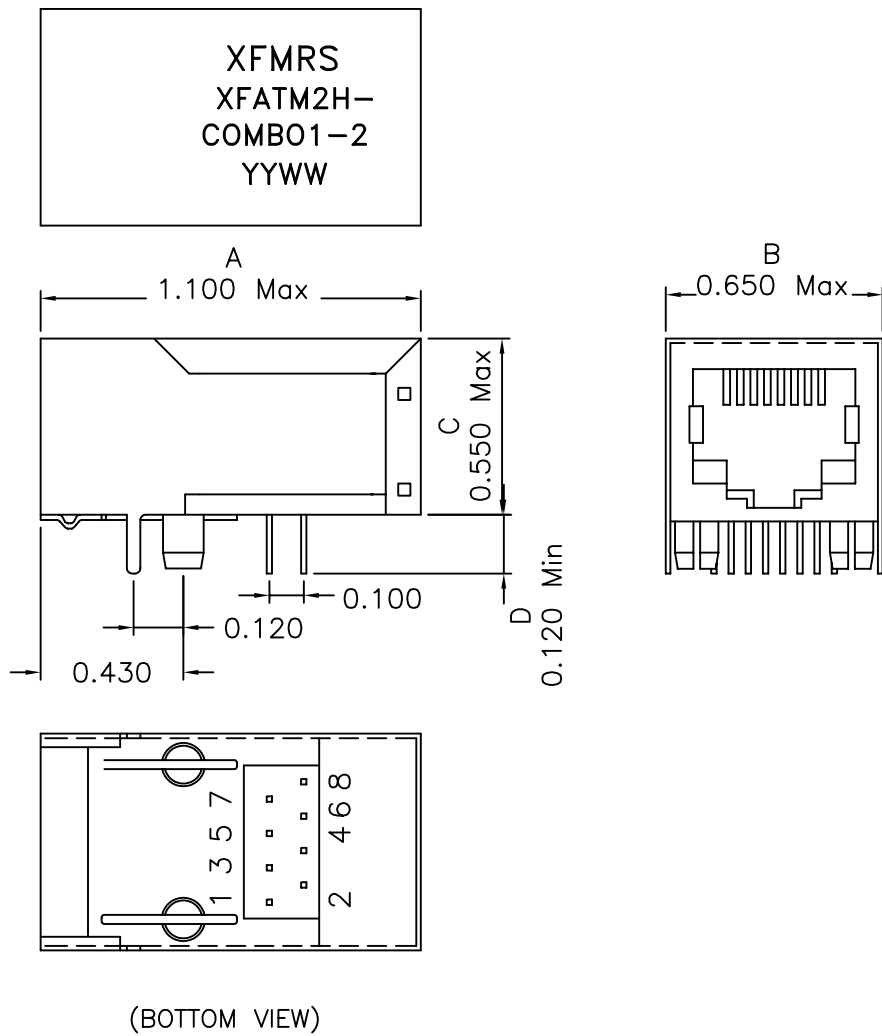
Note:

- Solderability: Leads shall meet MIL–STD–202, Method 208D for solderability.
- Flammability: UL94V–0,
- ASTM oxygen index: > 28% ,
- Temperature rating: 155°C. UL file E151556,
- Operating Temperature Range: –40°C to +85°C

DOC. REV A/2

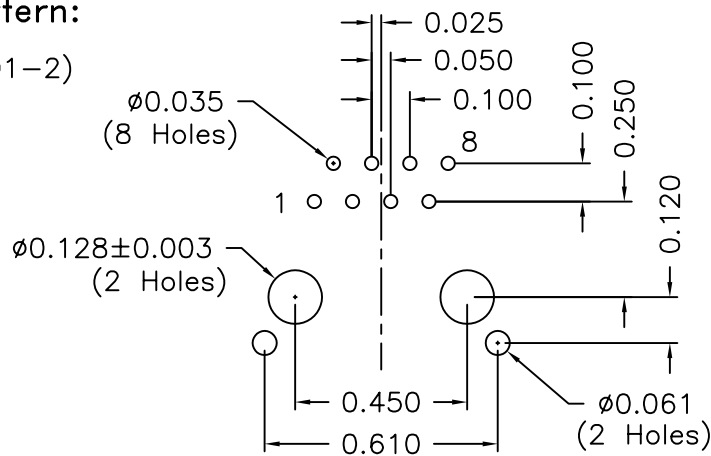
XFMRs Inc.	Title: SINGLE PORT COMBO		
	UNLESS OTHERWISE SPECIFIED TOLERANCES: .xxx ±0.010 Dimensions in Inch	P/N: XFATM2H-COMBO1-2	REV. A
		DWN.	廖玉坤 Feb-12-01
		CHK.	李清儿 Feb-12-01
SHEET 1 OF 1	APP.	BW Feb-12-01	

Mechanical Dimensions:



Mounting Pattern:

(FOR COMBO1-2)
(COMP SIDE)



DOC. REV A/2

XFMRS Inc.	Title: Mechanical Dimensions For COMBO1-2 Series	
	UNLESS OTHERWISE SPECIFIED TOLERANCES: .xxx ±0.010 Dimensions in Inch	P/N: XFATM2H-COMBO1-2 REV. A
	DWN.	廖玉坤 Feb-12-01
	CHK.	李清儿 Feb-12-01
SHEET 2 OF 2	APP.	BW Feb-12-01