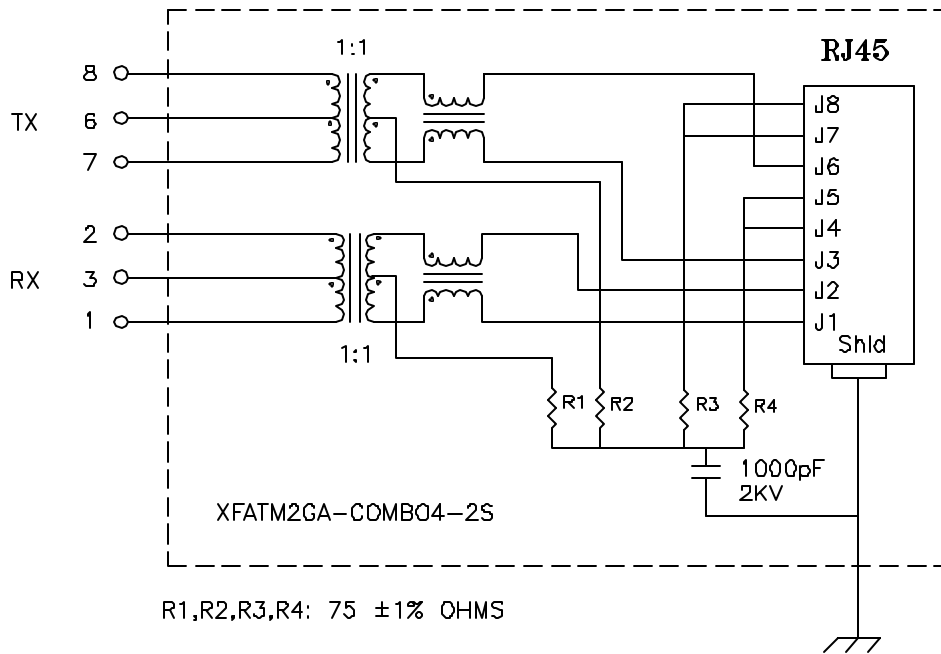


**Schematic:** (One of Four)



**Electrical Specifications: @25°C**

- Isolation Voltage: 1500 Vac
- Isolation Voltage: 500 Vac (1+2+3-6+7+8)
- UTP SIDE OCL: 350uH Min @100KHz 100mV 8mADC
- Rise Time (10-90%): 2.5ns Typical
- Insertion Loss (300KHz-100MHz): -1.1dB Maximum
- Insertion Loss (100MHz-125MHz): -1.5dB Maximum
- Return Loss: -12dB Typical @300KHz - 100MHz
- Crosstalk:
  - 300KHz-60MHz -40dB Typical
  - 60MHz-100MHz -38dB Typical
- Common Mode to Differential Mode Rejection:
  - 1MHz-100MHz -30dB Typ (Tx) / -30dB Typ (Rx)
  - 200MHz -20dB Typ (Tx) / -20dB Typ (Rx)

**Notes:**

1. Solderability: Leads shall meet MIL-STD-202G, Method 208H for solderability.
2. Flammability: UL94V-0
3. ASTM oxygen Index: > 28%
4. Insulation System: Class F 155°C. UL file E151556
5. Operating Temperature Range: All listed parameters are to be within tolerance from -40°C to +85°C
6. Storage Temperature Range: -55°C to +125°C
7. Aqueous wash compatible
8. Electrical and mechanical specifications 100% tested
9. RoHS Compliant Component

DOC. REV: A/5

**XFMRs Inc.**  
www.XFMRS.com

Title: **QUAD PORT COMBO**

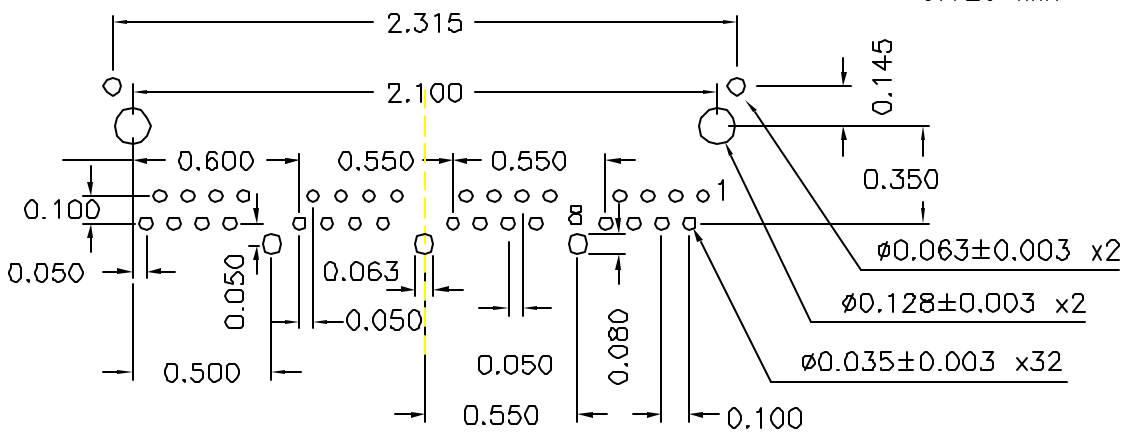
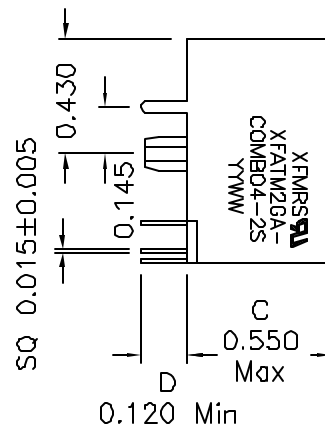
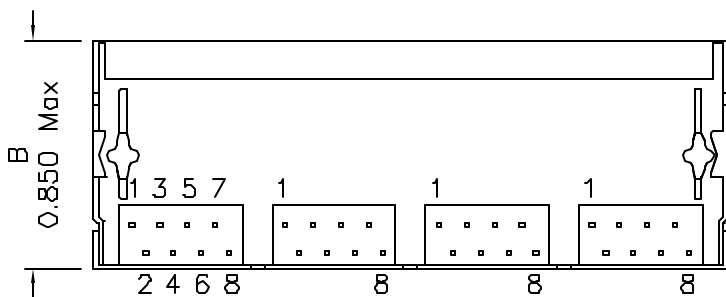
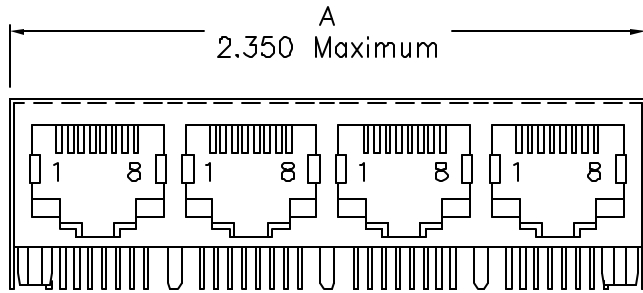
UNLESS OTHERWISE SPECIFIED  
TOLERANCES:  
.xxx ±0.010  
Dimensions in Inch  
SHEET 1 OF 2

P/N: XFATM2GA-COMBO4-2S		REV. A
DWN.	Juan Mao	Sep-26-07
CHK.	YK Liao	Sep-26-07
APP.	BW	Sep-26-07

**PROPRIETARY:**

Document is the property of XFMRs Group & is not allowed to be duplicated without authorization.

# Mechanical Dimensions: (FOR COMB04-4S)



SUGGESTED MOUNTING PATTERN

<b>XFMRs Inc.</b> <a href="http://www.XFMRS.com">www.XFMRS.com</a>	Title: Mechanical Dimensions For COMB04-2S Series		
	UNLESS OTHERWISE SPECIFIED TOLERANCES: .xxx ±0.010 Dimensions in Inch	P/N: XFATM2GA-COMB04-2S	REV. A
DOC. REV: A/5	DWN.	Juan Mao	Sep-26-07
	CHK.	YK Liao	Sep-26-07
	APP.	BW	Sep-26-07
SHEET 2 OF 2			

**PROPRIETARY:**  
 Document is the property of XFMRs Group & is not allowed to be duplicated without authorization.