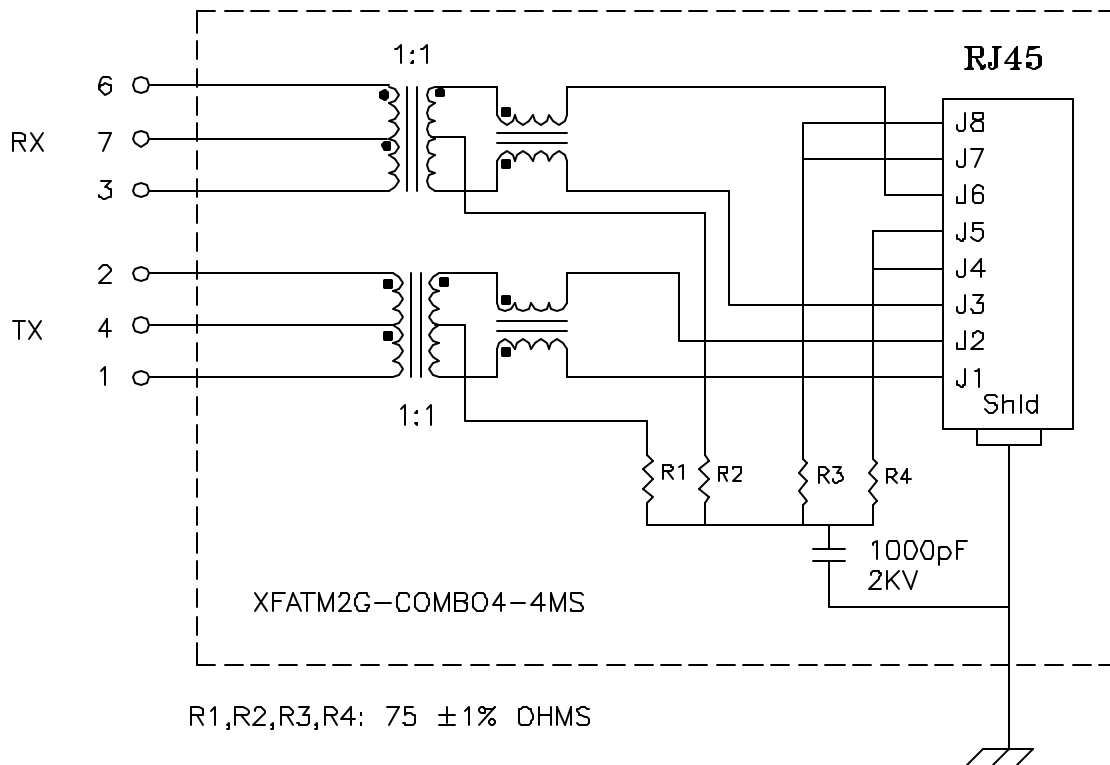


Schematic:

(ONE OF FOUR)

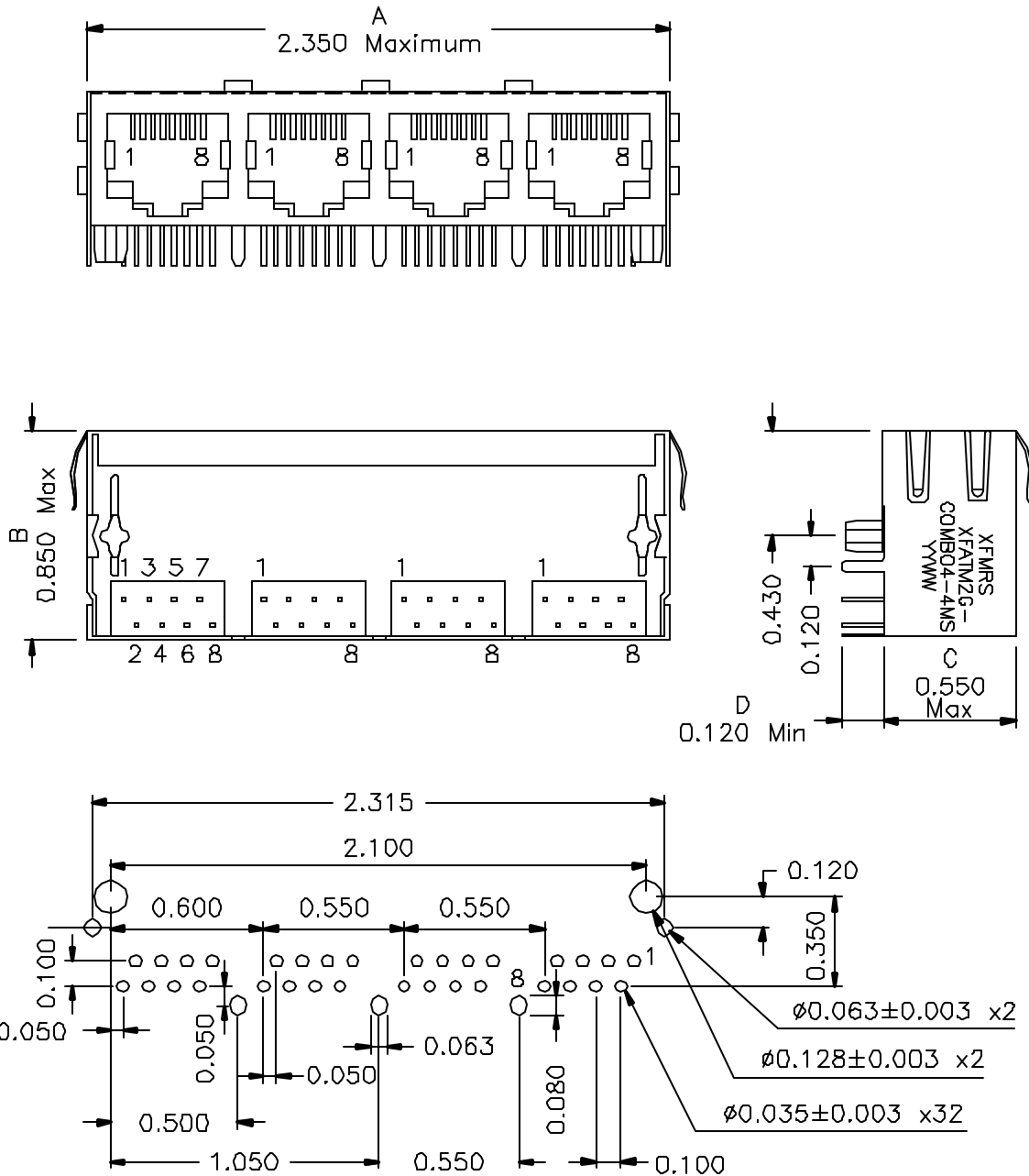


Electrical Specifications: @25°C

- Isolation Voltage: 1500 Vac
- Isolation Voltage: 500 Vac (1+2+3+5+6+7)
- UTP SIDE OCL: 350uH Min @100KHz 100mV 8mADC
- Rise Time (10-90%): 2.5ns Typical
- Insertion Loss (300KHz-100MHz): -1.1dB Maximum
- Insertion Loss (100MHz-125MHz): -1.5dB Maximum
- Return Loss: -12dB Typical @300KHz - 100MHz
- Crosstalk:
 - 100KHz-60MHz -40dB Typical
 - 60MHz-100MHz -38dB Typical
- Common Mode to Differential Mode Rejection:
 - 1MHz-100MHz -30dB Typ (Tx) / -30dB Typ (Rx)
 - 200MHz -20dB Typ (Tx) / -20dB Typ (Rx)

XFMRs Inc. UNLESS OTHERWISE SPECIFIED TOLERANCES: .xxx ±0.010 Dimensions in Inch SHEET 1 OF 2	Title: QUAD PORT COMBO		
	P/N: XFATM2G-COMBO4-4MS		REV. A
	DWN.	BW	Jul-6-00
	CHK.	Joe Huff	Jul-6-00
	APP.	AEI	Jul-6-00

Mechanical Dimensions: (FOR COMB04-4MS)



SUGGESTED MOUNTING PATTERN

DOC. REV: A/1

XFMRs Inc. UNLESS OTHERWISE SPECIFIED TOLERANCES: .xxx ±0.010 Dimensions in Inch SHEET 2 OF 2	Title: Mechanical Dimensions For COMB04-4MS Series		
	P/N: XFATM2G-COMB04-4MS		REV. A
	DWN.	BW	Jul-6-00
	CHK.	Joe Huff	Jul-6-00
	APP.	AEI	Jul-6-00