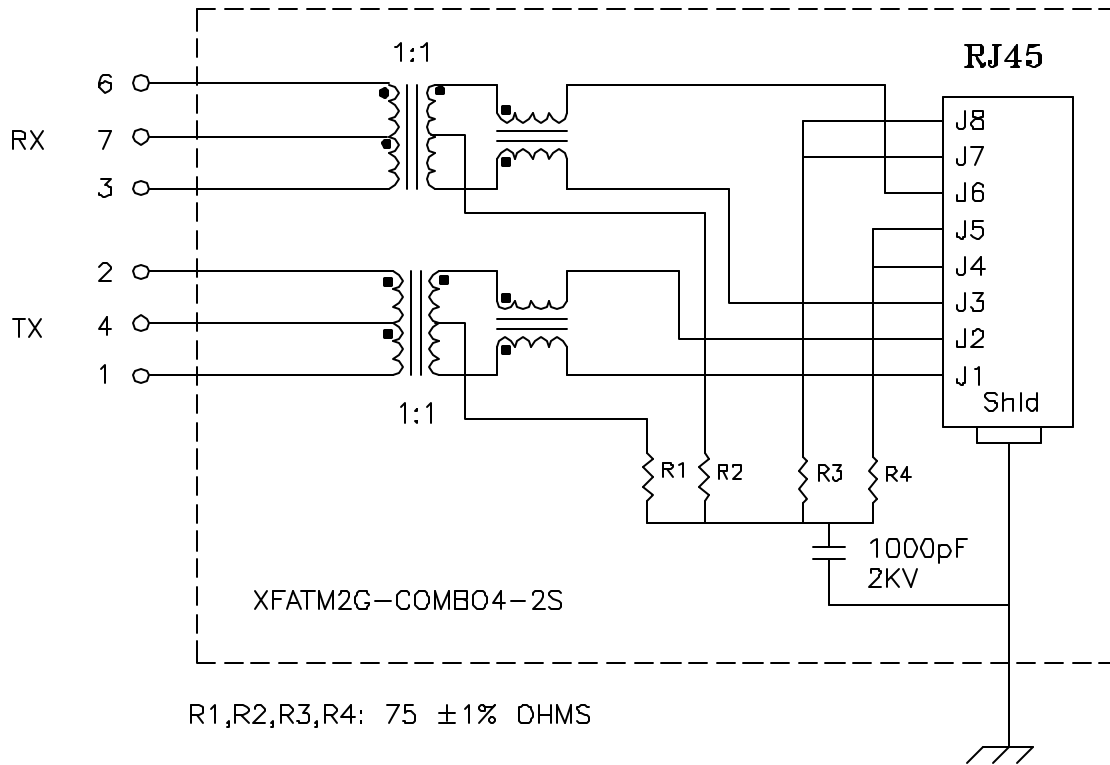


**Schematic:**

(ONE OF FOUR)



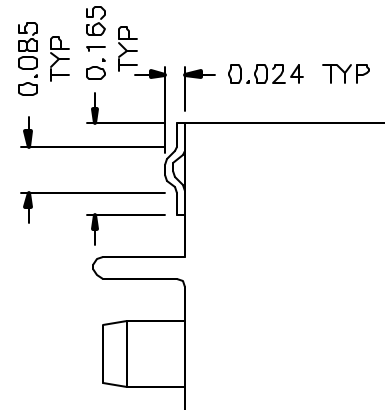
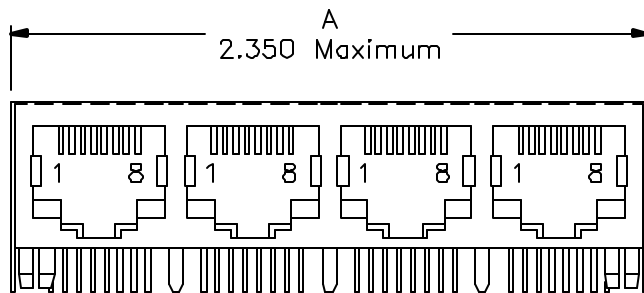
**Electrical Specifications: @25°C**

Isolation Voltage: 1500 Vac  
 Isolation Voltage: 500 Vac (1+2+3+5+6+7)  
 UTP SIDE OCL: 350uH Min @100KHz 100mV 8mADC  
 Rise Time (10-90%): 2.5ns Typical  
 Insertion Loss (300KHz-100MHz): -1.1dB Maximum  
 Insertion Loss (100MHz-125MHz): -1.5dB Maximum  
 Return Loss: -12dB Typical @300KHz - 100MHz  
 Crosstalk:  
 100KHz-60MHz -40dB Typical  
 60MHz-100MHz -38dB Typical  
 Common Mode to Differential Mode Rejection:  
 1MHz-100MHz -30dB Typ (Tx) / -30dB Typ (Rx)  
 200MHz -20dB Typ (Tx) / -20dB Typ (Rx)

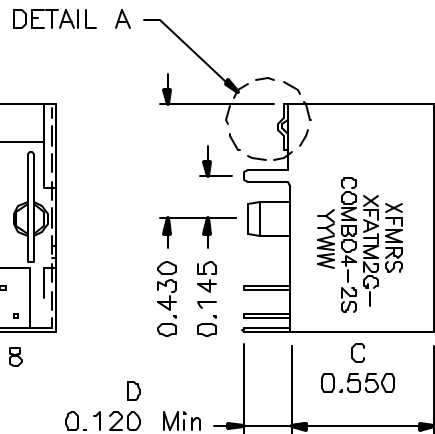
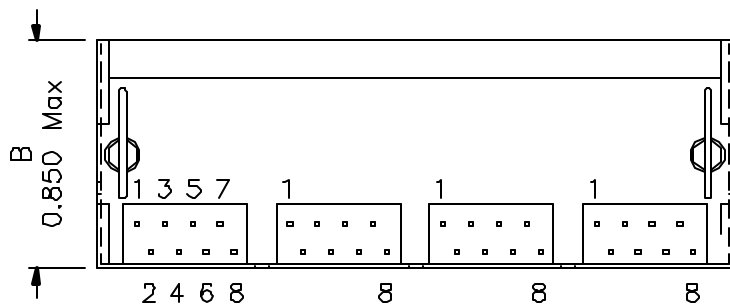
DOC. REV: A/1

<b>XFMRs Inc.</b> UNLESS OTHERWISE SPECIFIED TOLERANCES: .xxx ±0.010 Dimensions in Inch SHEET 1 OF 2	Title: <b>QUAD PORT COMBO</b>	
	XFATM2G-COMBO4-2S REV. A	
	DWN.	廖玉坤 Mar-21-01
	CHK.	李清儿 Mar-21-01
	APP.	BW Mar-21-01

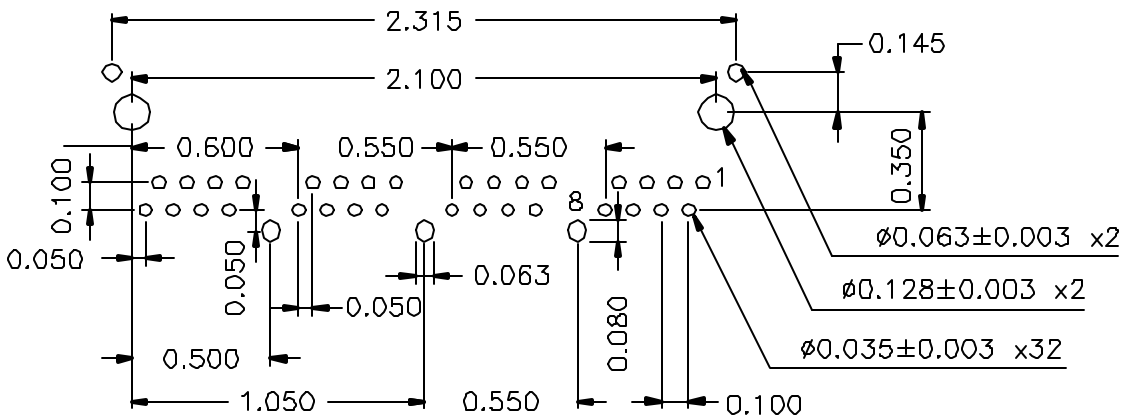
# Mechanical Dimensions: (FOR COMB04-4S)



DETAIL A



Max



SUGGESTED MOUNTING PATTERN

DOC. REV: A/1

<b>XFMRs Inc.</b>	Title: Mechanical Dimensions For COMB04-2S Series		
	UNLESS OTHERWISE SPECIFIED TOLERANCES: .xxx ±0.010	P/N: XFATM2G-COMB04-2S	REV. A
	Dimensions in Inch	DWN. 廖玉坤	Mar-21-01
	SHEET 2 OF 2	CHK. 李清儿	Mar-21-01
	APP. BW	Mar-21-01	