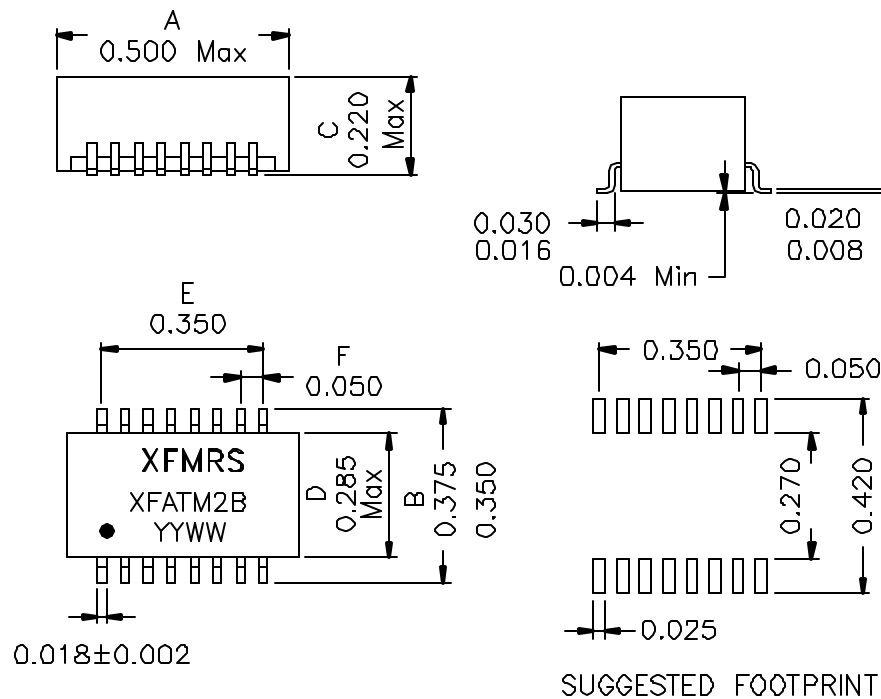


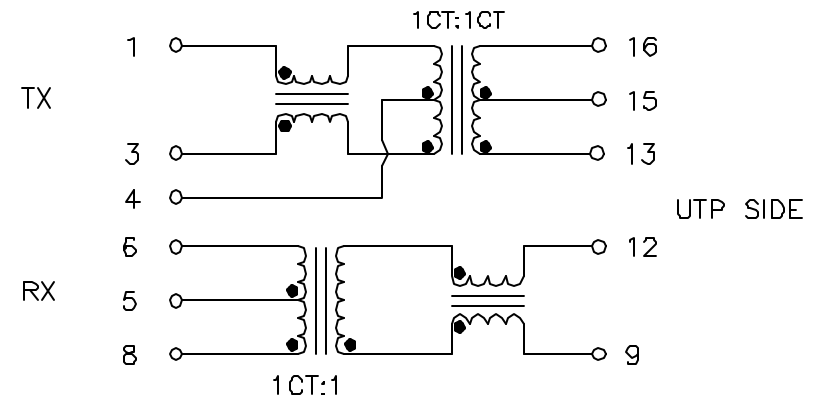
1. Dimensions:



Note

1. Solderability: Leads shall meet MIL-STD-202, Method 208D for solderability.
2. Flammability UL94V-0,
3. ASTM oxygen index: > 28% ,
4. Temperature rating: 155°C. UL file E151556,
5. Operating Temperature Range: 0°C to +70°C

2. Schematic:



3. Electrical Specifications: @25°C

UTP Impedance: 100 OHMS

Turns Ratio: TX : 1CT:1 ±2% RX : 1CT:1CT ±2%

Isolation Voltage: 1500 VAC (Input to Output)

UTP Side OCL: 350uH Minimum @100KHz,100mV 8mADC

Rise Time (10-90%): 4.0ns Typical

Insertion Loss (1-100MHz): -1.0dB Maximum

Return Loss : 30MHz 60MHz 80MHz

-20dB -14dB -11.5dB (Typical)

CMRR (1MHz-100MHz): -40dB TYPICAL

Crosstalk Attenuation: -40dB Minimum

DOC. REV. A/6

PROPRIETARY

Document is the property of XFMRS Group & is not allowed to be duplicated without authorization.

XFMRS Inc.		Title: 10/100BASE-TX MAGNETICS	
UNLESS OTHERWISE SPECIFIED		P/N: XFATM2B	REV. A
TOLERANCES: .xxx ±0.010		DWN. Juan Mao	Jan-07-04
Dimensions in Inch		CHK. YK Liao	Jan-07-04
SCALE 2:1 SHT 1 OF 1		APP. MS	Jan-07-04