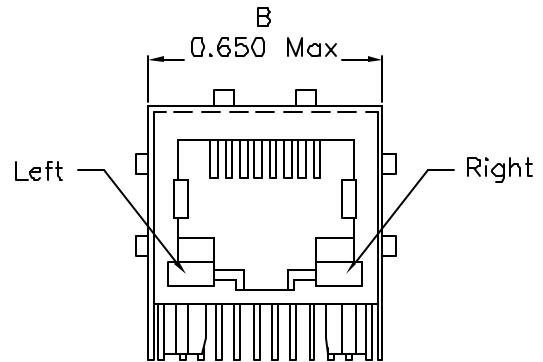
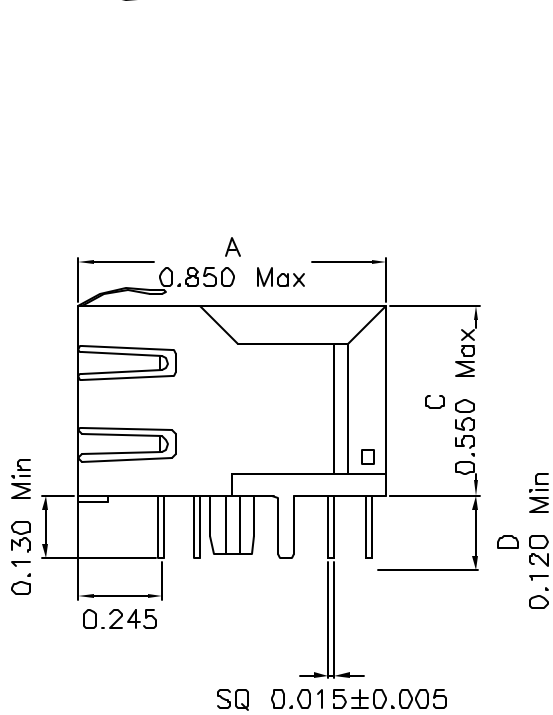
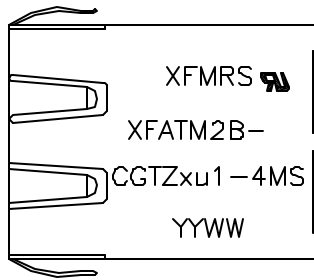


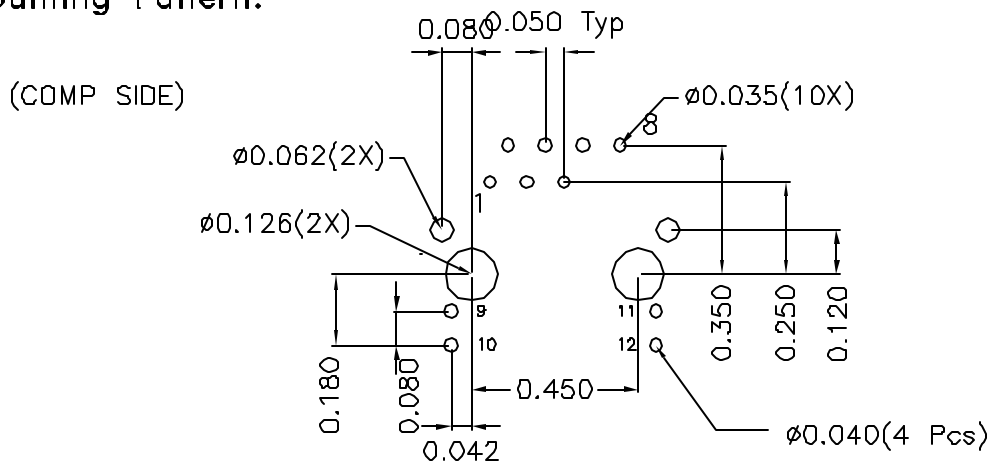


### Mechanical Dimensions:



\*Remove Pin#7

### Mounting Pattern:



DOC. REV: A/2

**XFMRS Inc**  
www.XFMRS.com

Title: Mechanical Dimensions

UNLESS OTHERWISE SPECIFIED  
TOLERANCES:  
.xxx ±0.010  
Dimensions in Inch

P/N: XFATM2B-CGTZxu1-4MS	REV. A
DWN. Juan Mao	Mar-23-06
CHK. YK Liao	Mar-23-06
APP. BW	Mar-23-06

SHEET 2 OF 2

**PROPRIETARY:**

Document is the property of XFMRS Group & is not allowed to be duplicated without authorization.