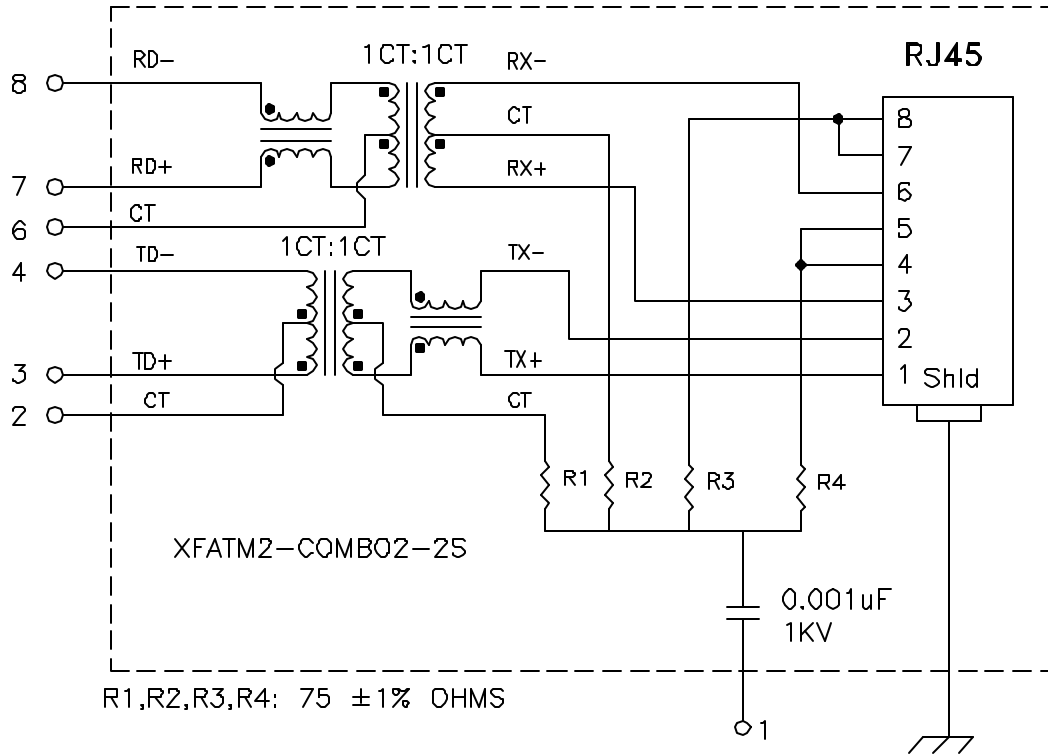


Schematic:



Electrical Specifications: @25°C

Isolation Voltage: 1500Vrms(INPUT to OUTPUT), 500Vrms(TD to RD)

UTP SIDE OCL: 350uH Min @100KHz 100mV 8mADC

Rise Time (10-90%): 2.5ns Typical

Insertion Loss (300KHz-100MHz): -1.1dB Maximum

Insertion Loss (100MHz-125MHz): -1.5dB Maximum

Return Loss: -18dB Min. @30MHz

-12dB Min. @80MHz

Crosstalk:

100KHz-60MHz -40dB Typical

60MHz-100MHz -38dB Typical

Common Mode to Differential Mode Rejection:

100KHz-60MHz -45dB Typ (Tx) / -40dB Typ (Rx)

60MHz-100MHz -40dB Typ (Tx) / -35dB Typ (Rx)

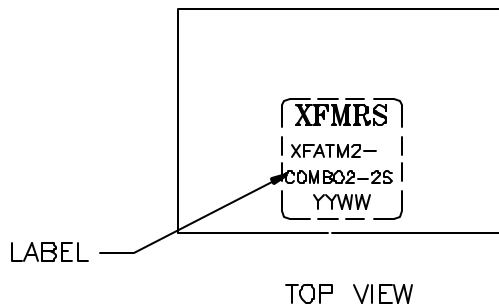
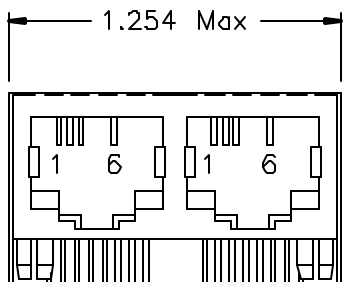
Note:

1. Solderability: Leads shall meet MIL-STD-202, Method 208D for solderability.
2. Flammability: UL94V-0,
3. ASTM oxygen index: > 28% ,
4. Temperature rating: 155°C UL file E151556,
5. Operating Temperature Range: All listed parameters are to be within tolerance from -40°C to +85°C

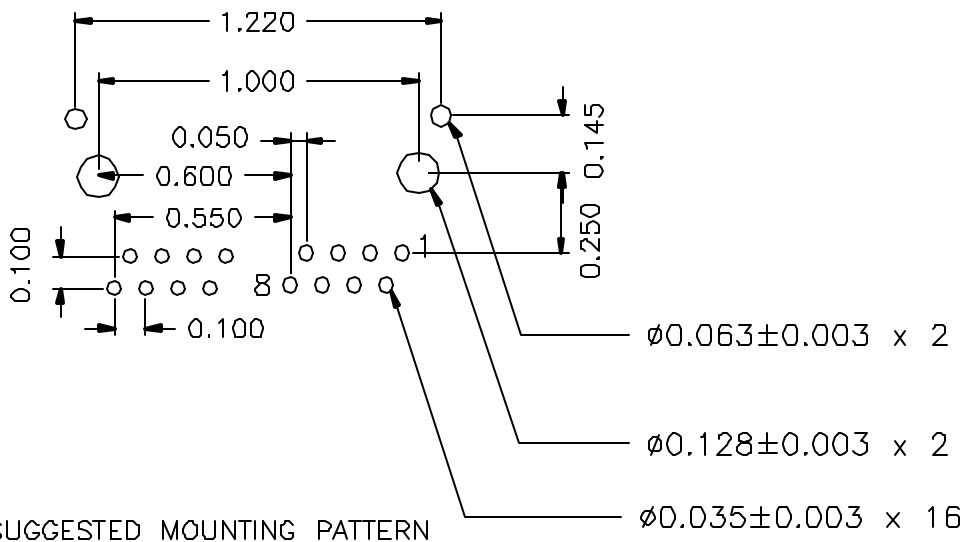
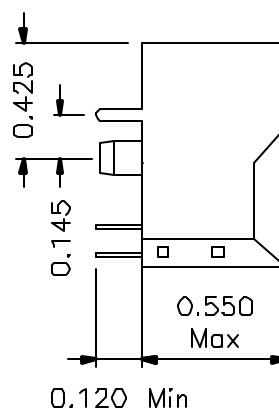
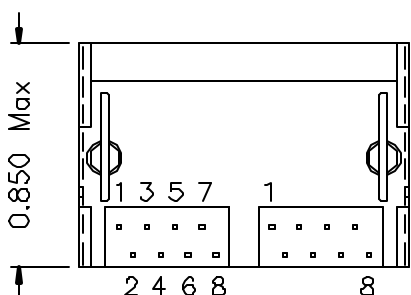
DOC. REV A/1

XFMR5 Inc.		Title: DUAL PORT COMBO		
UNLESS OTHERWISE SPECIFIED	P/N: XFATM2-COMBO2-25	REV. A		
TOLERANCES: .xxx ±0.010	DWN.	李小锋	May-24-01	
Dimensions in Inch	CHK.	廖玉坤	May-24-01	
SHEET 1 OF 1	APP.	BW	May-24-01	

Mechanical Dimensions: (FOR COMB02-2S)



TOP VIEW



SUGGESTED MOUNTING PATTERN

XFMRS Inc. UNLESS OTHERWISE SPECIFIED TOLERANCES: .xxx ±0.010 Dimensions in Inch SHEET 2 OF 2	Title: Mechanical Dimensions For COMB02-2S Series		
	P/N: XFATM2-COMB02-2S		REV. A
	DWN.	李小锋	May-24-01
	CHK.	廖玉坤	May-24-01
	APP.	BW	May-24-01