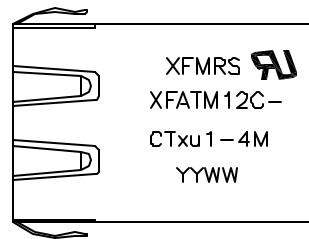
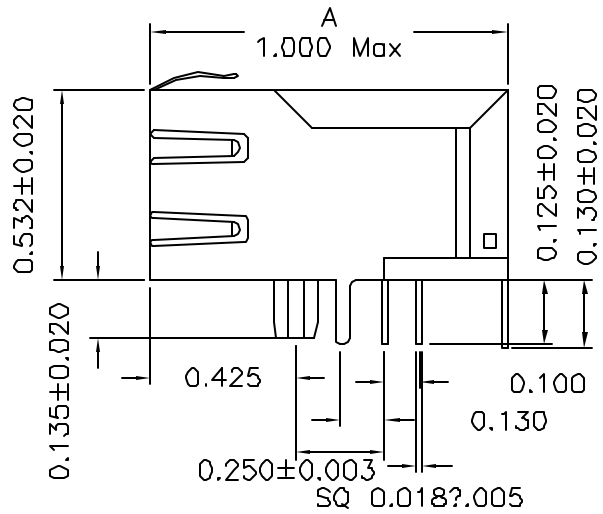
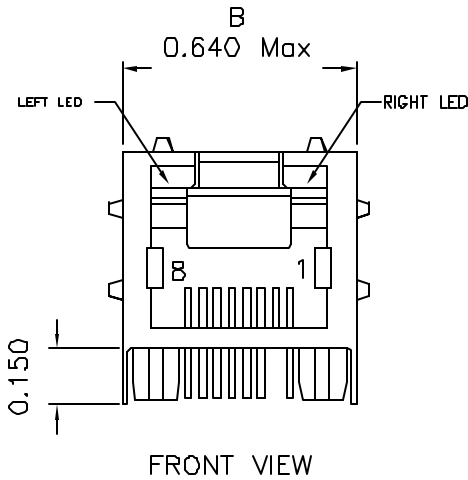




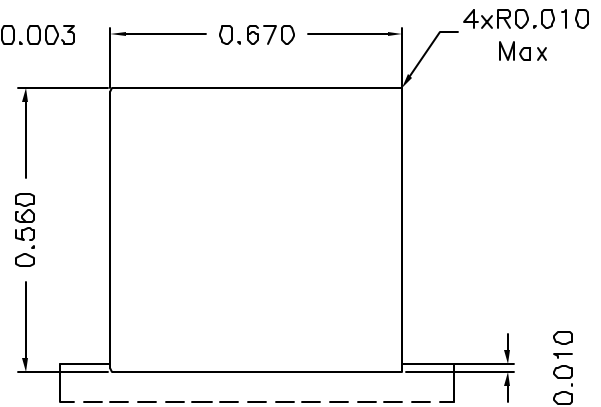
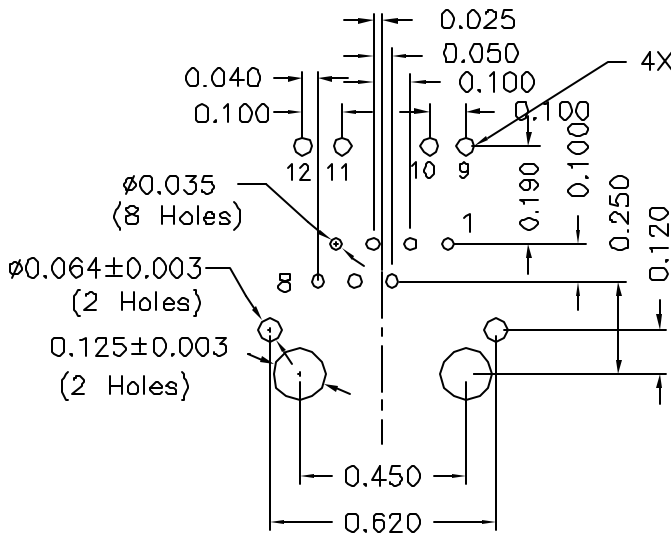
**Mechanical Dimensions:**



TOP VIEW

\*Remove Pin#2

**Mounting Pattern:**



FACE VIEW

RECOMMENDED PANEL CUTOUT

DOC REV: A/4

**XFMRS Inc.**  
www.XFMRS.com

Title: Mechanical Dimensions  
For TAB UB RJ45 COMBO

UNLESS OTHERWISE SPECIFIED  
TOLERANCES:  
.xxx ±0.010  
Dimensions in Inch

P/N: XFATM12C-CTxu1-4M  
DWN. Juan Mao  
CHK. YK Liao  
APP. Joe Hff

REV. A  
Jun-05-08  
Jun-05-08  
Jun-05-08

SHEET 2 OF 2

**PROPRIETARY:**

Document is the property of XFMRS Group & is not allowed to be duplicated without authorization.