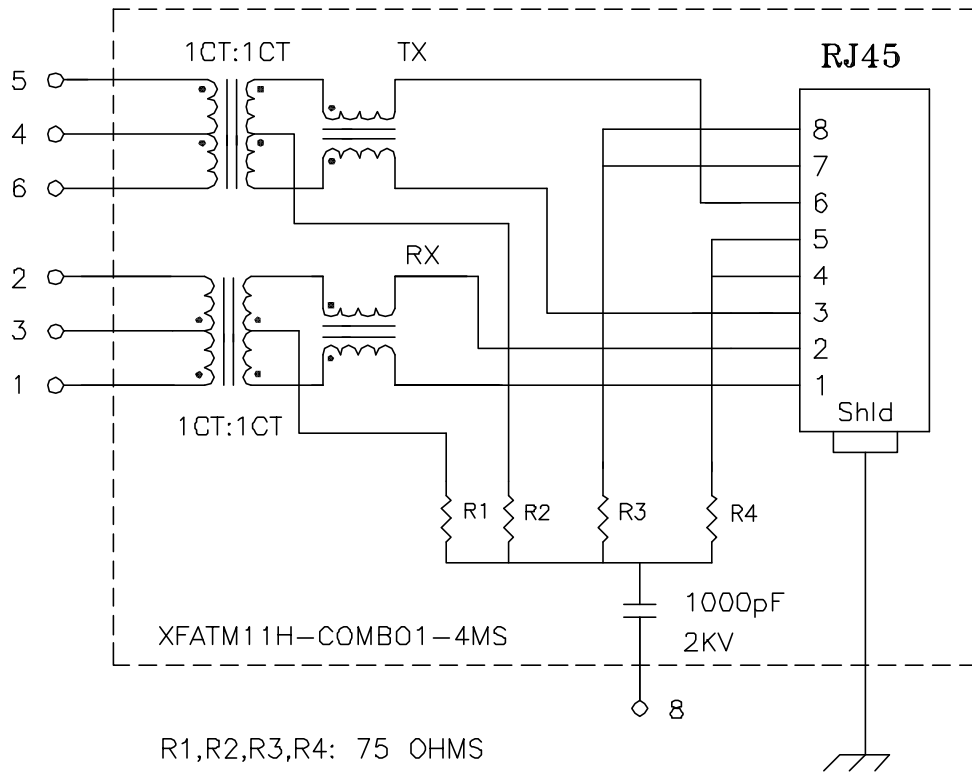


Schematic:



Electrical Specifications: @25°C

- Isolation Voltage: 1500 Vrms (Input to Output)
- Isolation Voltage: 500 Vrms (P5+4+6 to P2+3+1)
- Turns Ratio: TX 1CT:1CT ±3% RX 1CT:1CT ±3%
- CABLE SIDE OCL: 350uH Minimum @100KHz 100mV 8mADC
- Cw/w: 27pF Typical @100KHz 100mV
- Insertion Loss (300KHz-100MHz): 1.0dB Max
- Return Loss: @30MHz 18dB Minimum
- @80MHz 12dB Minimum

Notes:

1. Solderability: Leads shall meet MIL-STD-202, Method 208D for solderability.
2. Flammability: UL94V-0
3. ASTM oxygen index: > 28%
4. Temperature rating: 155°C. UL file E151556
5. Operating Temperature Range: -40°C to +85°C

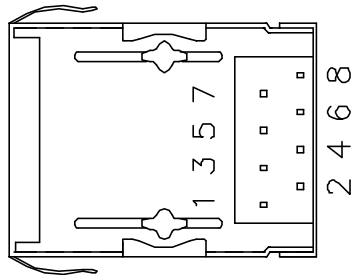
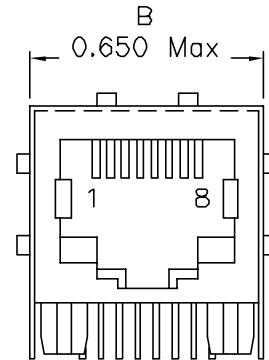
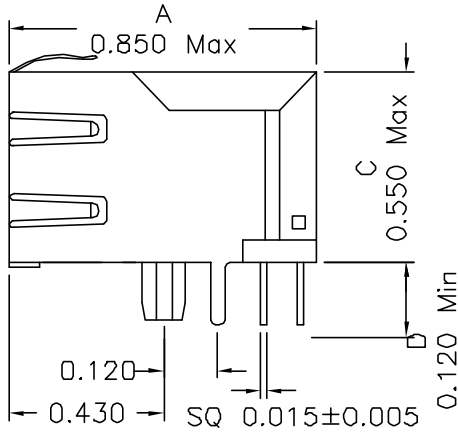
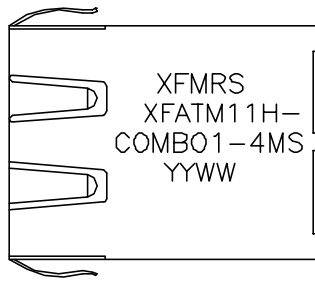
DOC. REV: A/1

XFMRs Inc.	Title: SINGLE PORT COMBO		
	UNLESS OTHERWISE SPECIFIED		P/N: XFATM11H-COMBO1-4MS
TOLERANCES: .xxx ±0.010		DWN.	罗振江
Dimensions in Inch		CHK.	廖玉坤
SHEET 1 OF 2		APP.	BW
			REV. A
			Apr-23-04
			Apr-23-04
			Apr-23-04

PROPRIETARY:

Document is the property of XFMRs Group & is not allowed to be duplicated without authorization.

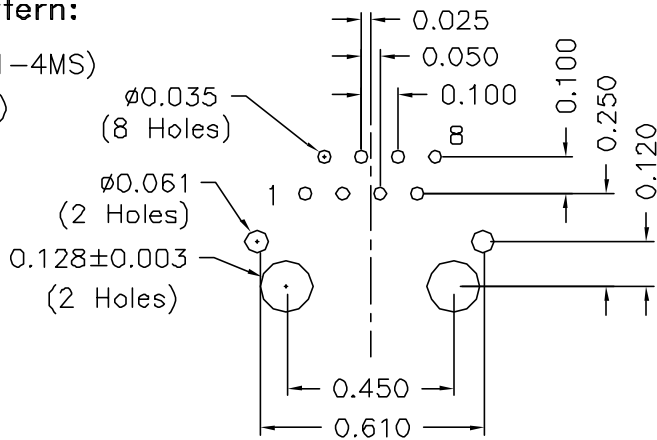
Mechanical Dimensions:



(BOTTOM VIEW)

Mounting Pattern:

(FOR COMBO1-4MS)
(COMP SIDE)



DOC REV: A/1

XFMR5 Inc.		Title: Mechanical Dimensions For COMBO1-4MS Series	
UNLESS OTHERWISE SPECIFIED TOLERANCES: .xxx ±0.010 Dimensions in Inch		P/N: XFATM11H-COMBO1-4MS	REV. A
		DWN. 罗振江	Apr-23-04
		CHK. 廖玉坤	Apr-23-04
SHEET 2 OF 2		APP. BW	Apr-23-04

PROPRIETARY:

Document is the property of XFMR5 Group & is not allowed to be duplicated without authorization.