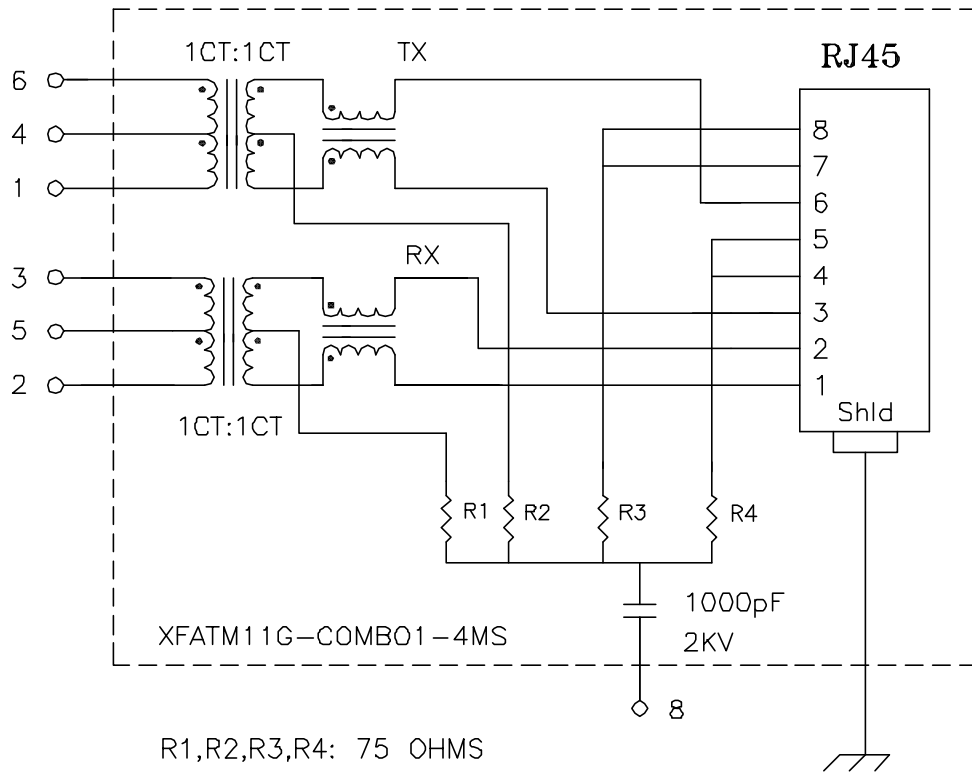


**Schematic:**



**Electrical Specifications: @25°C**

- Isolation Voltage: 1500 Vrms (Input to Output)
- Isolation Voltage: 500 Vrms (P6+4+1 to P3+5+2)
- Turns Ratio: TX 1CT:1CT ±3% RX 1CT:1CT ±3%
- CABLE SIDE OCL: 350uH Minimum @100KHz 100mV 8mADC
- Cw/w: 27pF Typical @100KHz 100mV
- Insertion Loss (300KHz-100MHz): 1.0dB Max
- Return Loss: @30MHz 18dB Minimum
- @80MHz 12dB Minimum

**Notes:**

1. Solderability: Leads shall meet MIL-STD-202, Method 208D for solderability.
2. Flammability: UL94V-0
3. ASTM oxygen index: > 28%
4. Temperature rating: 155°C. UL file E151556
5. Operating Temperature Range: -40°C to +85°C

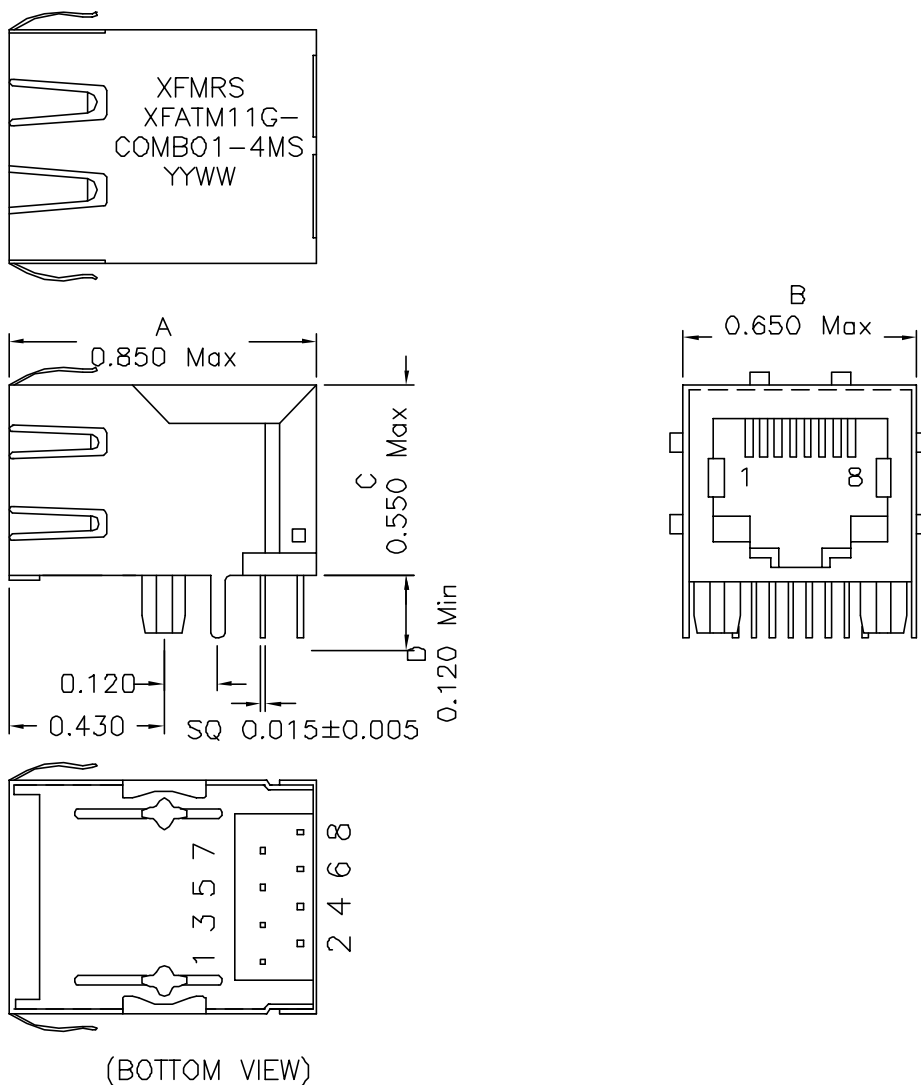
DOC. REV: A/1

<b>XFMRs Inc.</b>	Title: <b>SINGLE PORT COMBO</b>		
UNLESS OTHERWISE SPECIFIED	P/N: XFATM11G-COMBO1-4MS	REV. A	
TOLERANCES: .xxx ±0.010	DWN.	罗振江	Apr-22-04
Dimensions in Inch	CHK.	廖玉坤	Apr-22-04
SHEET 1 OF 2	APP.	<b>BW</b>	Apr-22-04

**PROPRIETARY:**

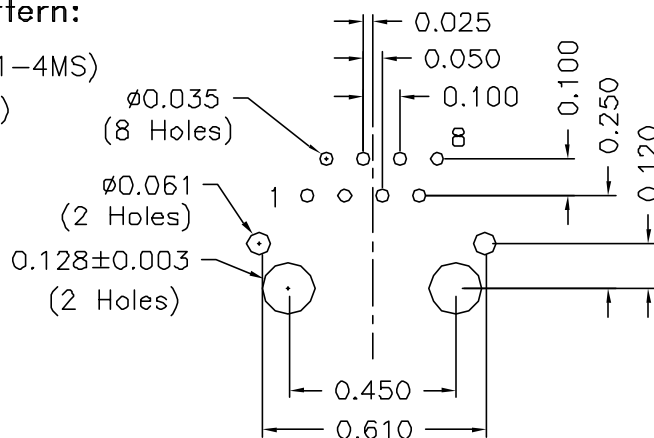
Document is the property of XFMRs Group & is not allowed to be duplicated without authorization.

**Mechanical Dimensions:**



**Mounting Pattern:**

(FOR COMBO1-4MS)  
(COMP SIDE)



DOC REV: A/1

**PROPRIETARY:**

Document is the property of XFMRS Group & is not allowed to be duplicated without authorization.

<b>XFMRS Inc.</b>		Title: Mechanical Dimensions For COMBO1-4MS Series	
UNLESS OTHERWISE SPECIFIED	P/N: XFATM11G-COMBO1-4MS	REV. A	
TOLERANCES: .xxx ±0.010	DWN.	罗振江	Apr-22-04
Dimensions in Inch	CHK.	廖玉坤	Apr-22-04
SHEET 2 OF 2	APP.	BW	Apr-22-04