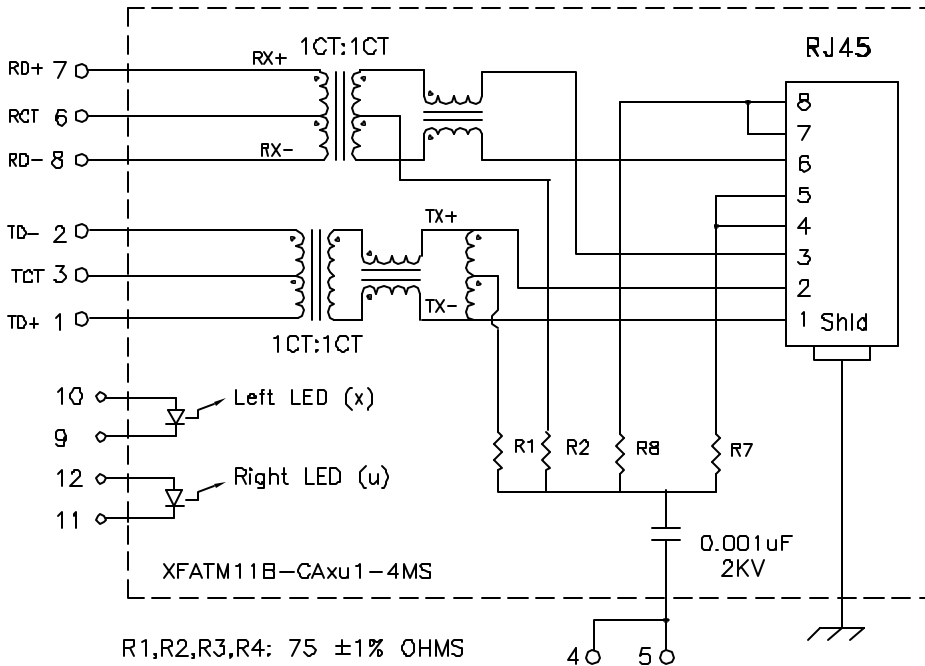


Schematic:



Electrical Specifications: @25°C

UTP Impedance: 100 OHMS
 Turns Ratio: TX : 1CT:1CT (±2%) RX : 1CT:1CT (±2%)
 Isolation Voltage: 1500 VAC (Input to Output)
 UTP Side OCL: 350uH Minimum @100KHz, 100mV 8mADC
 Insertion Loss (0.1MHz-100MHz): -1.0dB Maximum
 Return Loss: 1MHz-30MHz 40MHz 50MHz 60MHz-80MHz
 -18dB Typ -16dB Typ -14dB Typ -12dB Typ
 CMRR: 30MHz 60MHz 100MHz
 -35dB Min -30dB Min -25dB Min
 Crosstalk: 30MHz 60MHz 100MHz
 -50dB Min -40dB Min -35dB Min

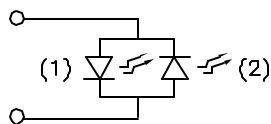
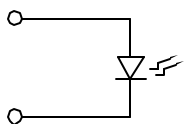
Complete the Combo P/N as follows:

Replace 'x' & 'u' in the part number with one of the LED color letters:

Y=Yellow 'x' = Left LED Color
 G=Green 'u' = Right LED Color
 A=Amber
 R=Red
 C=Green(1)/Amber(2) Bicolor
 D=Amber(1)/Green(2) Bicolor
 M=Green(1)/Yellow(2) Bicolor
 N=Yellow(1)/Green(2) Bicolor
 P=Red(1)/Green(2) Bicolor
 Q=Green(1)/Red(2) Bicolor

Single Color LED:

Bi-Color LED:



DOC. REV: B/8

Notes:

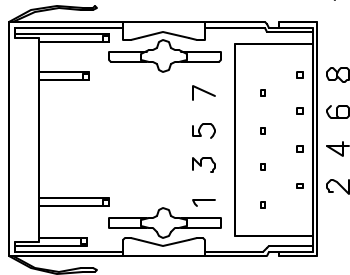
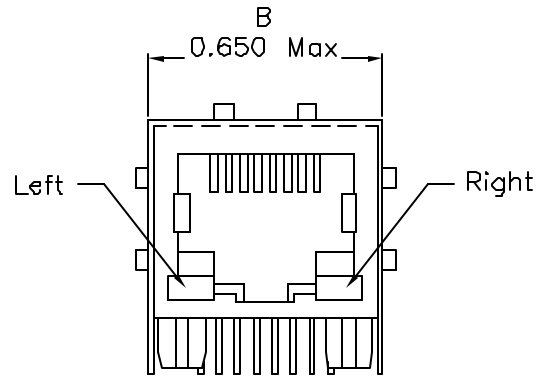
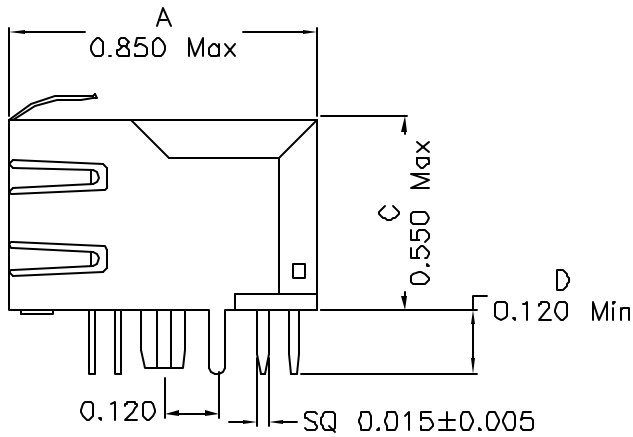
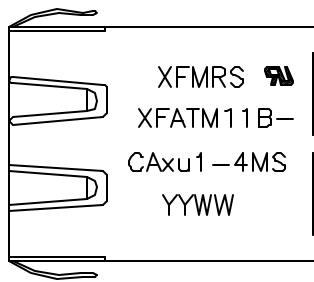
- Solderability: Leads shall meet MIL-STD-202G, Method 208H for solderability.
- Flammability: UL94V-0
- ASTM oxygen index: > 28%
- Insulation System: Class F 155°C, UL file E151556
- Operating Temperature Range: All listed parameters are to be within tolerance from -40°C to +85°C
- Storage Temperature Range: -55°C to +125°C
- Aqueous wash compatible
- Electrical and mechanical specifications 100% tested
- RoHS Compliant Component

XFMRs Inc.	Title: SINGLE PORT COMBO		
	UNLESS OTHERWISE SPECIFIED TOLERANCES: .xxx ±0.010 Dimensions in Inch	P/N: XFATM11B-CAxu1-4MS	REV. B
		DWN.	Juan Mao Dec-28-07
		CHK.	YK Liao Dec-28-07
SHEET 1 OF 2	APP.	MS	Dec-28-07

PROPRIETARY:

Document is the property of XFMRs Group & is not allowed to be duplicated without authorization.

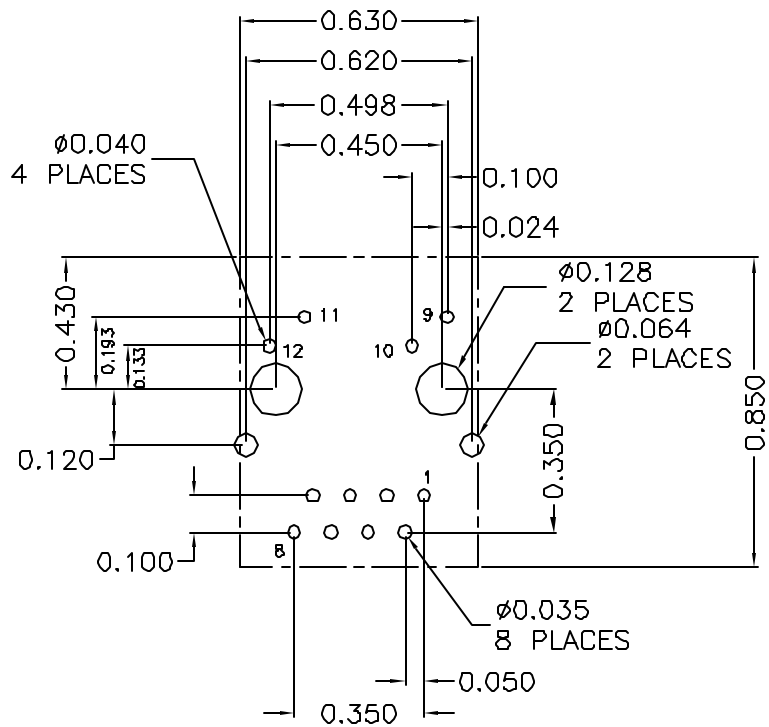
Mechanical Dimensions:



(BOTTOM VIEW)

Mounting Pattern:

(COMP SIDE)



DOC. REV: B/8

XFMRS Inc. www.XFMRS.com	Title: Mechanical Dimensions For CAXu1-4MS Series		
	UNLESS OTHERWISE SPECIFIED TOLERANCES: .xxx ±0.010 Dimensions in Inch	P/N: XFATM11B-CAXu1-4MS	REV.B
	DWN.	Juan Mao	Dec-29-07
	CHK.	YK Liao	Dec-29-07
SHEET 2 OF 2	APP.	MS	Dec-29-07

PROPRIETARY:

Document is the property of XFMRS Group & is not allowed to be duplicated without authorization.