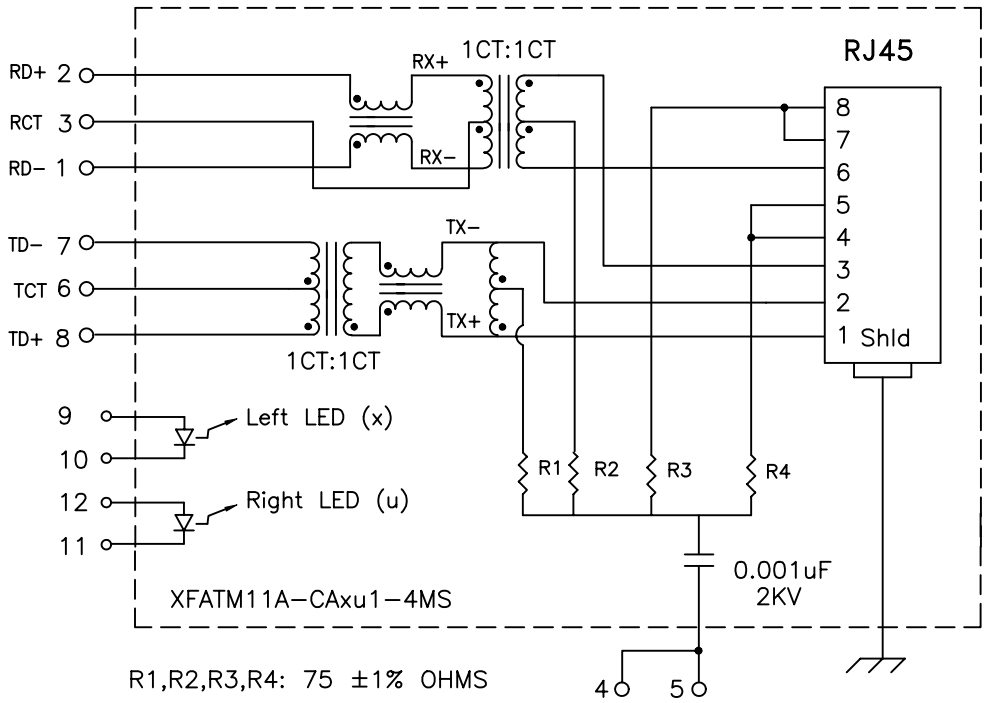


Schematic:



R1,R2,R3,R4: 75 ±1% OHMS

Electrical Specifications: @25°C

UTP Impedance: 100 OHMS

Turns Ratio: TX : 1CT:1CT (±2%) RX : 1CT:1CT (±2%)

Isolation Voltage: 1500 VAC (Input to Output)

UTP Side OCL: 350uH Minimum @100KHz,100mV 8mADC

Insertion Loss (0.3MHz-100MHz): -1.0dB Maximum

Return Loss: 1MHz-30MHz 40MHz 50MHz 60MHz-80MHz
 -18dB Typ -16dB Typ -14dB Typ -12dB Typ

CMRR: 30MHz 60MHz 100MHz
 -35dB Min -30dB Min -25dB Min

Crosstalk: 30MHz 60MHz 100MHz
 -50dB Min -40dB Min -35dB Min

Notes:

1. Solderability: Leads shall meet MIL-STD-202, Method 208D for solderability.
2. Flammability: UL94V-0
3. ASTM oxygen index: > 28%
4. Insulation System: Class F 155°C. UL file E151556
5. Operating Temperature Range: All listed parameters are to be within tolerance from -40°C to +85°C
6. Storage Temperature Range: -55°C to +125°C
7. Aqueous wash compatible
8. SMD Lead Coplanarity: ±0.004"(0.102mm)
9. Moisture Sensitivity: Level 3
10. Electrical and mechanical specifications 100% tested
11. RoHS Compliant Component

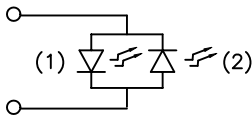
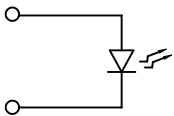
Complete the Combo P/N as follows:

Replace 'x' & 'u' in the part number with one of the LED color letters:

Y=Yellow 'x' = Left LED Color
 G=Green 'u' = Right LED Color
 A=Amber
 R=Red
 C=Green(1)/Amber(2) Bicolor
 D=Amber(1)/Green(2) Bicolor
 M=Green(1)/Yellow(2) Bicolor
 N=Yellow(1)/Green(2) Bicolor
 P=Red(1)/Green(2) Bicolor
 Q=Green(1)/Red(2) Bicolor

Single Color LED:

Bi-Color LED:



DOC. REV: A/4

XFMRs Inc
 www.XFMRs.com

Title: SINGLE PORT COMBO

UNLESS OTHERWISE SPECIFIED

P/N: XFATM11A-CAXu1-4MS

REV. A

TOLERANCES:
 .xxx ±0.010

Dimensions in Inch

DWN.

廖玉坤

Mar-14-05

CHK.

李清儿

Mar-14-05

SHEET 1 OF 2

APP.

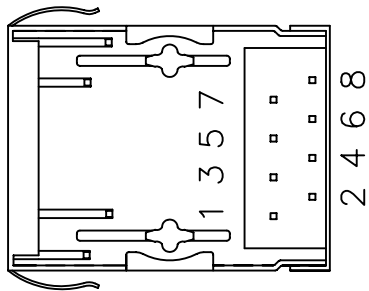
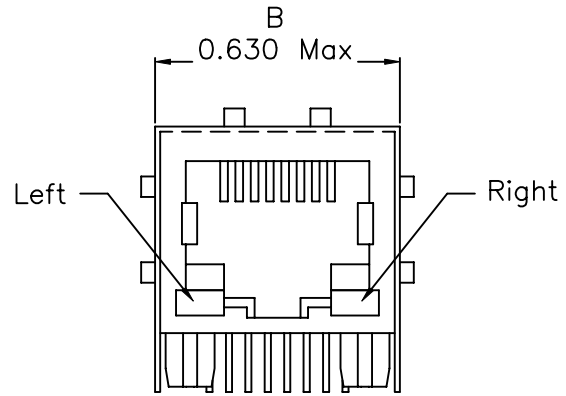
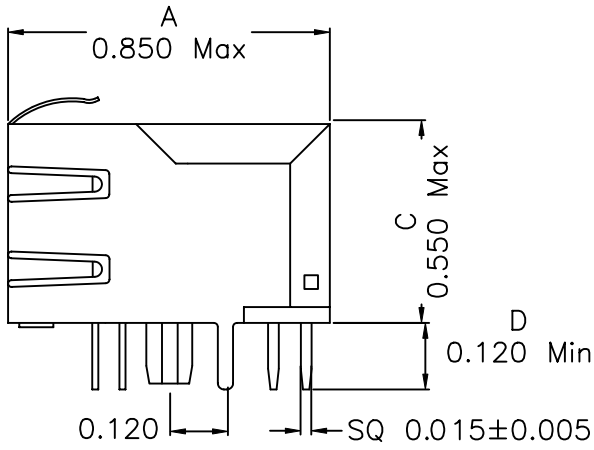
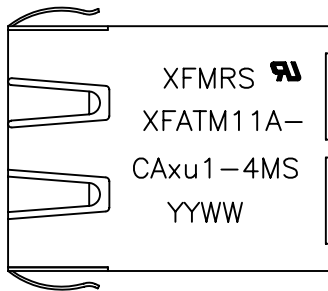
MS

Mar-14-05

PROPRIETARY:

Document is the property of XFMRs Group & is not allowed to be duplicated without authorization.

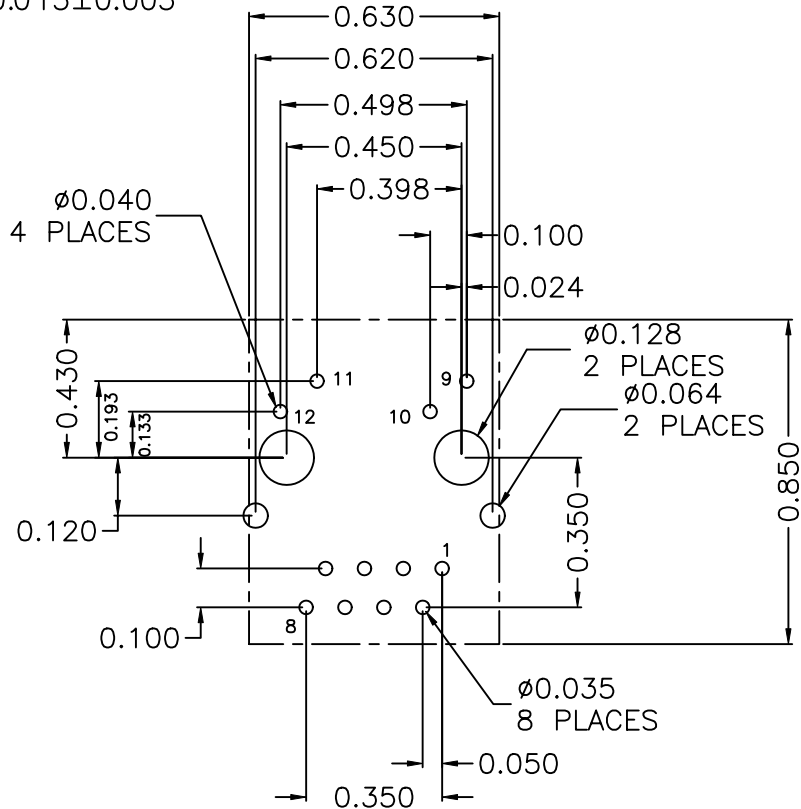
Mechanical Dimensions:



(BOTTOM VIEW)

Mounting Pattern:

(COMP SIDE)



DOC. REV: A/4

XFMR5 Inc
www.XFMR5.com

Title: Mechanical Dimensions
For CAxu1-4MS Series

UNLESS OTHERWISE SPECIFIED
TOLERANCES:
.xxx ±0.010
Dimensions in Inch

P/N: XFATM11A-CAxu1-4MS

REV. A

DWN.

李小锋

Mar-14-05

CHK.

廖玉坤

Mar-14-05

APP.

MS

Mar-14-05

SHEET 2 OF 2

PROPRIETARY:

Document is the property of XFMR5 Group & is not allowed to be duplicated without authorization.