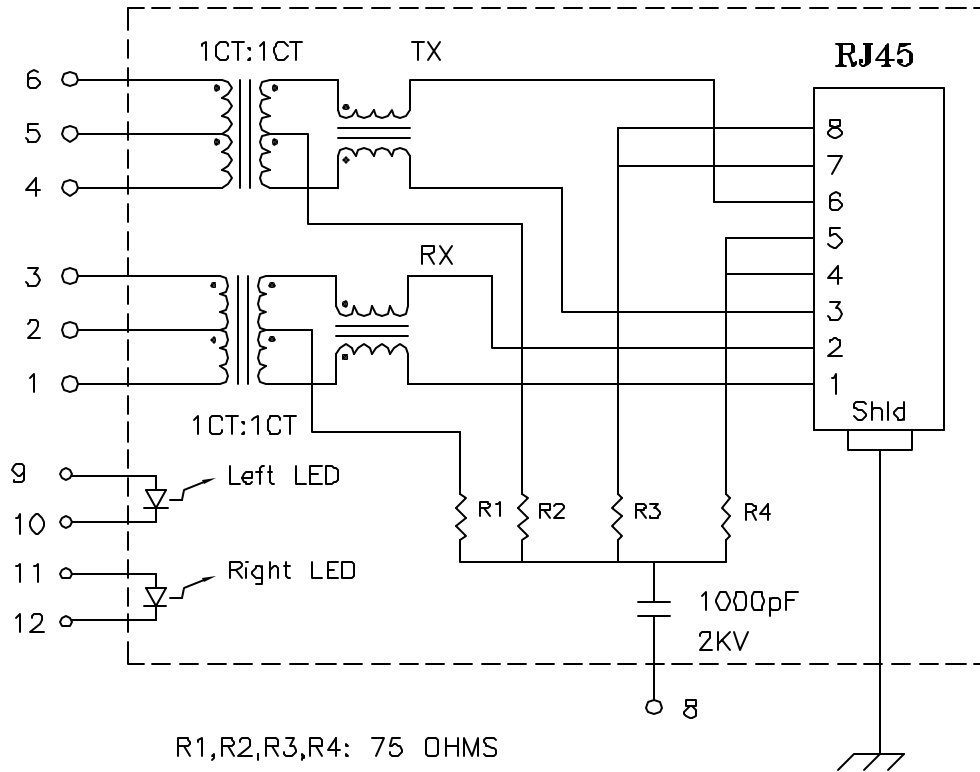


Schematic(LEFT PORT): 10/100Mb



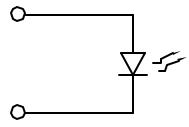
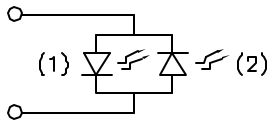
Electrical Specifications: @25°C

- Isolation Voltage: 1500 Vrms (Input to Output)
- Isolation Voltage: 500 Vrms (P1+2+3 to P4+5+6)
- Turns Ratio: TX 1CT:1CT ±3% RX 1CT:1CT ±3%
- CABLE SIDE OCL: 350uH Minimum @100KHz 100mV 8mADC
- Insertion Loss (300KHz-100MHz): -1.0dB Maximum
- Return Loss: @30MHz -20dB Minimum
- @80MHz -15dB Typ

Complete the Combo P/N as follows:

Replace 'x' & 'u' in the part number with one of the LED color letters:

Y=Yellow 'x' = Left LED Color
 G=Green 'u' = Right LED Color
 A=Amber
 R=Red
 N=Yellow(1)/Green(2) Bicolor
 M=Green(1)/Yellow(2) Bicolor

Single Color LED:  Bi-Color LED: 

DOC REV: A/4

Notes:

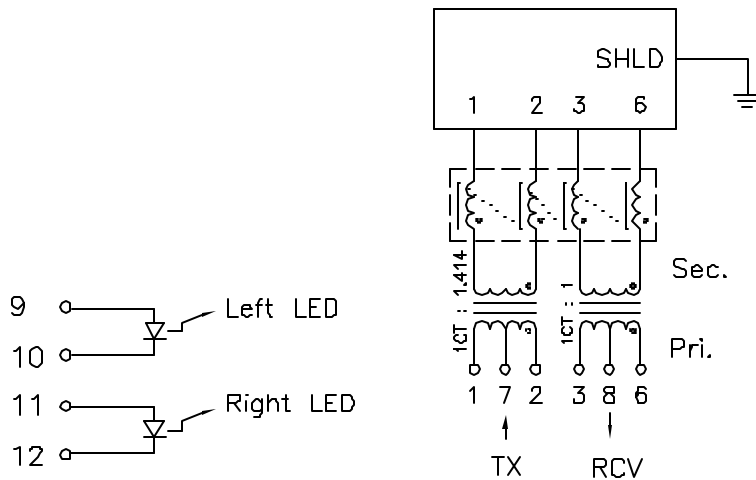
1. Solderability: Leads shall meet MIL-STD-202G, Method 208H for solderability.
2. Flammability: UL94V-0
3. ASTM oxygen Index: > 28%
4. Insulation System: Class F 155°C. UL file E151556
5. Operating Temperature Range: All listed parameters are to be within tolerance from -40°C to +85°C
6. Storage Temperature Range: -55°C to +125°C
7. Aqueous wash compatible
8. Electrical and mechanical specifications 100% tested
9. RoHS Compliant Component

XFMRs Inc. www.XFMRs.com	Title: For CLxu2-4MS Series		
	UNLESS OTHERWISE SPECIFIED TOLERANCES: .xxx ±0.010	P/N: XFATM10B-CLxu2-4MS	REV. A
Dimensions in Inch	DWN. 罗振江	Aug-02-06	
	CHK. 廖玉坤	Aug-02-06	
SHEET 2 OF 3	APP. MS	Aug-02-06	

PROPRIETARY:

Document is the property of XFMRs Group & is not allowed to be duplicated without authorization.

Schematic(RIGHT PORT): 10Base-T



Electrical Specification: @25°

Isolation: 1500 Vrms (PRI to SEC)

Isolation: 500 Vrms (TX to RCV)

Turns Ratio: 1CT:1.414 ±2% (TX) 1CT:1 ±2% (RCV)

OCL: (P6-P3)=(J6-J3), 200uH Min @10KHz 10mV

(P2-P1), 100uH Min @10KHz 10mV

LL: (P6-P3), 0.3uH Max @1MHz 10mV with J6 & J3 shorted

(P2-P1), 0.3uH Max @1MHz 10mV with J2 & J1 shorted

Cw/w: (P6,P3) to (J6,J3), 20pF Max @1MHz 10mV

Cw/w: (P2,P1) to (J2,J1), 20pF Max @1MHz 10mV

DCR: (J6-J3)=(J2-J1), 1.0 Ohms Max

DCR: (P6-P8)=(P8-P3), 0.5 Ohms Max

DCR: (P2-P7)=(P7-P1), 0.3 Ohms Max

CMR CHOKE OCL: 18uH Typical @100KHz 50mV

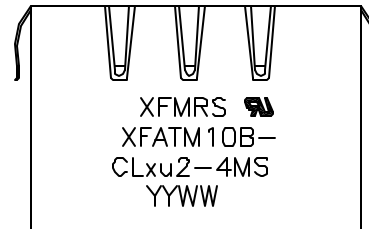
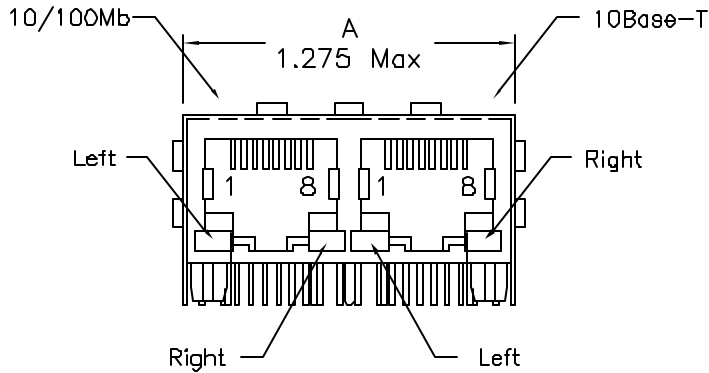
DOC REV: A/4

PROPRIETARY:

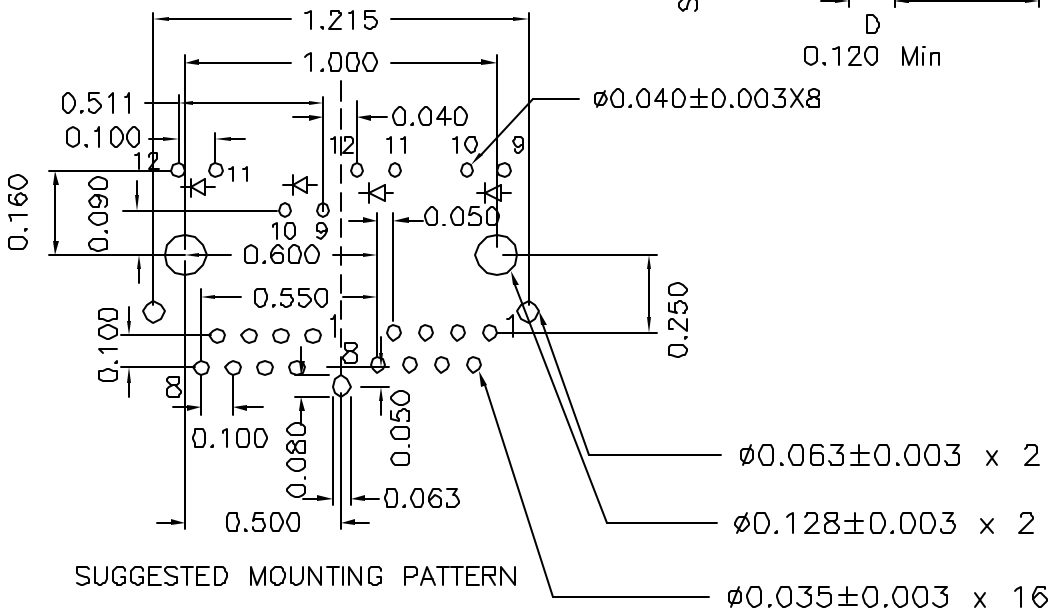
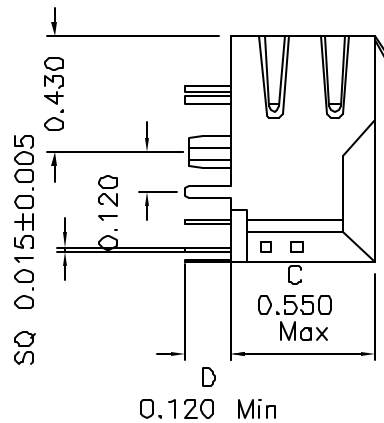
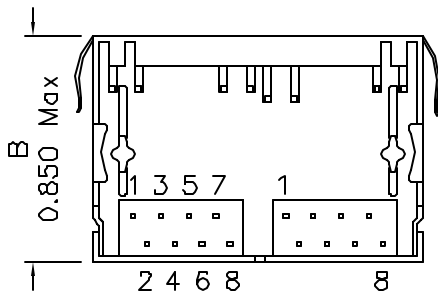
Document is the property of XFMRS Group & is not allowed to be duplicated without authorization.

XFMRS Inc. www.XFMRS.com		Title: For CLxu2-4MS Series	
UNLESS OTHERWISE SPECIFIED		P/N: XFATM10B-CLxu2-4MS	REV. A
TOLERANCES: .xxx ±0.010		DWN. 罗振江	Aug-02-06
Dimensions in Inch		CHK. 廖玉坤	Aug-02-06
SCALE 1.5:1 SHT 3 OF 3		APP. MS	Aug-02-06

Mechanical Dimensions: (FOR CLxu2-4MS)



TOP VIEW



XFMR5 Inc. www.XFMR5.com	Title: Mechanical Dimensions For CLxu2-4MS Series	
	P/N: XFATM10B-CLxu2-4MS	REV. A
UNLESS OTHERWISE SPECIFIED TOLERANCES: .xxx ±0.010 Dimensions in Inch	DWN. Juan Mao	Aug-02-06
	CHK. 廖士坤	Aug-02-06
SHEET 2 OF 2	APP. MS	Aug-02-06

DOC REV: A/4

PROPRIETARY:

Document is the property of XFMR5 Group & is not allowed to be duplicated without authorization.