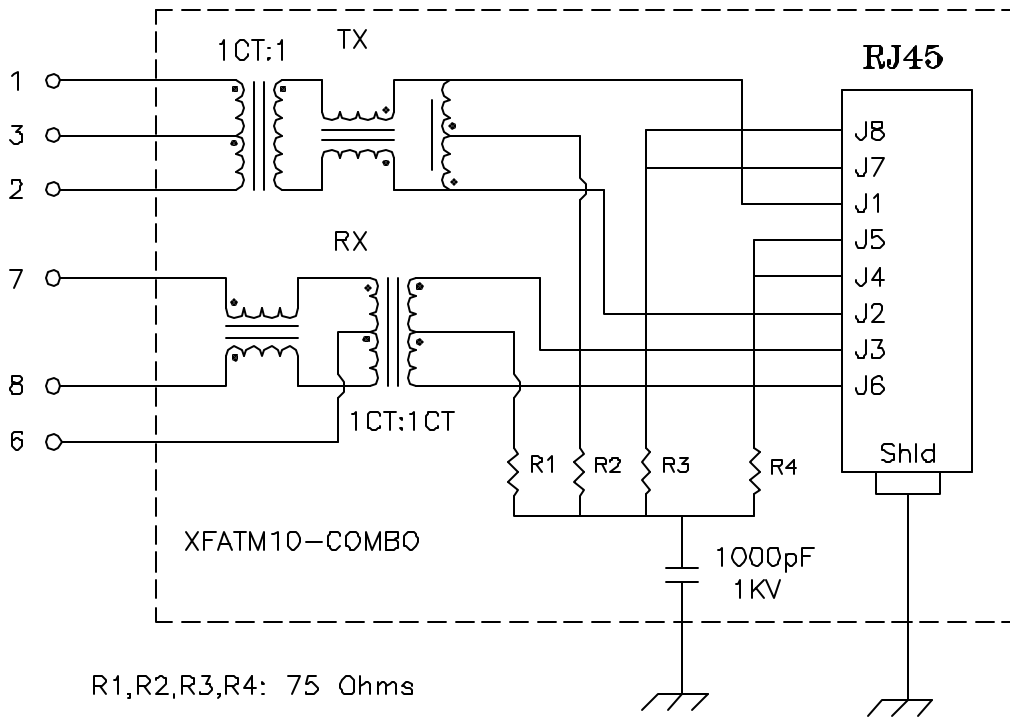


Schematic:



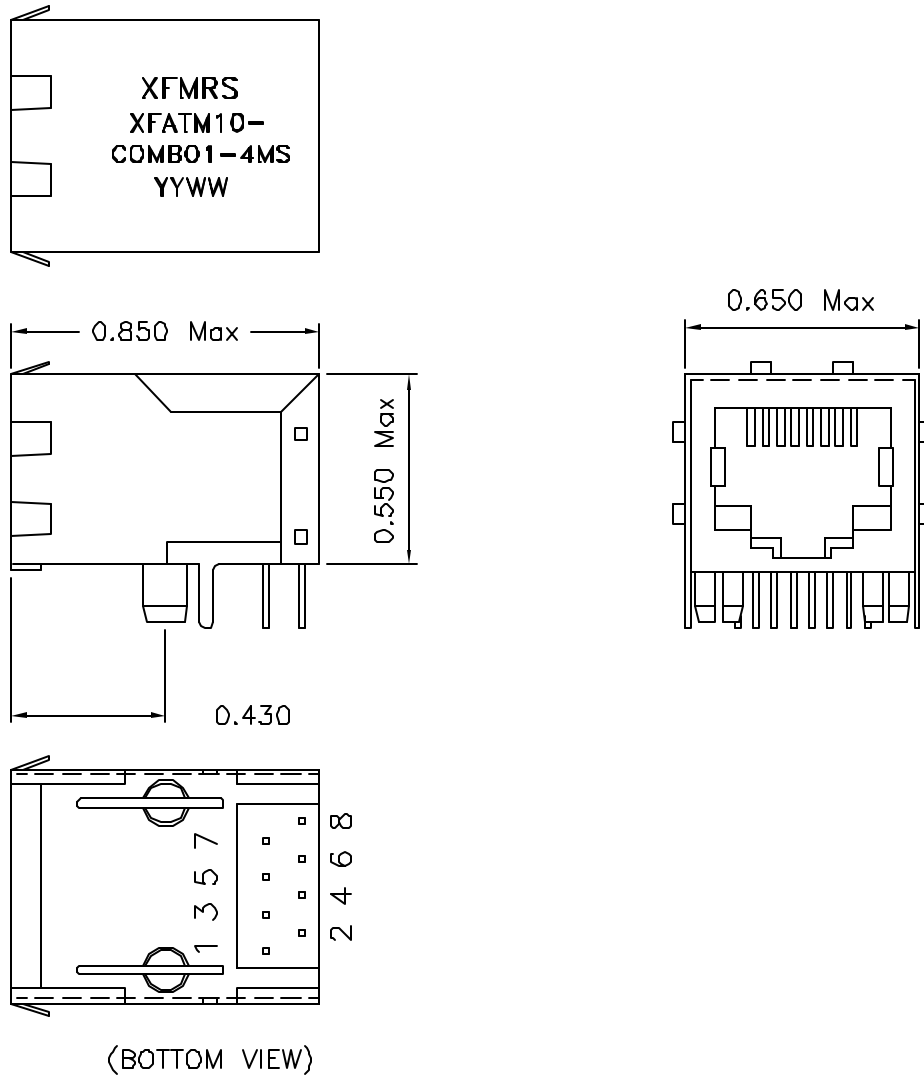
Electrical Specifications: @25°C

- Isolation Voltage: 1500 Vrms
- Isolation Voltage: 500 Vrms 1+2+3 to 6+7+8
- URNS RATIO: TX 1CT:1 ±5% RX 1CT:1CT ±5%
- UTP SIDE OCL: 350uH Minimum @100KHz 100mV 8mADC
- Insertion Loss {300KHz-100MHz}: -1.0dB Typical
- Return Loss: 30MHz -16dB Typical
 - 60MHz -12dB Typical
 - 80MHz -10dB Typical
- CROSSTALK: 32MHz -40dB Minimum
 - 62MHz -35dB Minimum
 - 100MHz -35dB Minimum

DOC. REV A/1

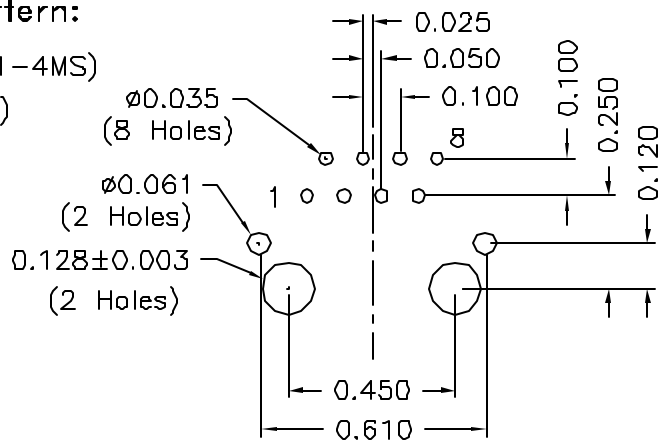
XFMRs Inc.	Title: SINGLE PORT COMBO		
	UNLESS OTHERWISE SPECIFIED		P/N: XFATM10-COMBO1-4MS
	TOLERANCES:		REV. A
	.xxx ±0.010		DWN. 廖玉坤 Oct-29-01
	Dimensions in Inch		CHK. 李清儿 Oct-29-01
SHEET 1 OF 2		APP. Isaiah M Oct-29-01	

Mechanical Dimensions:



Mounting Pattern:

(FOR COMBO1-4MS)
(COMP SIDE)



XFMR5 Inc.		Title: Mechanical Dimensions For COMBO1-4MS Series	
UNLESS OTHERWISE SPECIFIED TOLERANCES: .xxx ±0.010 Dimensions in Inch	XFATM10-COMBO1-4MS		REV. A
	DWN.	廖玉坤	Oct-29-01
	CHK.	李清儿	Oct-29-01
SHEET 2 OF 2	APP.	Isaiah M	Oct-29-01

DOC. REV: A/1